
BuzziTable

Product Specification Sheet

This document contains technical information about the BuzziTable



www.buzzi.space



An effortless signature





Subtle, yet resilient. The straightforward character of BuzziTable is its force. With an oval-shaped tabletop and supporting structure refined to the essentials, this design leaves behind an effortless signature.

The sideless silhouette brings everyone together, leaving no-one out of the conversation. Compared to other communal furniture and worktops, BuzziTable has a lightweight appearance, giving the illusion of a floating tabletop with the rounded corners vanishing below the surface.

Available in a variety of materials and colors to easily accommodate a range of different styles and spaces—from communal to hospitality spaces and meeting areas. No matter the space, BuzziSpace makes a statement without being flamboyant. It is proof that less is more.

Design by Alain Gilles

General

-  BuzziTable Medium | Large
-  Worktop: Linoleum or Ceramic
Base: solid wood in Ash Black Stained or Ash White Wash
-  Dry use
-  Flat Packed

Certifications



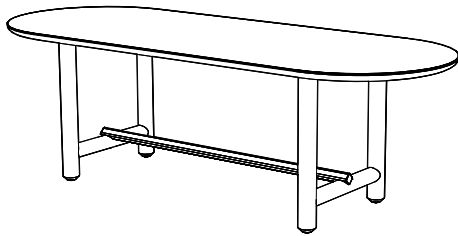
PEFC™ PEFC/07-32-385

Content

Configurations	3
Components	4
Finishes	5
Electrification	6
Dimensions	8
Wood Disclaimer	10

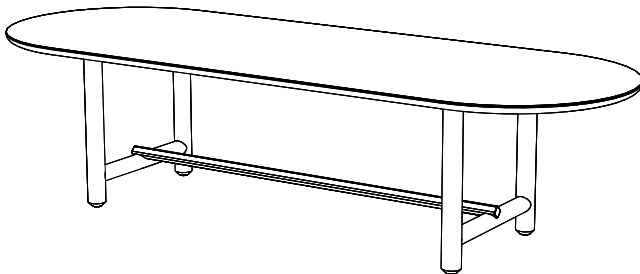
Configurations

Medium



- Worktop: Linoleum or Ceramic
- 🌲 Base: solid wood in Ash Black Stained or Ash White Wash
- H: 75 cm - 29.53"
- ✂ L: 240 cm - 94.49"
- D: 90 cm - 35.43"
- Table with linoleum top:
86 kg - 189.30 lbs
- ⚖ Table with White, Gold or Brown ceramic top:
107 kg - 235.89 lbs
- Table with Blue ceramic top:
131 kg - 288.81 lbs
- ⋮ Electrification and wire management optional

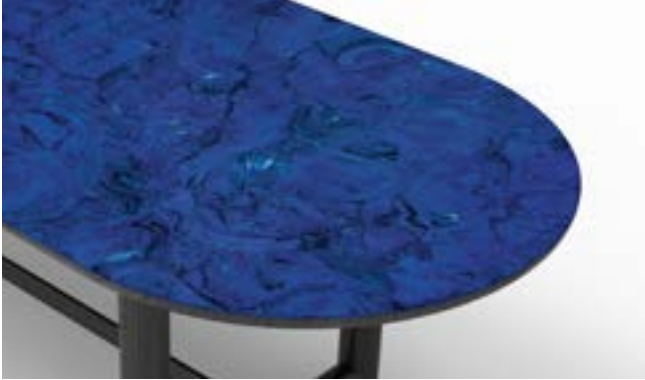
Large



- Worktop: Linoleum or Ceramic
- 🌲 Base: solid wood in Ash Black Stained or Ash White Wash
- H: 75 cm - 29.53"
- ✂ L: 300 cm - 118.11"
- D: 108 cm - 42.52"
- Table with linoleum top:
120 kg - 264.55 lbs
- ⚖ Table with White, Gold or Brown ceramic top:
151 kg - 332.90 lbs
- Table with Blue ceramic top:
187 kg - 412.26 lbs
- ⋮ Electrification and wire management optional

Components

Tabletop



Linoleum

Table Thickness 4,2 cm

Ceramic

Table thickness 4,5 cm

See page 5 for finishes

Base



The BuzziTable Base is always made of wood (Ash).

See page 5 for finishes

Cable Entry



Cable entry cutouts optional

Finishes

Wood



Ash White Wash

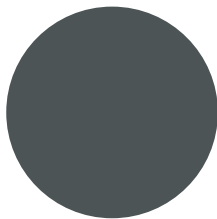


Ash Black Stained

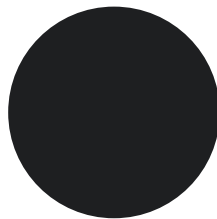
Linoleum



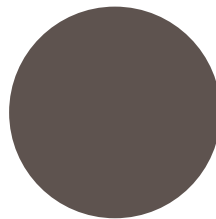
Powder



Pewter



Nero



Mauve

Ceramic



Blue



Brown



White

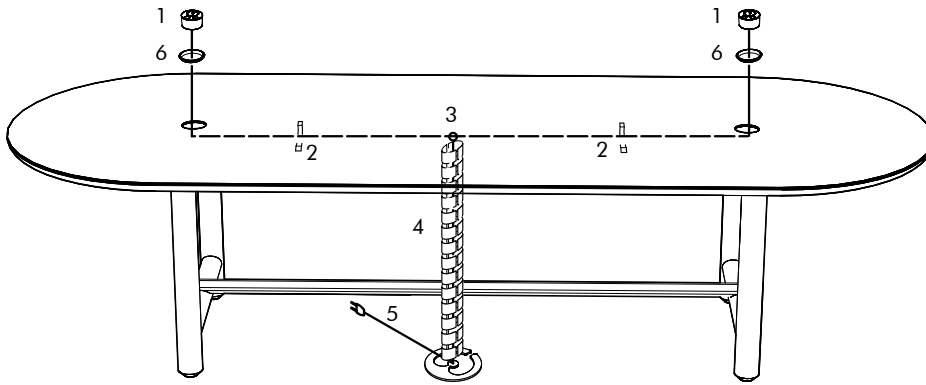


Gold

Electrification (optional)

Netbox Point Double

Optional for all BuzziTable worktops with two Ø 8 cm | 3.15" holes



- | | | |
|----|---|----|
| 1. | Electrification Unit (2x 1,4 m 55.12" Cable length) | 2x |
| 2. | Horizontal Cable Clips | 2x |
| 3. | Central Connection Block | 1x |
| 4. | Vertical Cable Manager | 1x |
| 5. | Power Cable (3 m 118.11" Cable length) | 1x |
| 6. | Cable entry cover | 2x |

* Can be ordered excl. wire management

Electrification Unit

An electrification unit can be ordered for different regions.

Each electrification unit includes a HDMI, DATA and USB module. It can be configured (by the customer) by snapping HDMI, DATA and/or USB in the grey zone.

- | | | |
|---|--|-----------|
| F | | NL DE LUX |
| E | | BE FR |
| G | | UK |
| B | | US |



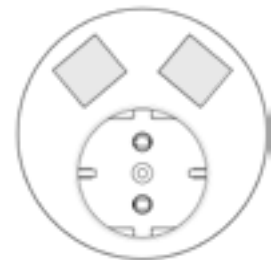
HDMI



DATA



USB



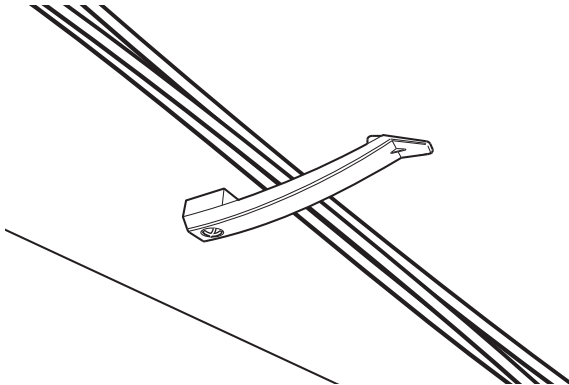
Cable entry cover

Available in black or alu



Horizontal Cable Clips

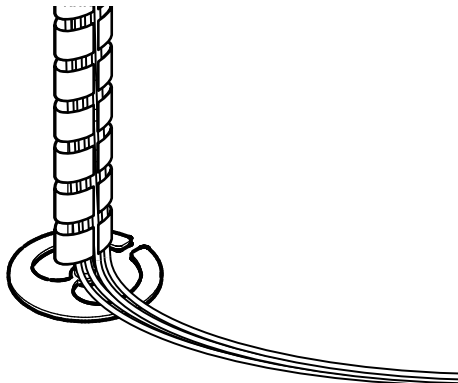
Color Grey
Can guide up to 8 cables 3G1,5



Vertical Cable Manager

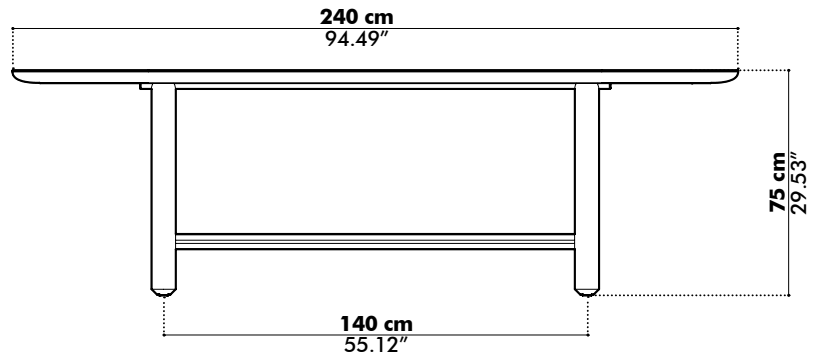
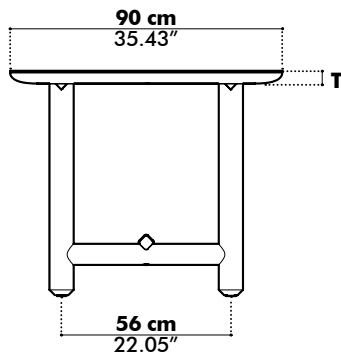
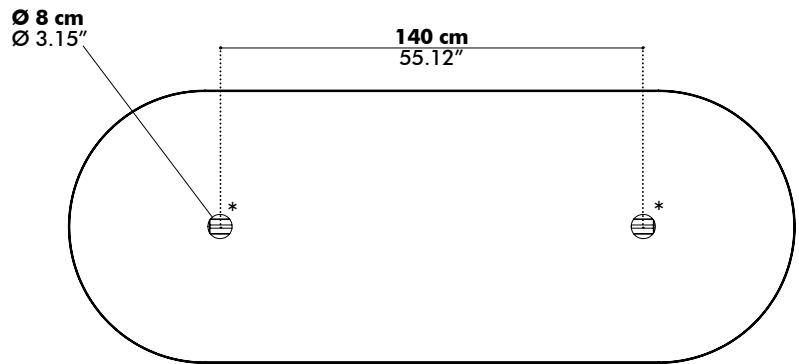
Color: Black
Set for Worktop H 75 cm | 29.53": 16 chains
Set for Worktop H 108 cm | 42.52": 27 chains

- 1 set includes:
vertical cable runs, baseplate, table attachment,
screw set
- Capacity up to ± 40 cables
- Material polypropylen (cable runs)
painted steel (baseplate)
- 2 chamber system
- Cables using the easy zip principle



Dimensions

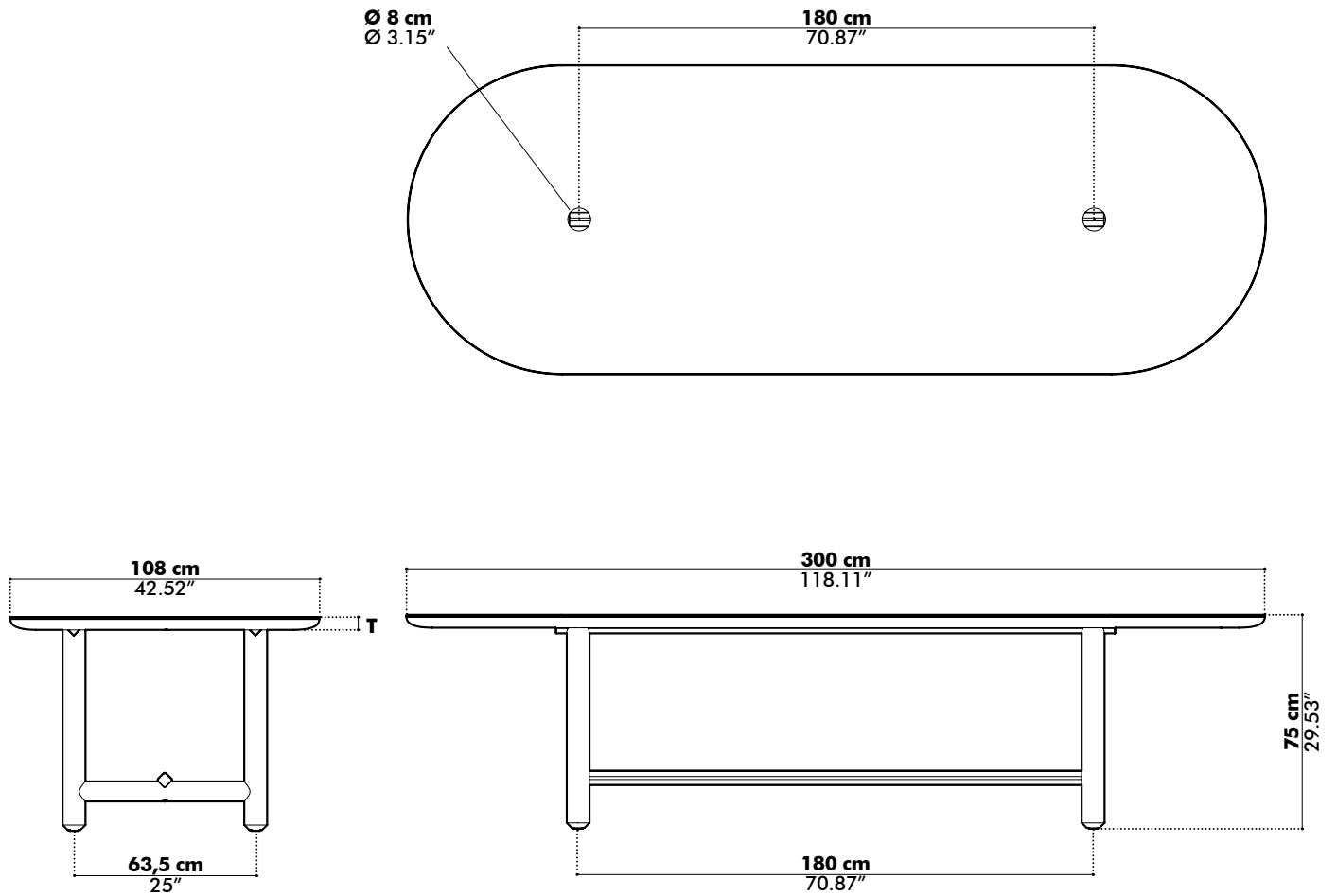
Medium



T	Linoleum	4,2 cm 1.65"
	Ceramic	4,5 cm 1.77"

*Cable entries | cutouts for electrification are optional

Large



T	Linoleum	4,2 cm 1.65"
	Ceramic	4,5 cm 1.77"

*Cable entries | cutouts for electrification are optional

Wood Disclaimer

Every tree is unique

Wood is a natural product and has variations. While we do our utmost to provide you with the finest and almost identical wood products, it is almost impossible to find two trees that are alike.

Following from the organic nature of wood, it develops its own character throughout the growth process, which is reflected in color, knots and structure. Every tree is unique, and therefore slight variations will appear in every piece of furniture.

The role of humidity

Over time, all wood products will absorb and release moisture. Consequently, humidity plays a crucial role in the right treatment of your wood products. Under dry conditions, low humidity levels, the wood shrinks and small cracks and splits can occur. On the contrary, high humidity levels will make the wood expand and restore cracks caused by dry conditions.

Please be aware, even weather changes can potentially prompt changes in wood, especially during months of high humidity levels and opposite during winter times when additional indoor heating is used, thereby making the air dryer.

Therefore, we advise to ensure a constant level of humidity through the use of humidifiers or water evaporators. Ideally, the indoor humidity levels must be between 50% and 60%.

Take good care of your wood products

To ensure maximum lifetime of wood products, good maintenance is key. Therefore, we would like to highlight a few measures you can take to avoid any unnecessary changes and/or damages to your products.

By placing your wood products in direct sunlight, color differences may occur over time. The same holds true for tableware that is placed on a table. Avoid placing any hot objects directly on the wood as this may cause rings to form.

As stated previously, wood is sensitive to moisture. Therefore, wipe off any excessive liquids immediately. Clean stain and veneer wood with a damp cloth, and if necessary, use an appropriate cleaning agent. Don't use any shaving or polishes that contain silicone as this may prompt permanent stains.

Remember, all types of wood are organic materials and the creation of small cracks and splints are natural consequences. Therefore, complaints that can be derived from this, will not be accepted