

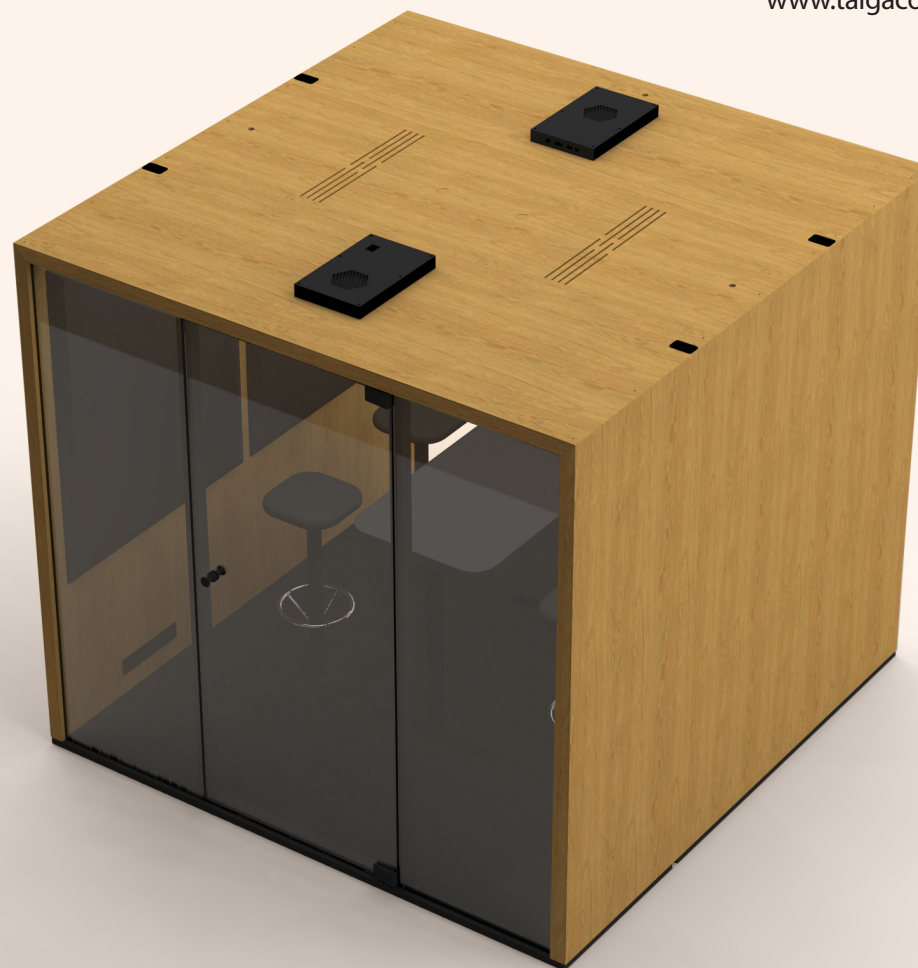
ASSEMBLY GUIDE

LOHKO BOX 5



TAIGA[®]
C O N C E P T

www.taigaconcept.com



Installation

Open the packing carefully not to damage the product.

Always follow assembly instruction when you assemble your product.

When moving the glass elements make sure you don't place them on hard surfaces as they will break easily.

When assembling the product make sure you can support the wall element until they are stable.

Taiga Concept recommend to use authorized installation persons and will not take responsibility for any harm to persons or goods due to irresponsible actions.

Product may have some smell after assembling but it will disappear in few weeks.

Before installation find out your country fire regulation and contact your local Taiga dealer.

Do not carry out your own modifications to the product, as it will automatically end warranty.

Check building / floor weight capacity before assembling the products.

Maintenance

After assembling the product, wipe all surfaces with clean damp cloth. Avoid using too much water, as it will damage the product. Prolonged direct sunlight may change the color of wooden surfaces over time.

Check tightness of hinges and door position every six month.

Choosing location

Always place the product inside the building.

Room temperature needs to be minimum 10°C.

Do not place the product to space that is wet or where has high humidity.

Place the product so that the minimum space between roof element and ceiling needs to be at least 10 cm. Building ceiling height minimum of 230 cm.

When placing the product make sure the door will not block any walkway and that it does not damage when open.

Maximum floor deflection $\leq 0,7^\circ$ degree / meter.

Warranty / Contact

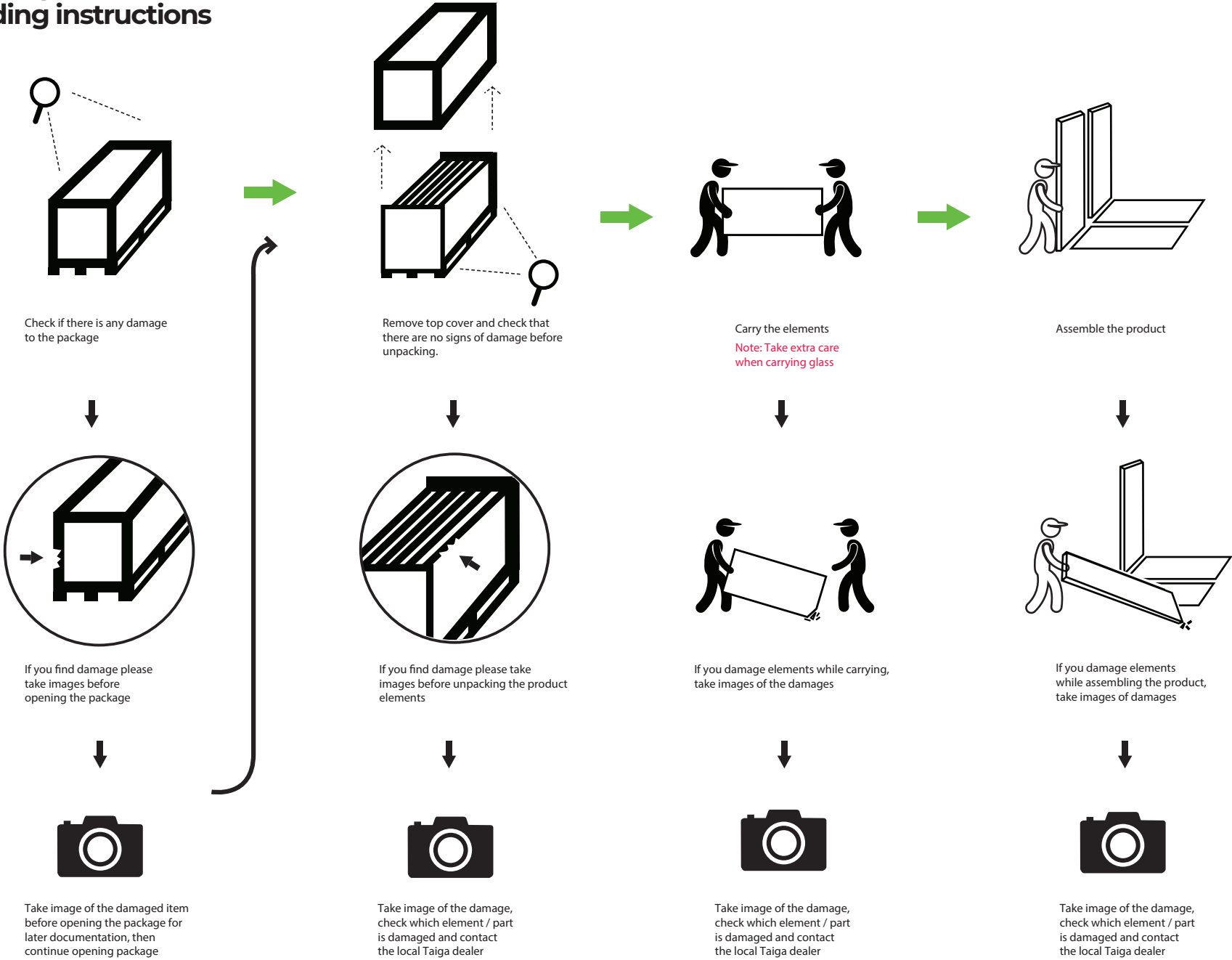
Upon successful installation please inform the local Taiga dealer to activate the warranty.

Warranty is not valid if assembly has been carried out in contradiction to the installation guide.

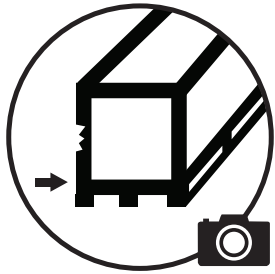
It is recommended to use Taiga Concept local dealers authorized assembling person.

If you have any questions or problems during installation, please contact your local Taiga dealer.

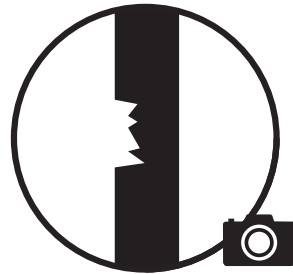
If you find damage, document with photos according instructions



How to document if you find damage in package



1. Take images where you can see full package from 2 different angles which show the damage

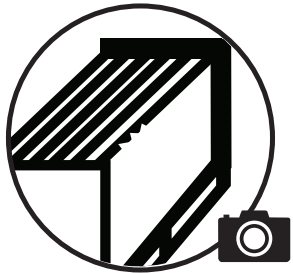


2. Take closer images of the damage

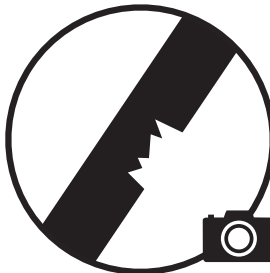


3. Contact your local Taiga dealer

How to document if you find damage in the product



1. Take images where you can see full package from 2 different angles which show the damage

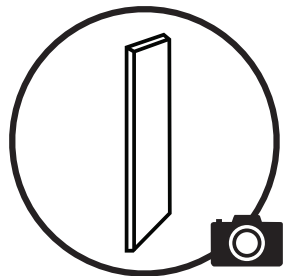


2. Take closer images of the damage



3. Contact your local Taiga dealer

How to document if you cause damage while carry or assembling the product



1. Take images where you can see the whole element from 2 different angles which show the damage

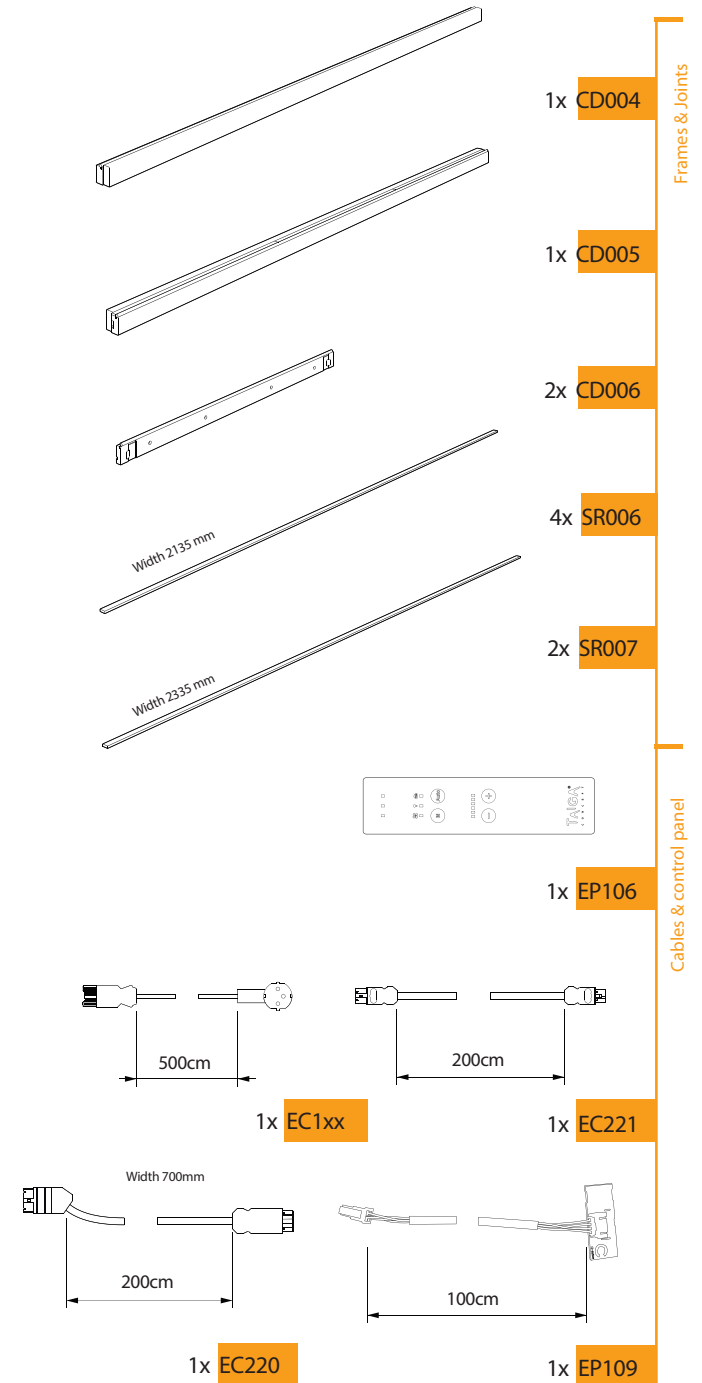
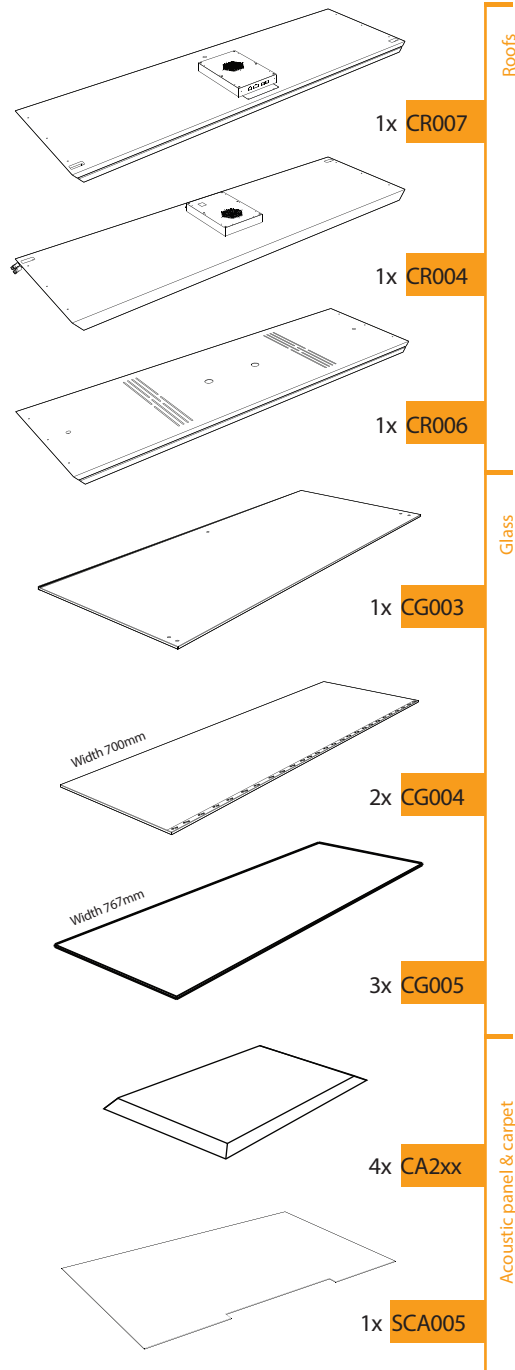
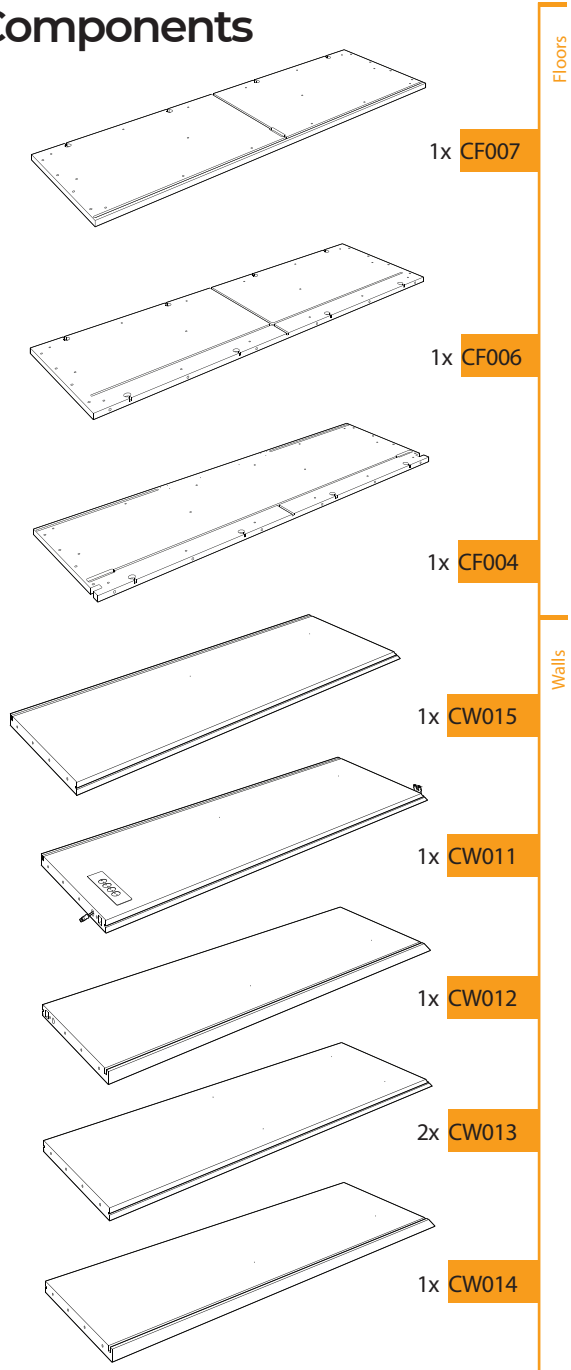


2. Take closer images of the damage and check which element / glass is damaged.

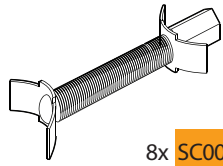


3. Contact your local Taiga dealer

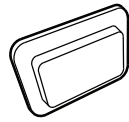
Elements & Components



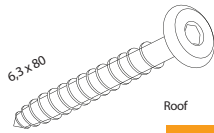
Elements & Components



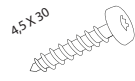
8x **SC006**



Roof
4x **SR001**



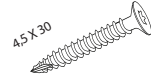
Roof
18x **SC001**



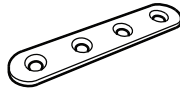
Doorframe & acoustic panel
24x **SC002**



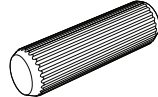
Wall connector plate
16x **SC003**



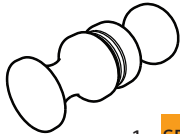
Hinges
4x **SC005**



4x **SF006**



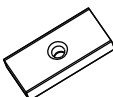
60x **SR003**



1x **SF001**



1x **SF003**

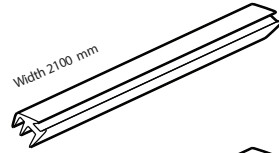


3x **SM001**

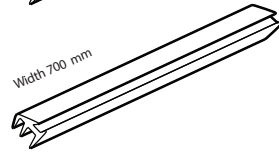


8x **SF002**

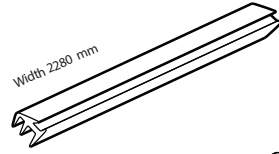
Screws & Accessories



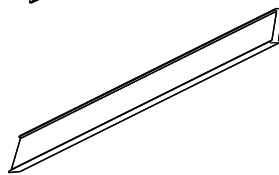
Width 2100 mm
4x **SS002**



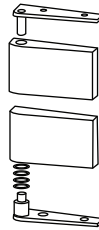
Width 700 mm
4x **SS003**



Width 2280 mm
2x **SS004**



2x **SS005**



1x **SH00x**

Seals

Equipments & tools



Gloves



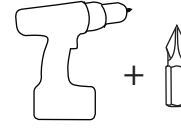
Safety glasses



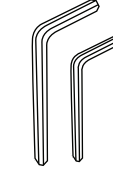
Safety shoes



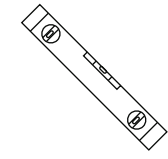
Safety helmet



Screw machine + bits



Hex key set



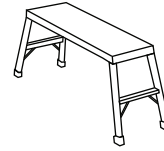
Spirit leveler



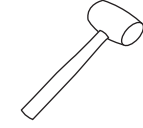
Small adjustable wrench



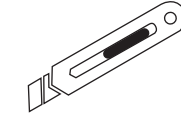
2x Glass suction cup
min weight capacity 50 kg / pcs



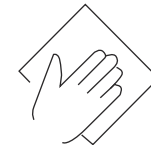
Step ladder



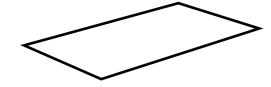
Rubber hammer



Carpet knife

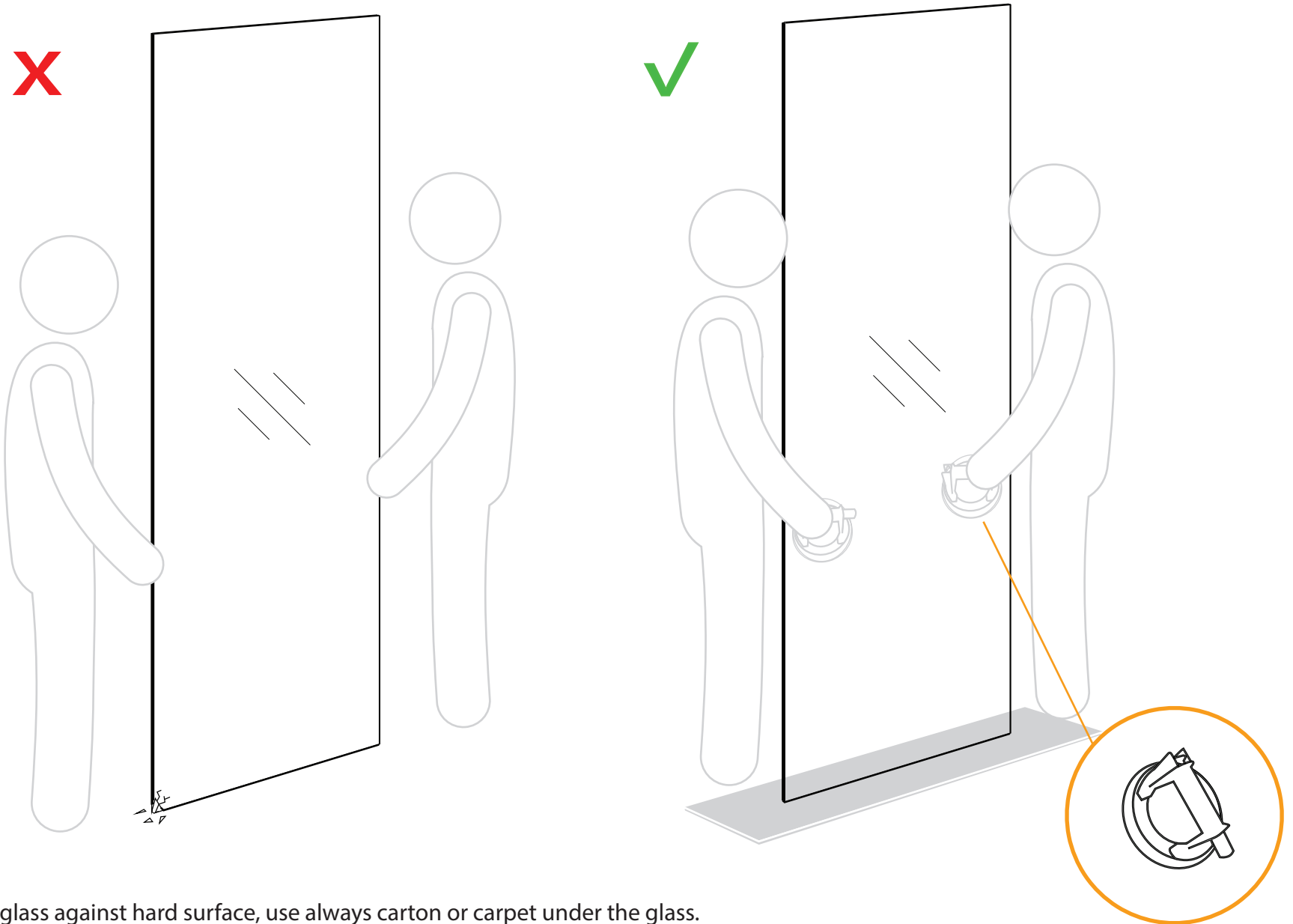


Cleaning tools

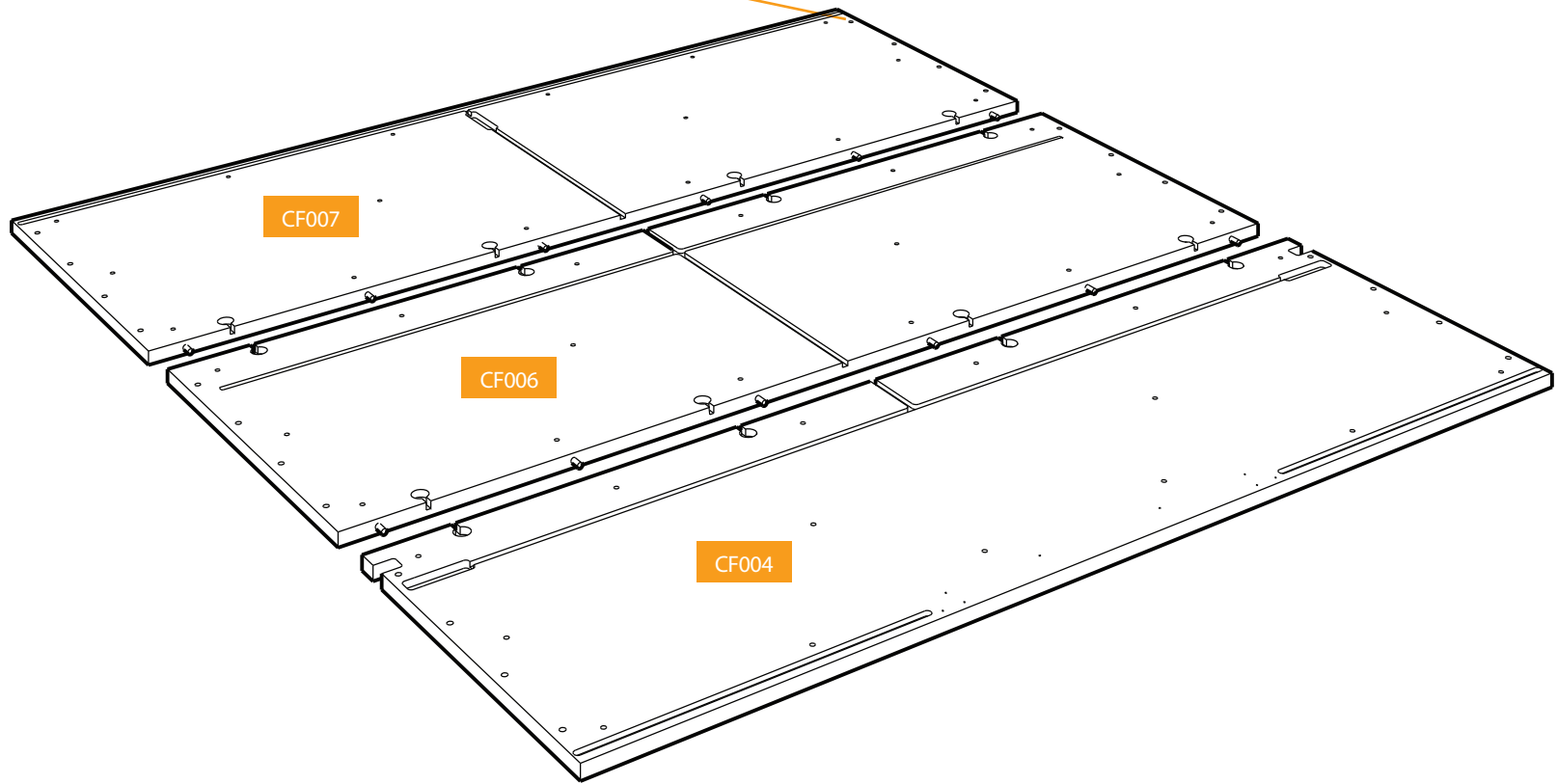
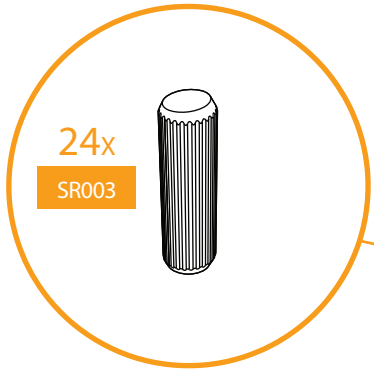


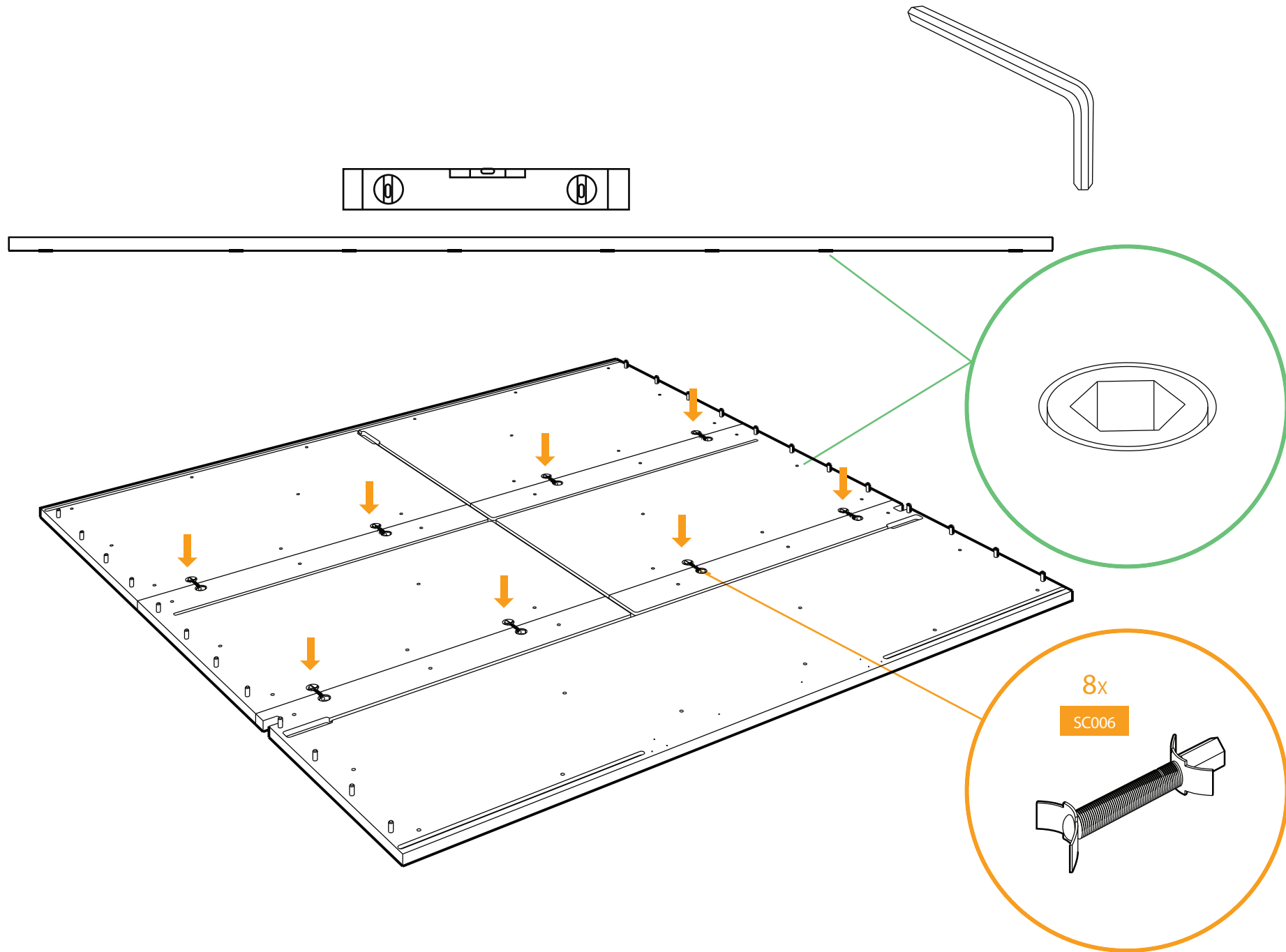
Protection material for elements and glasses

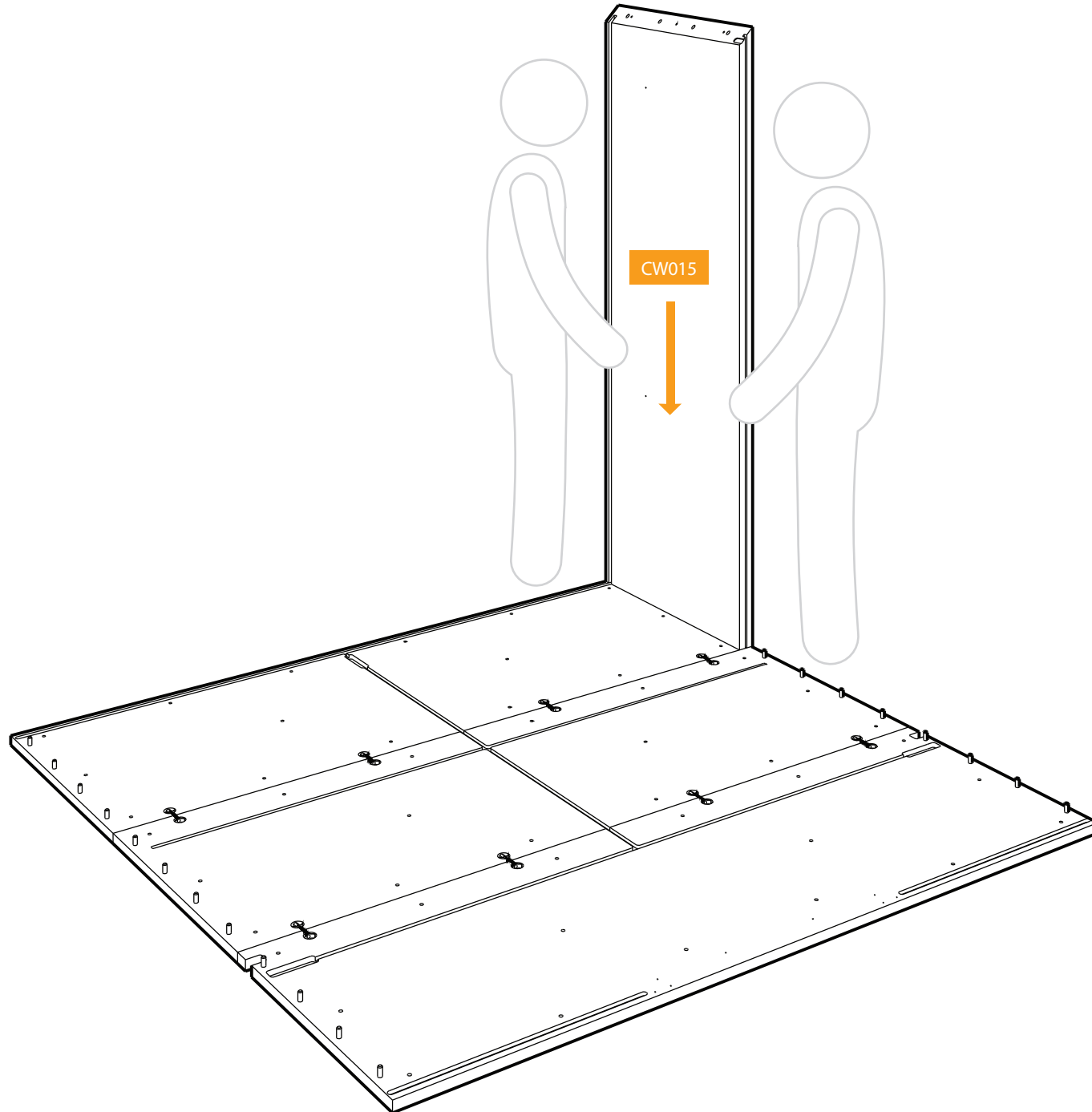
ATTENTION

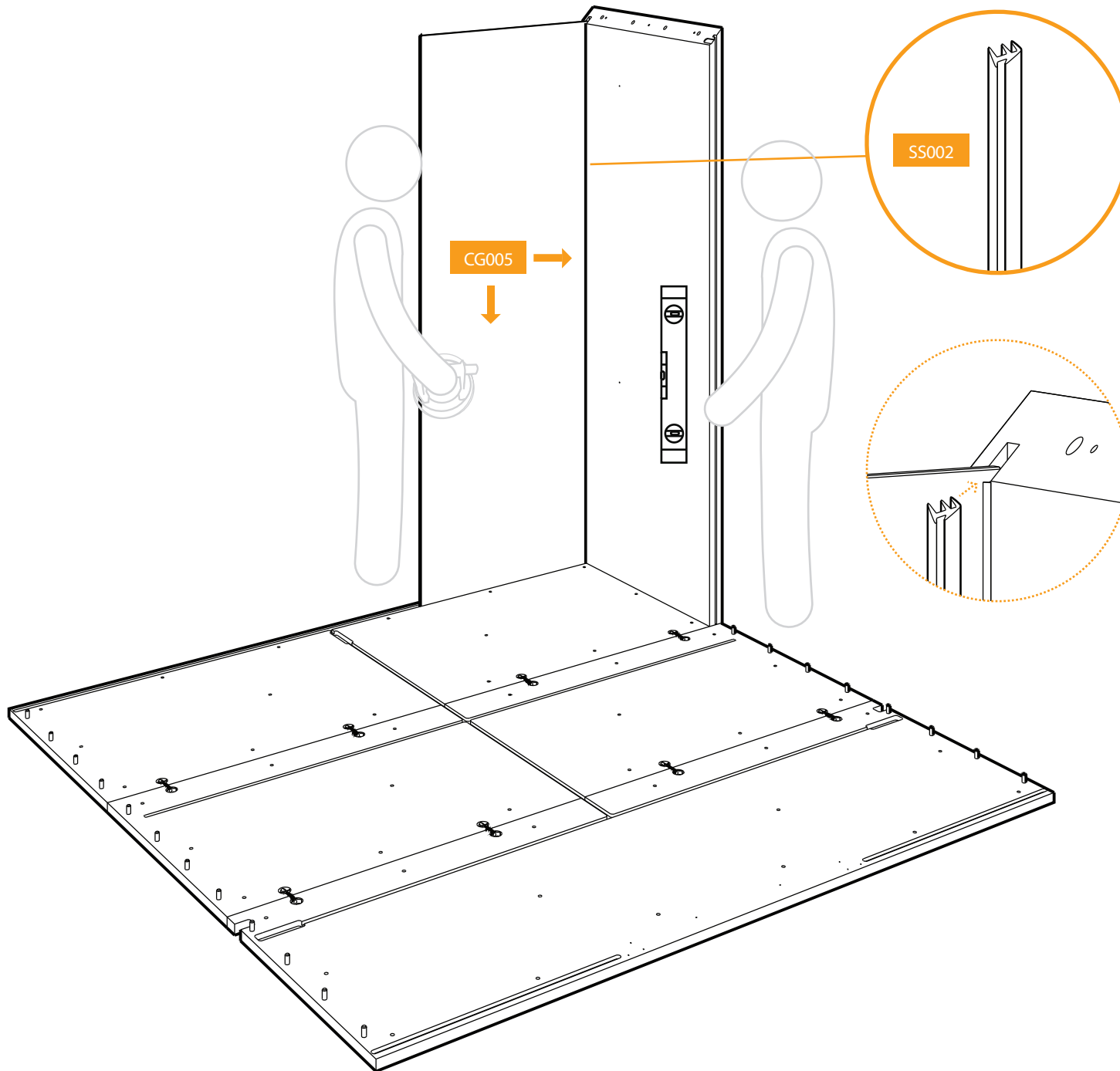


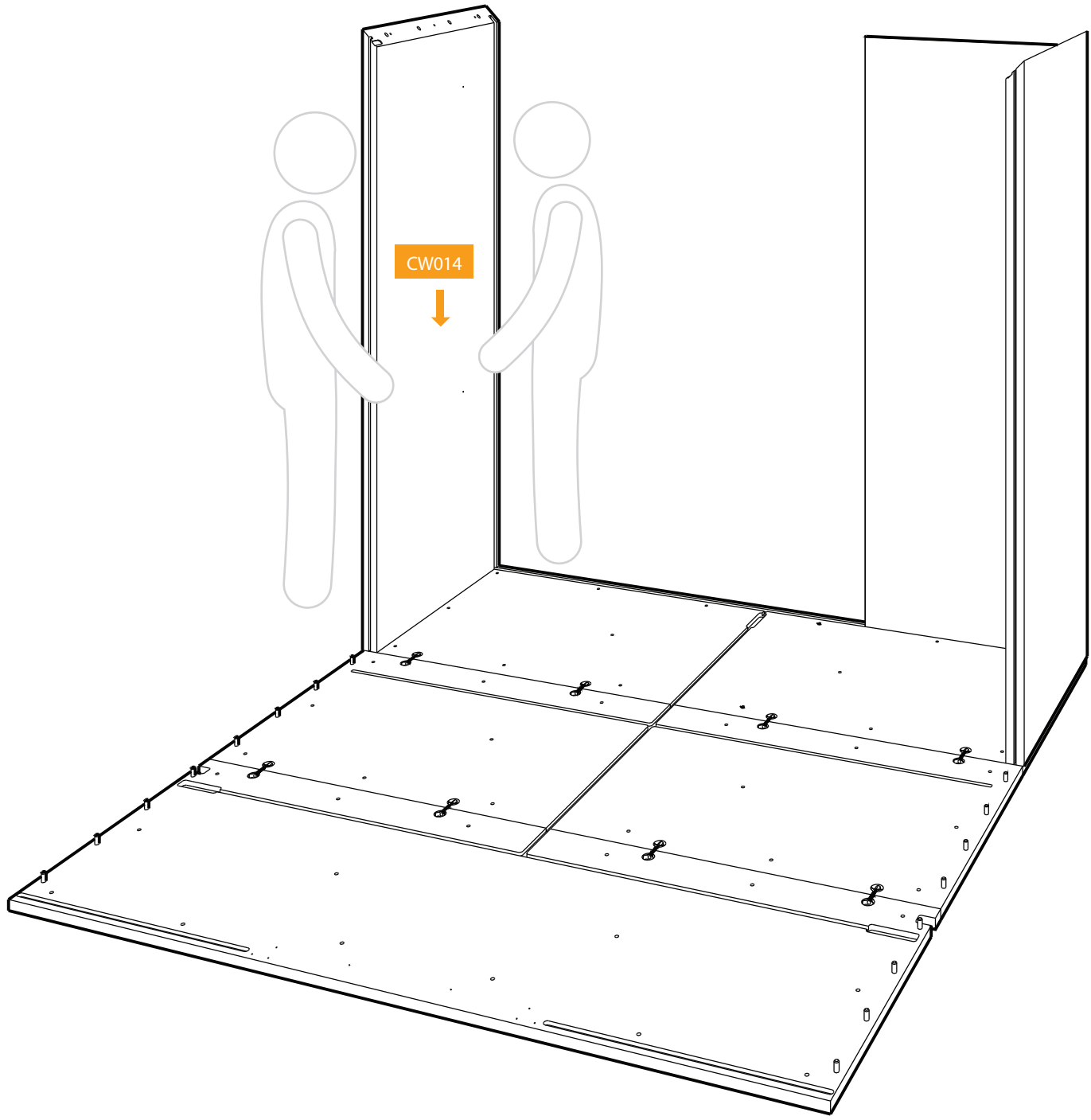
Never put glass against hard surface, use always carton or carpet under the glass.
Use always 2 person and suction cups to lift glass

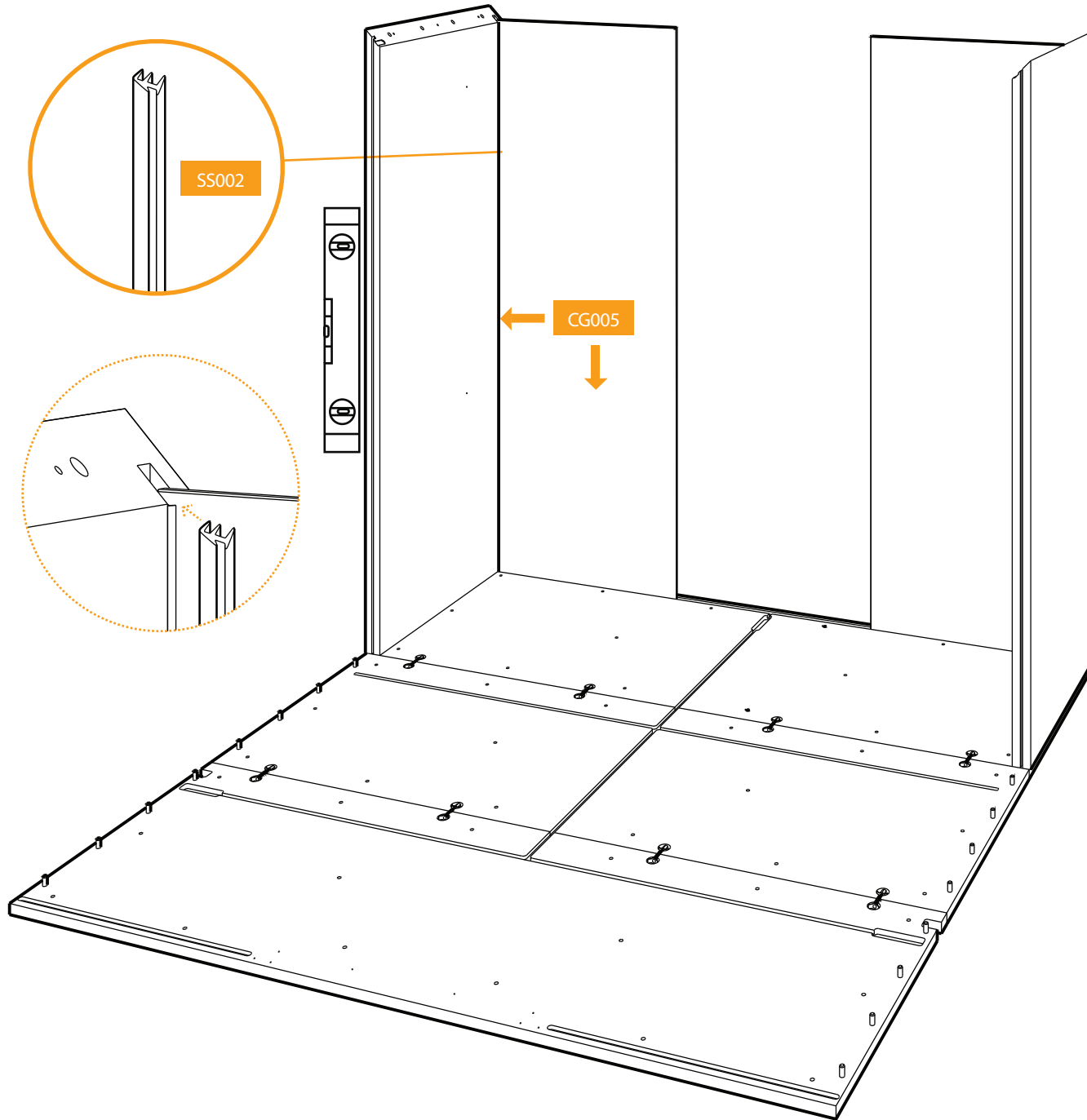


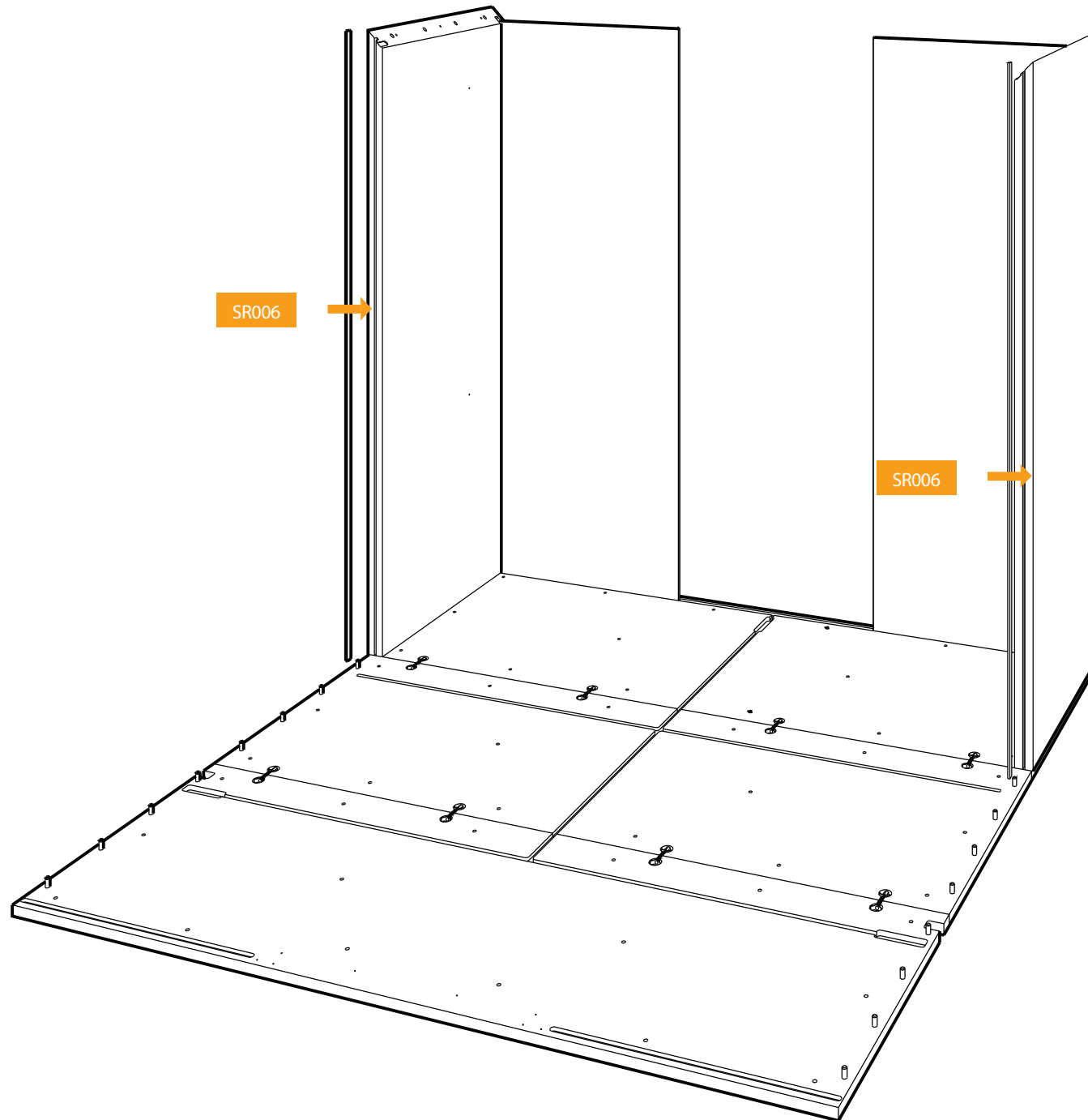


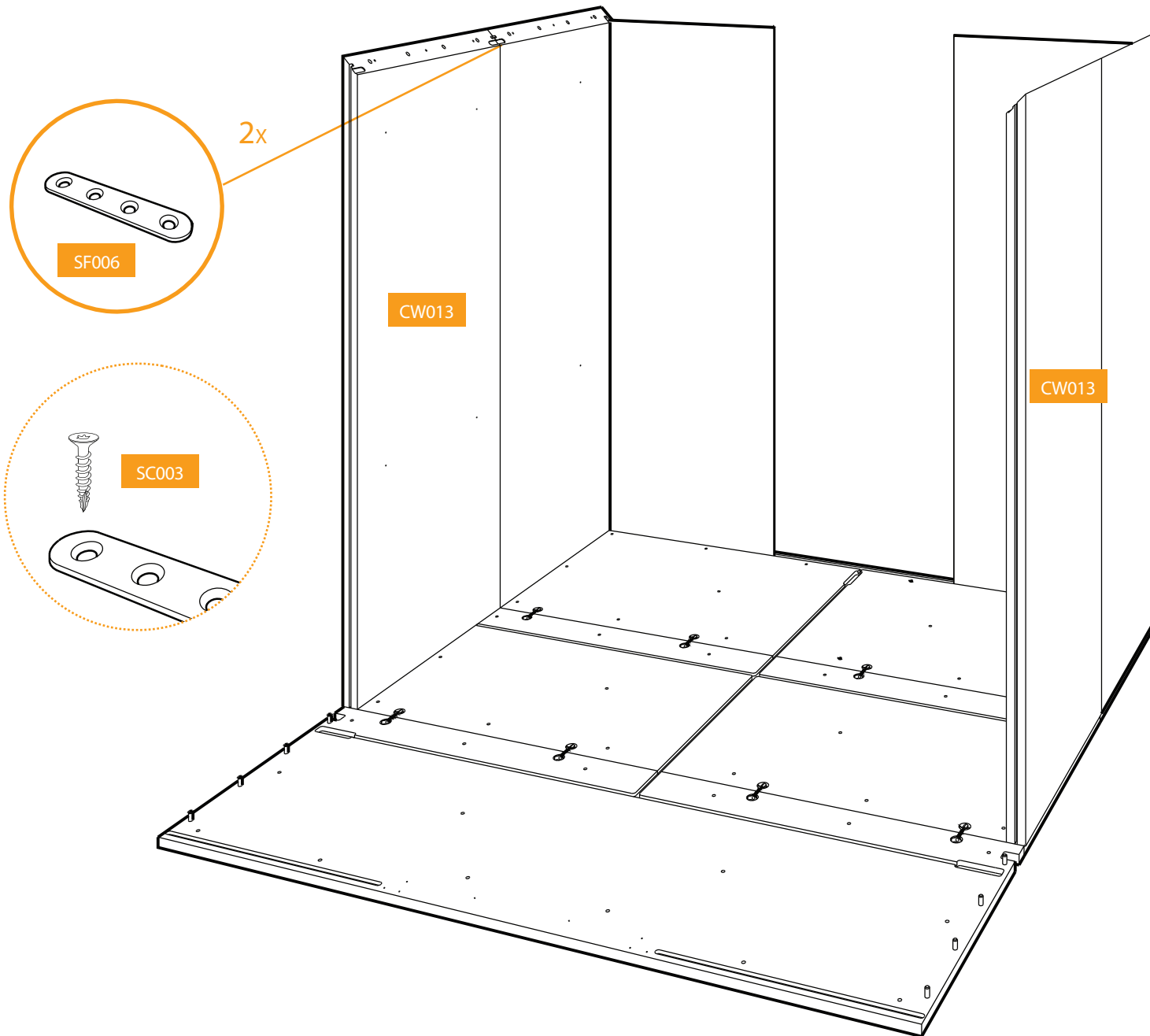


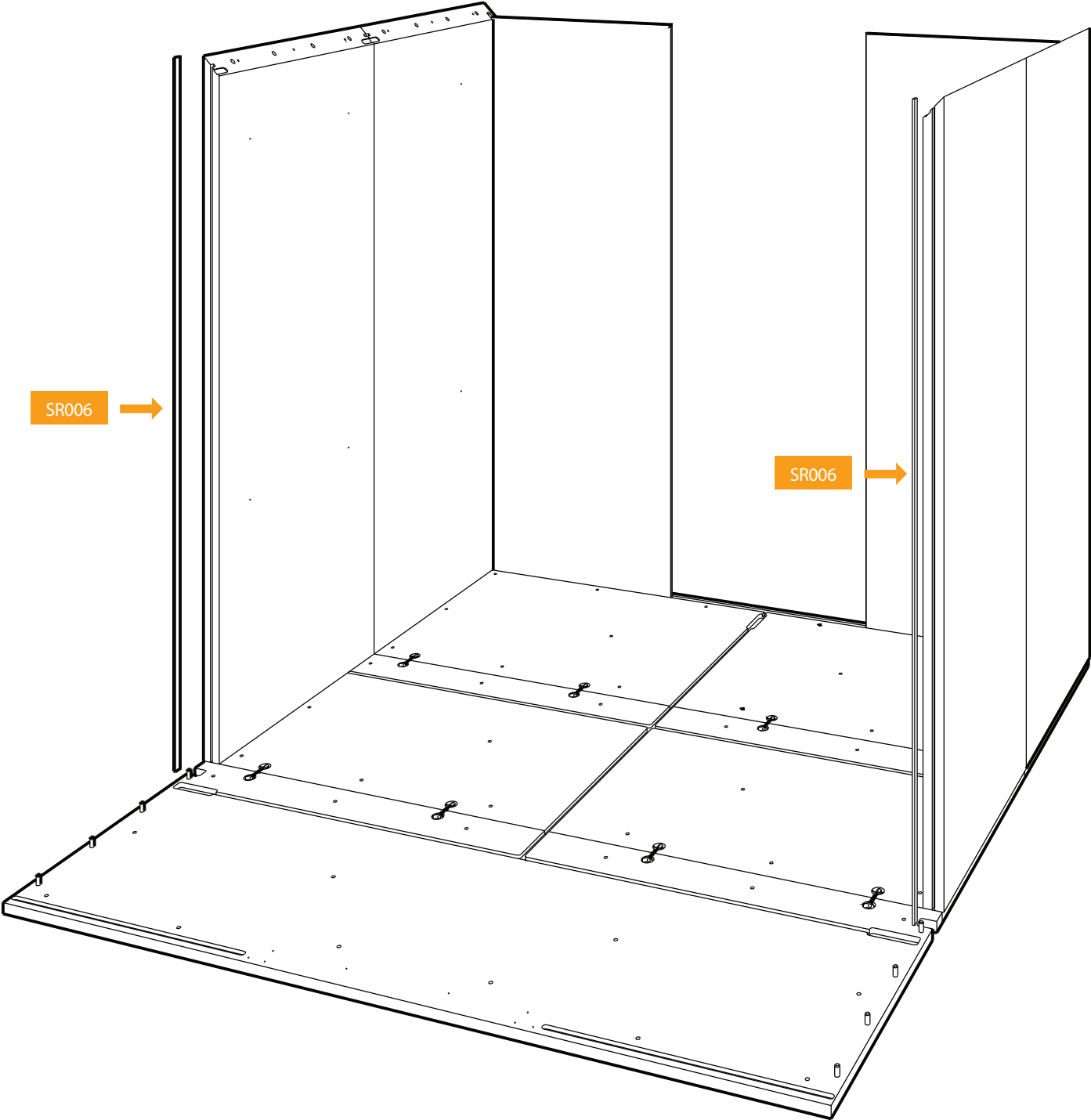






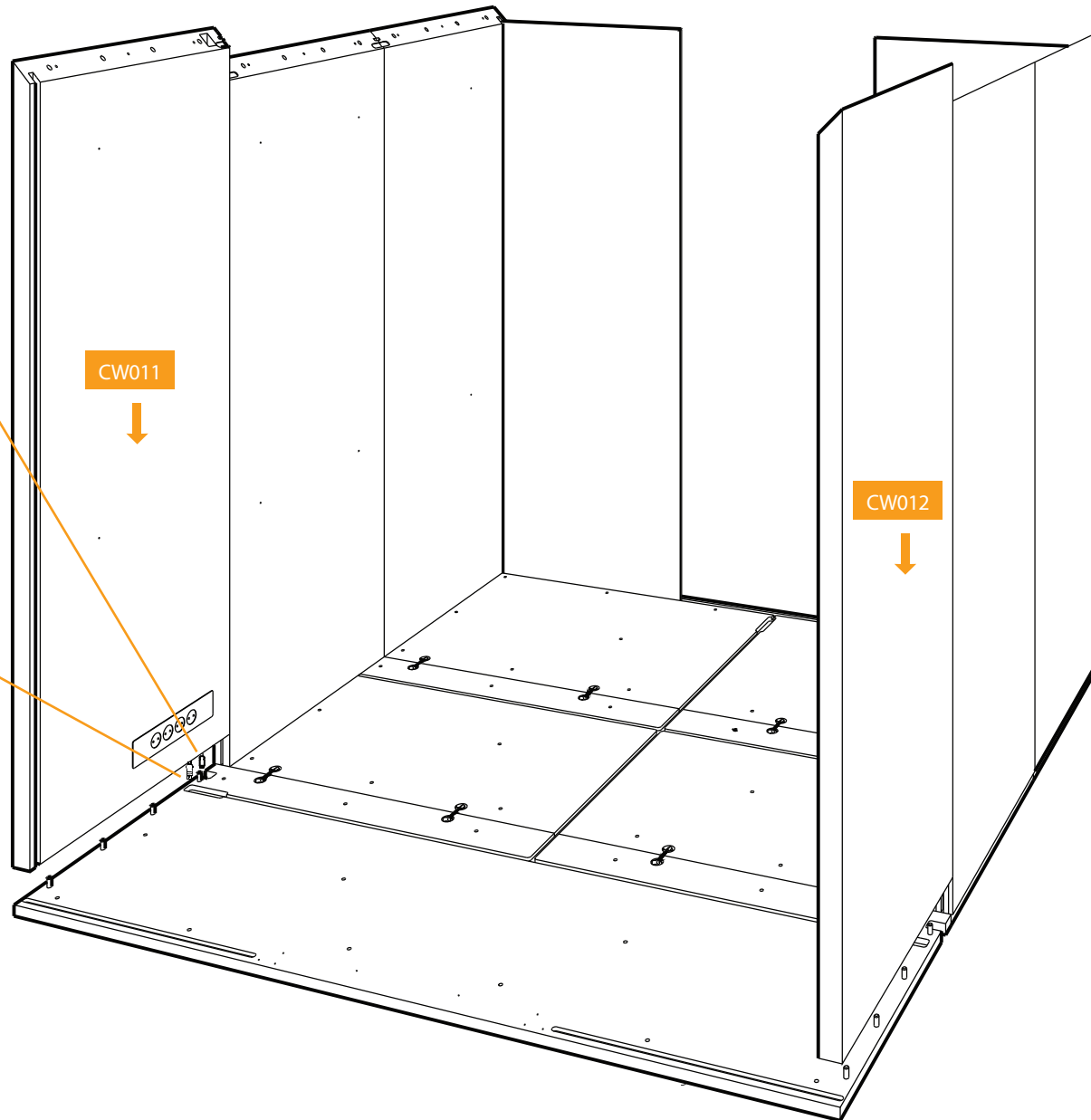
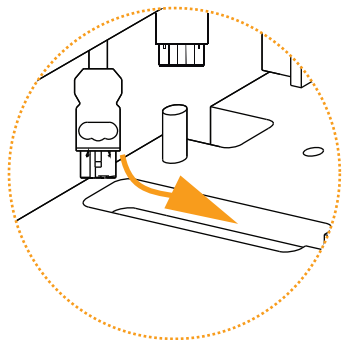
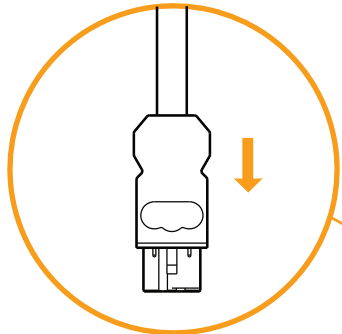
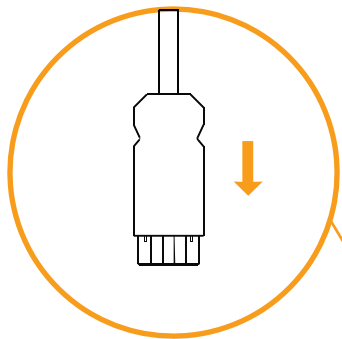






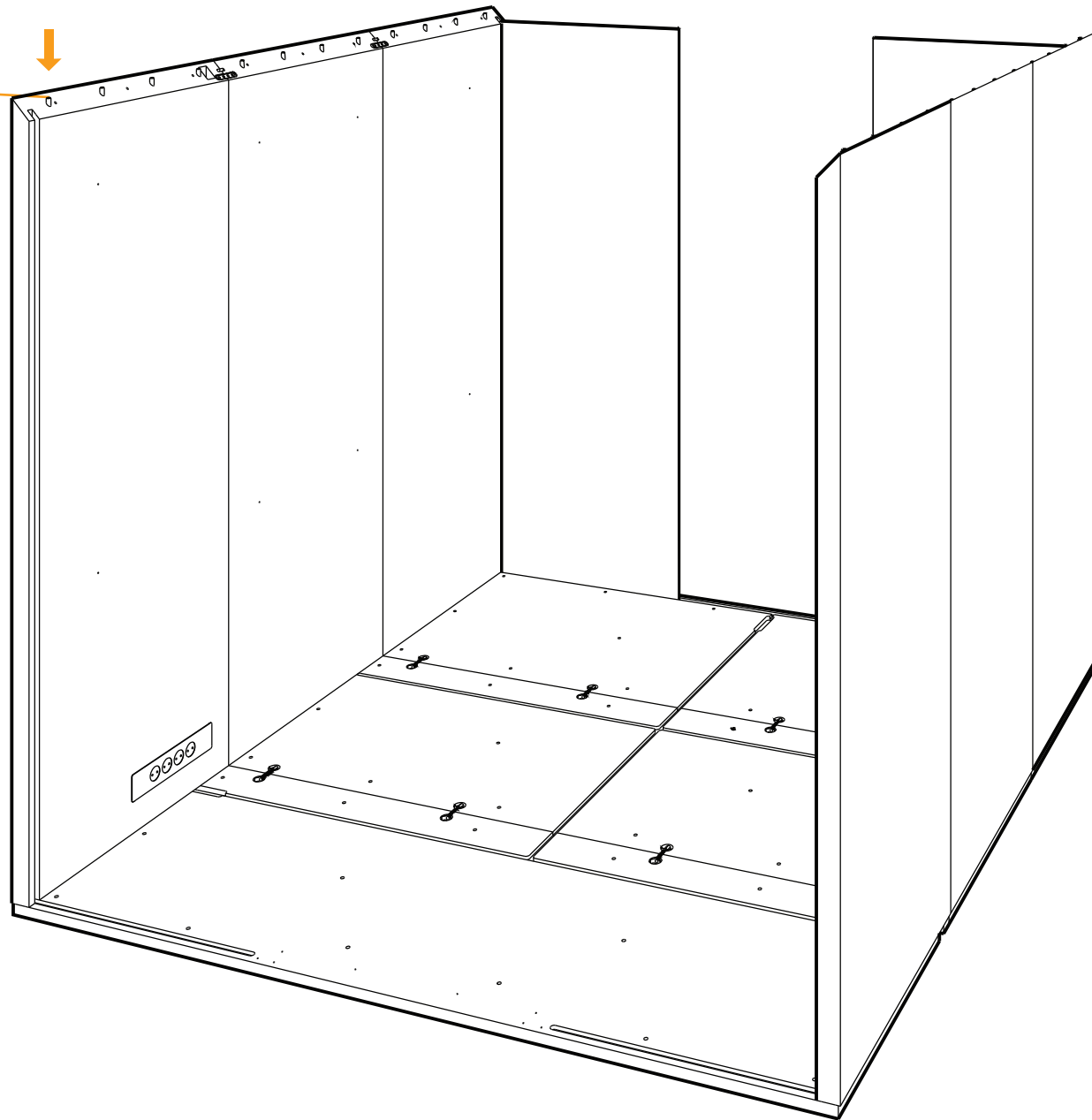
SR006 →

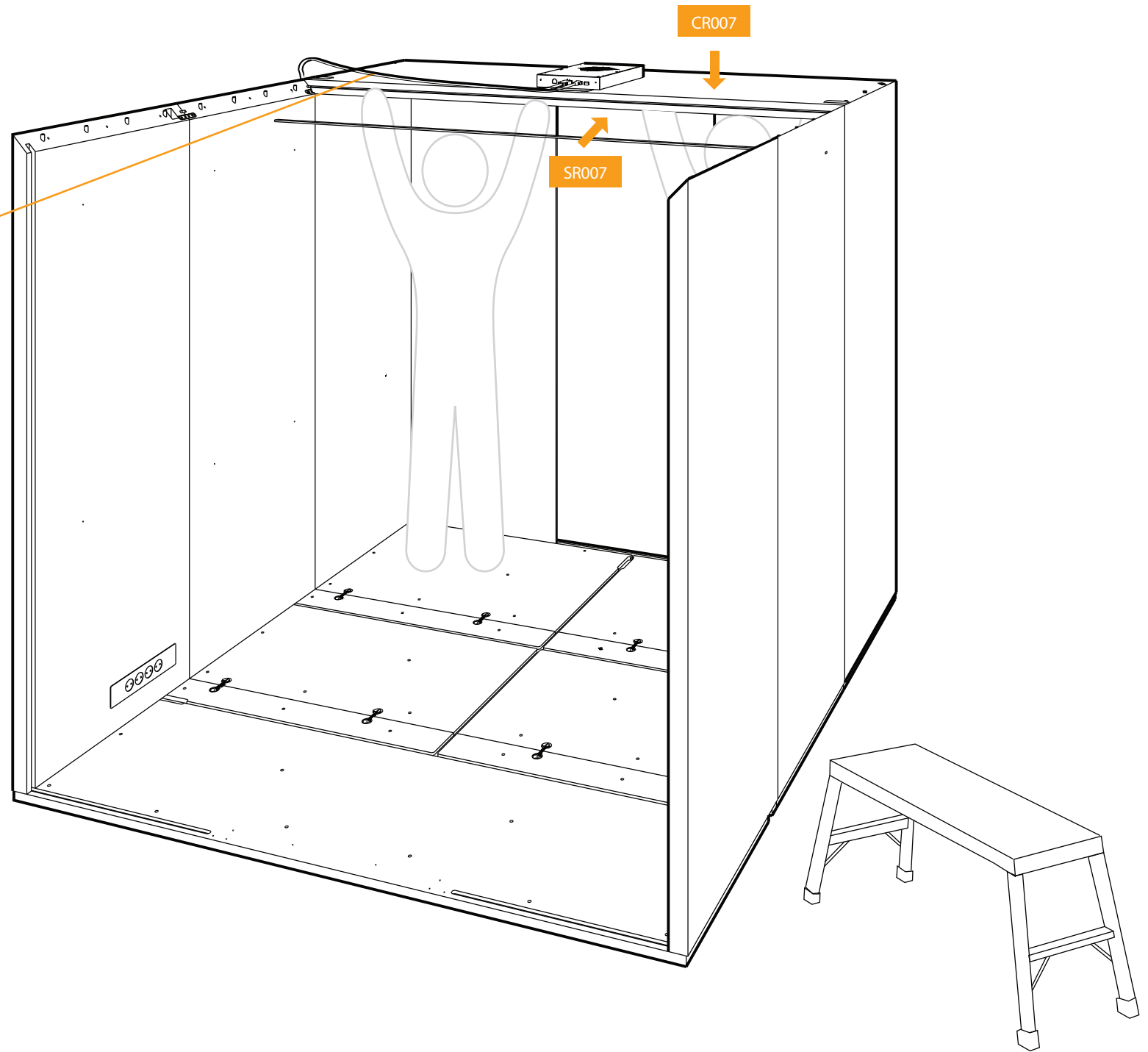
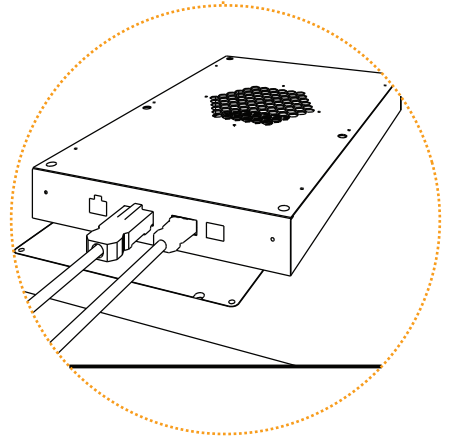
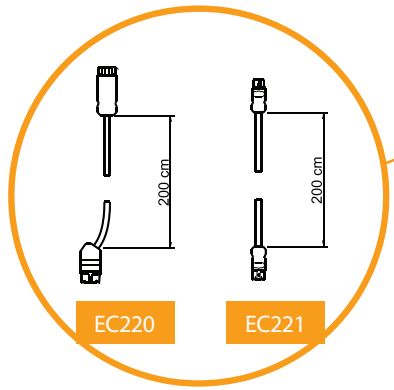
SR006 →

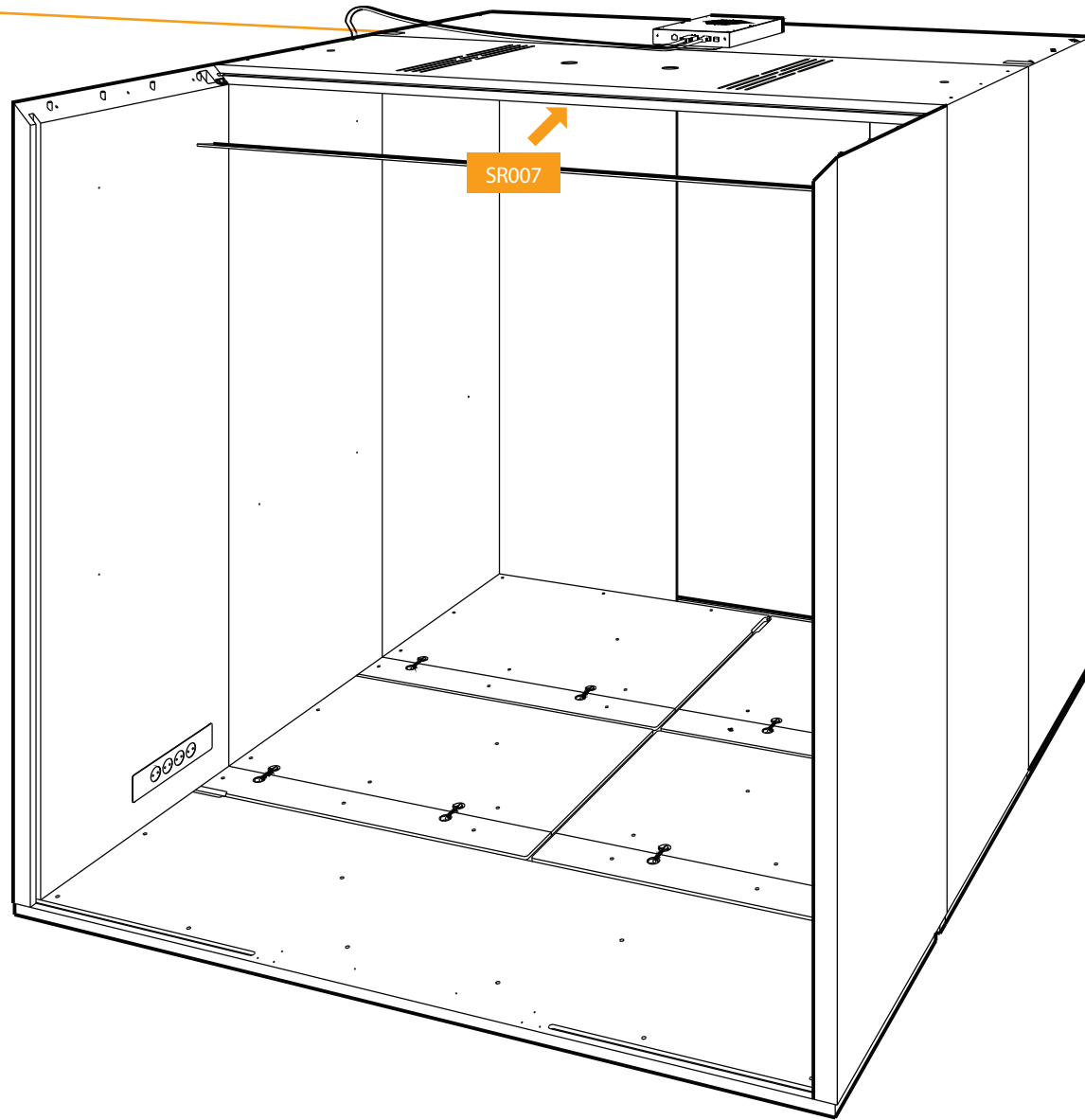
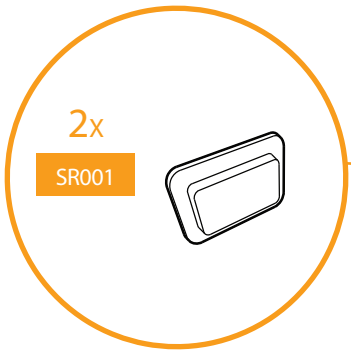


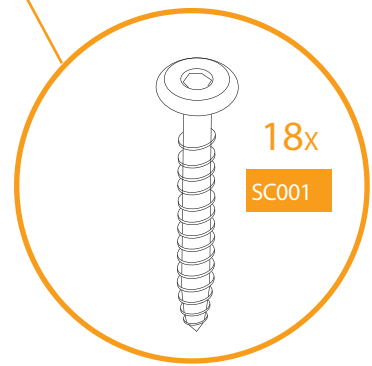
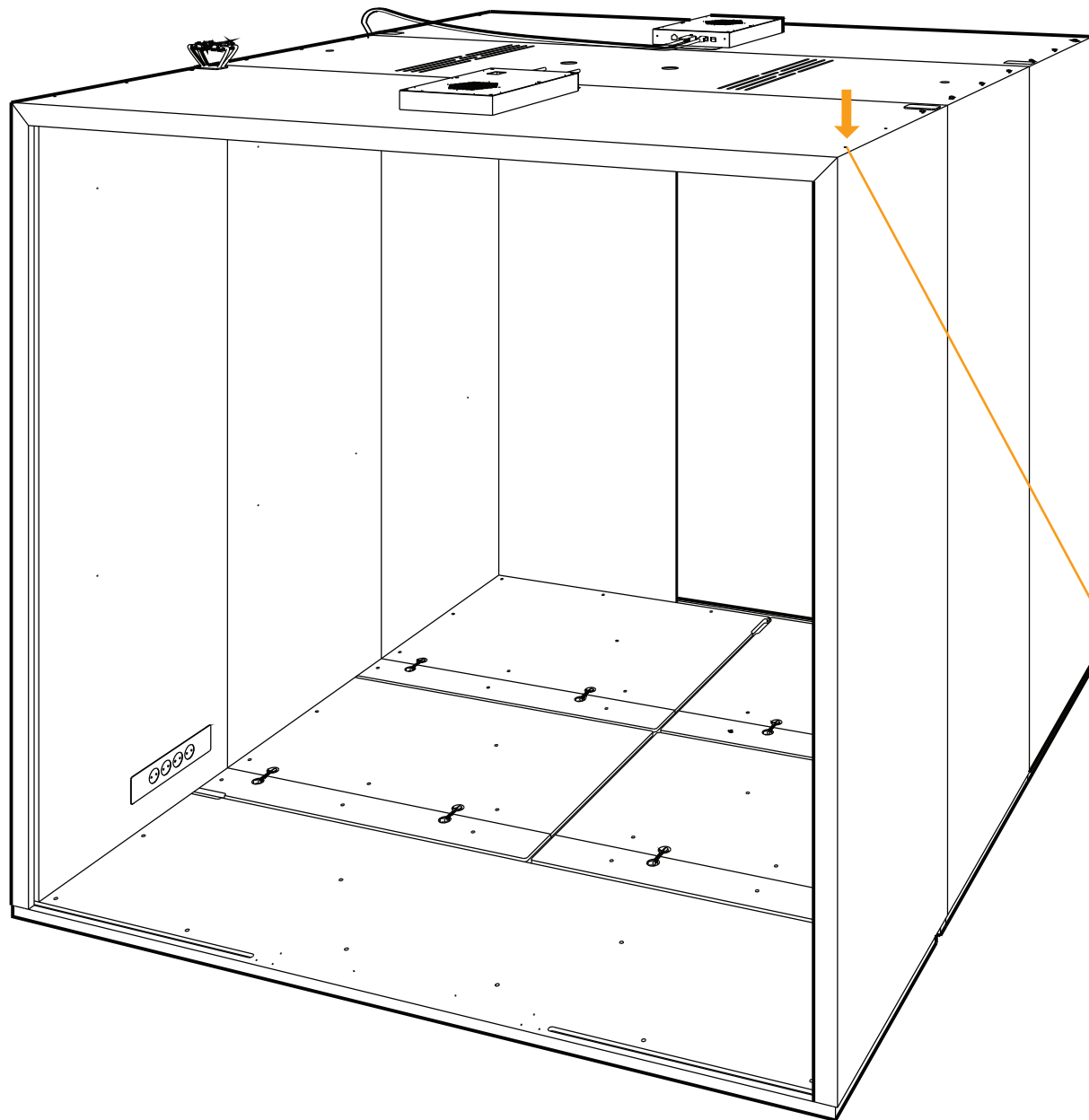


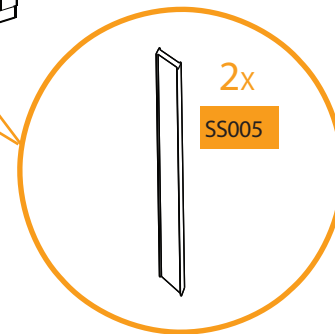
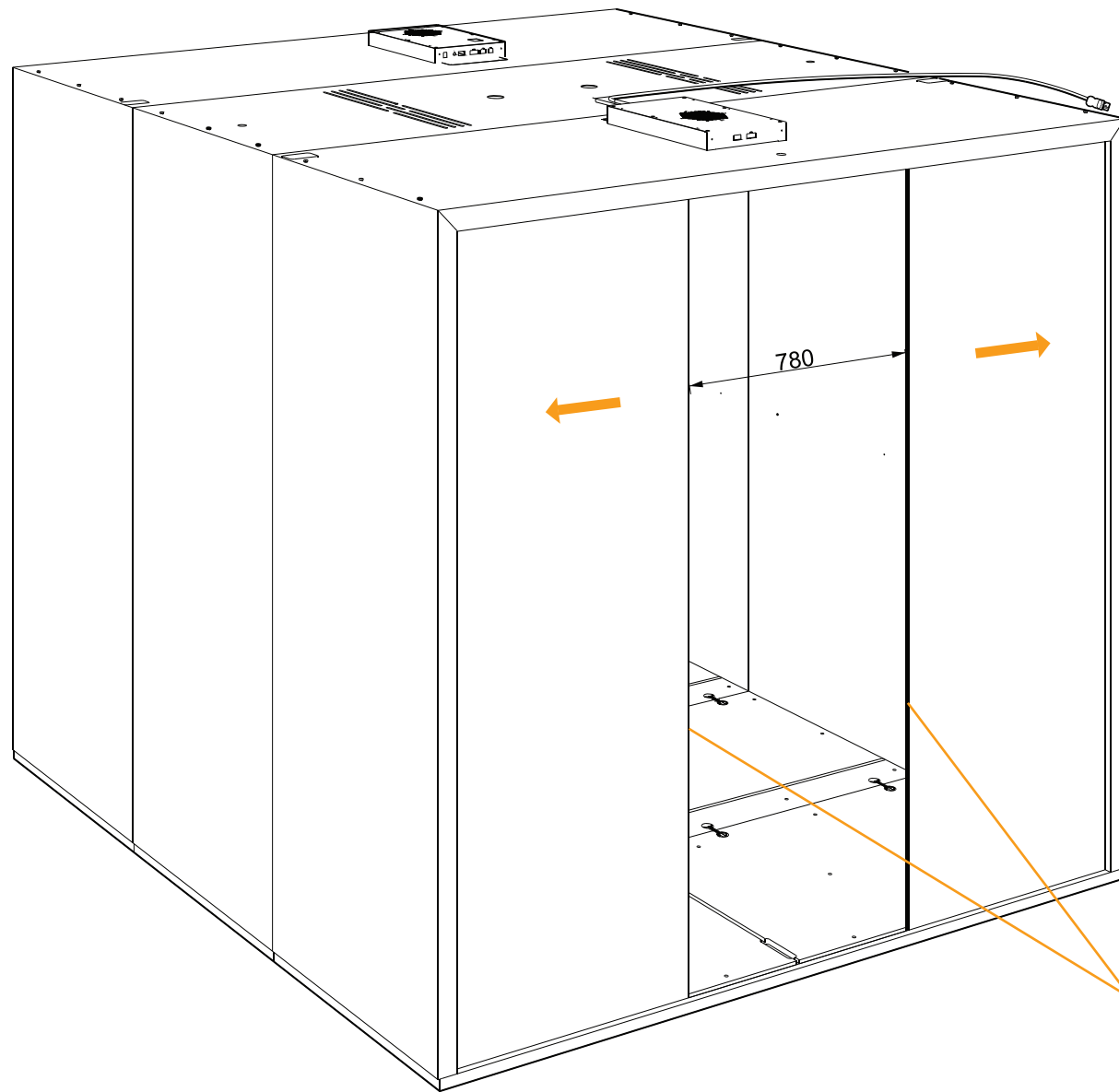
Warning: Do not apply excessive force

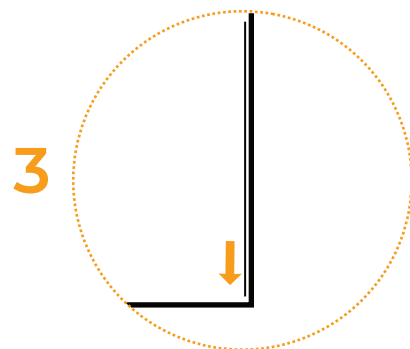
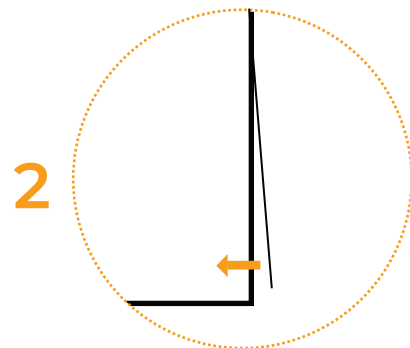
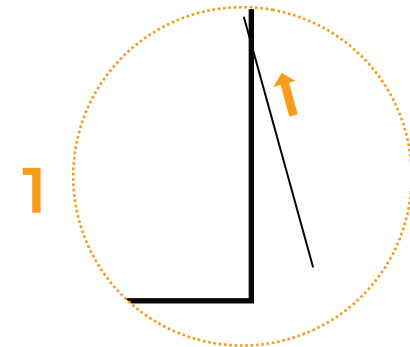


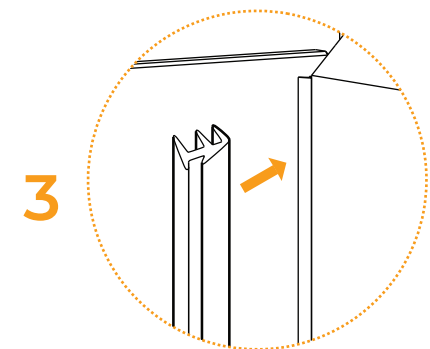
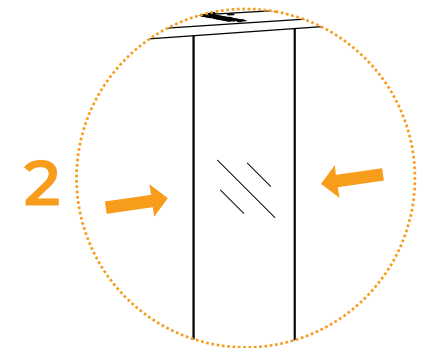
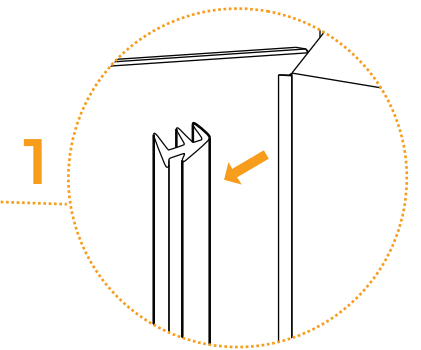
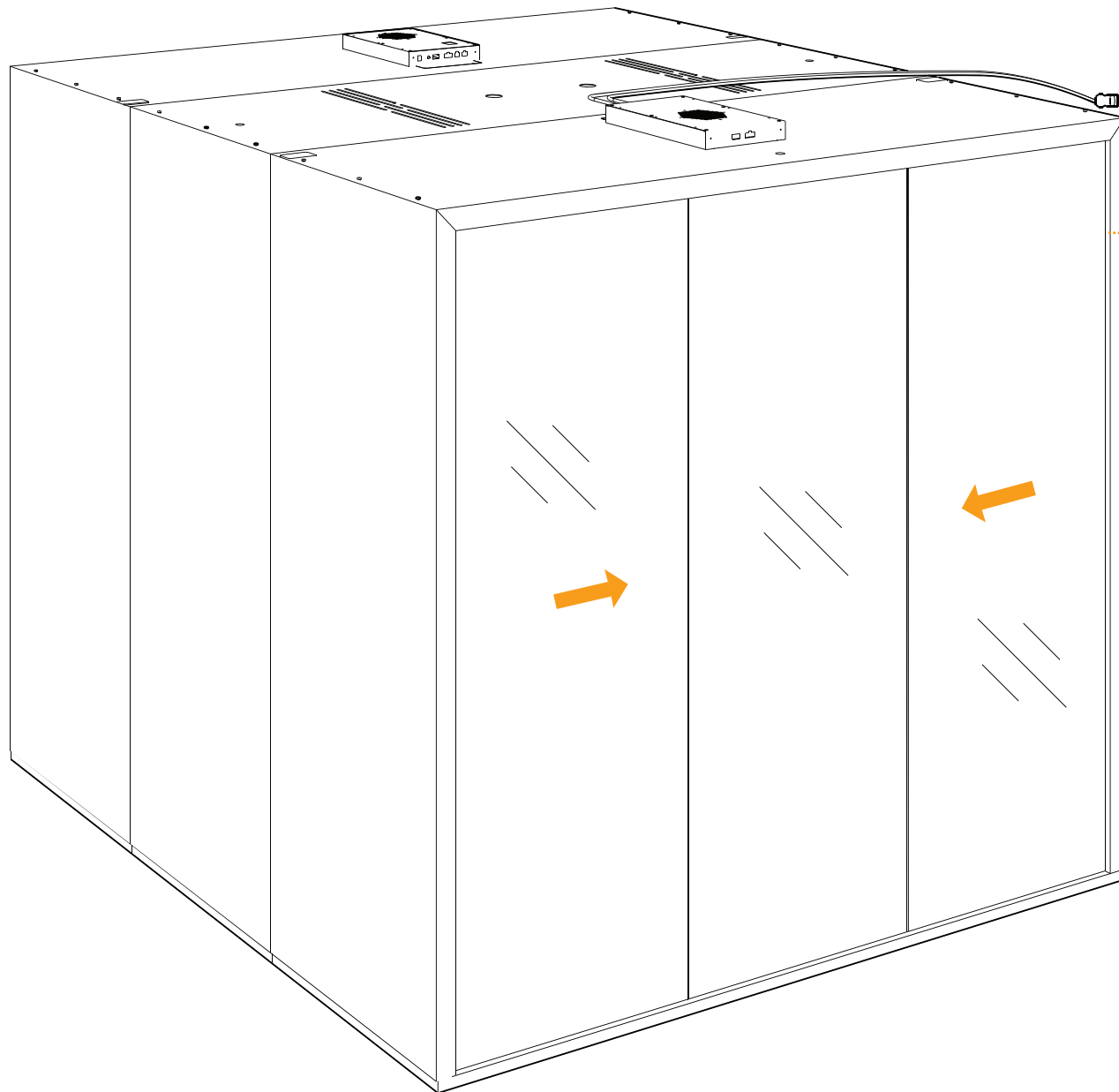


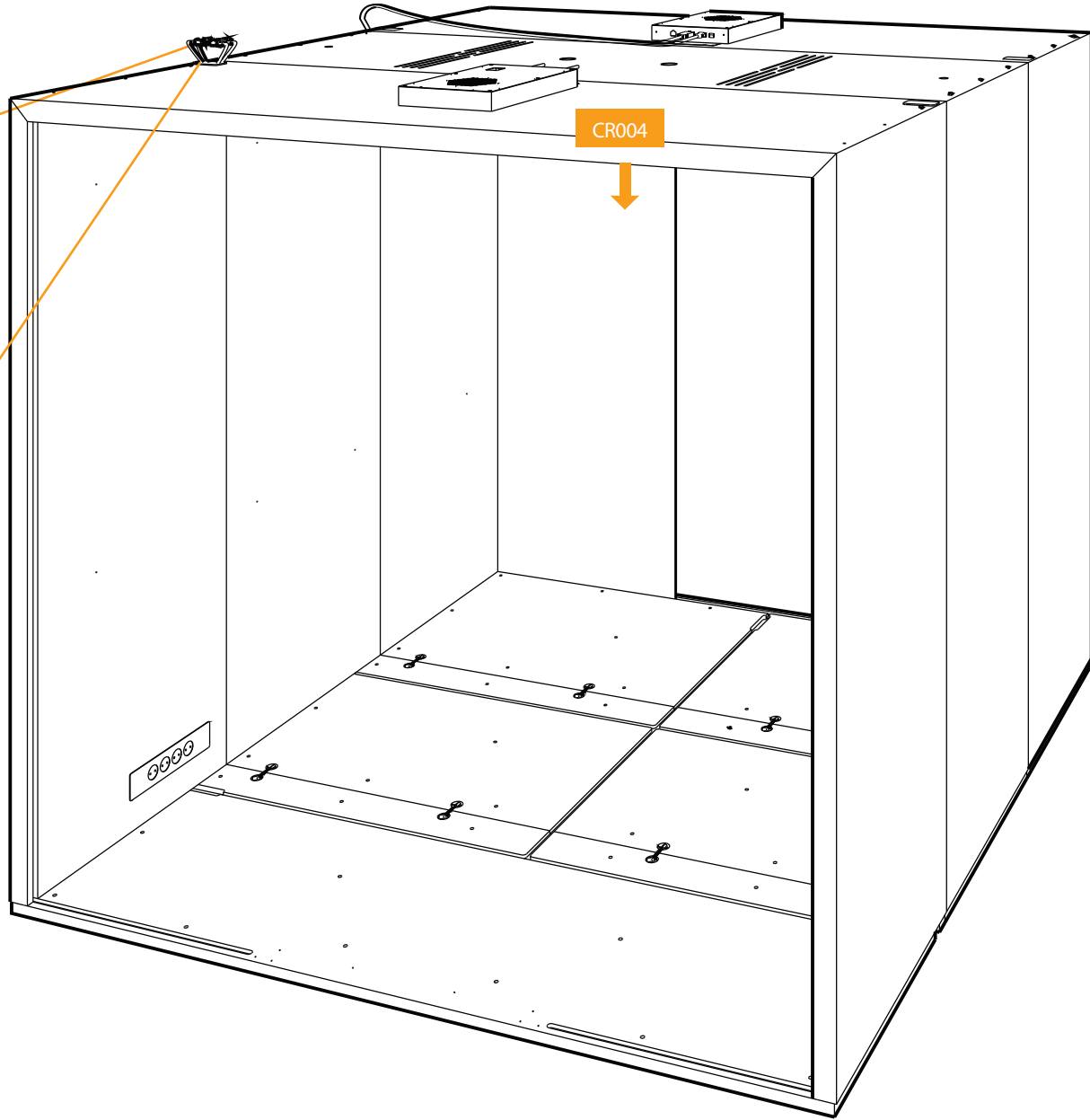
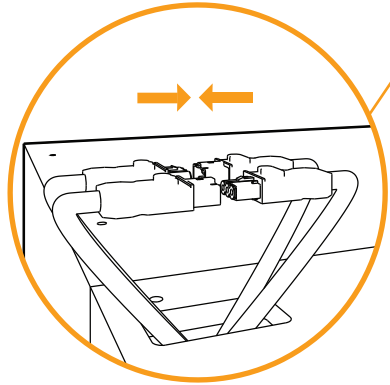
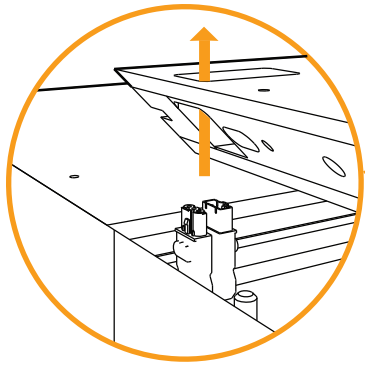


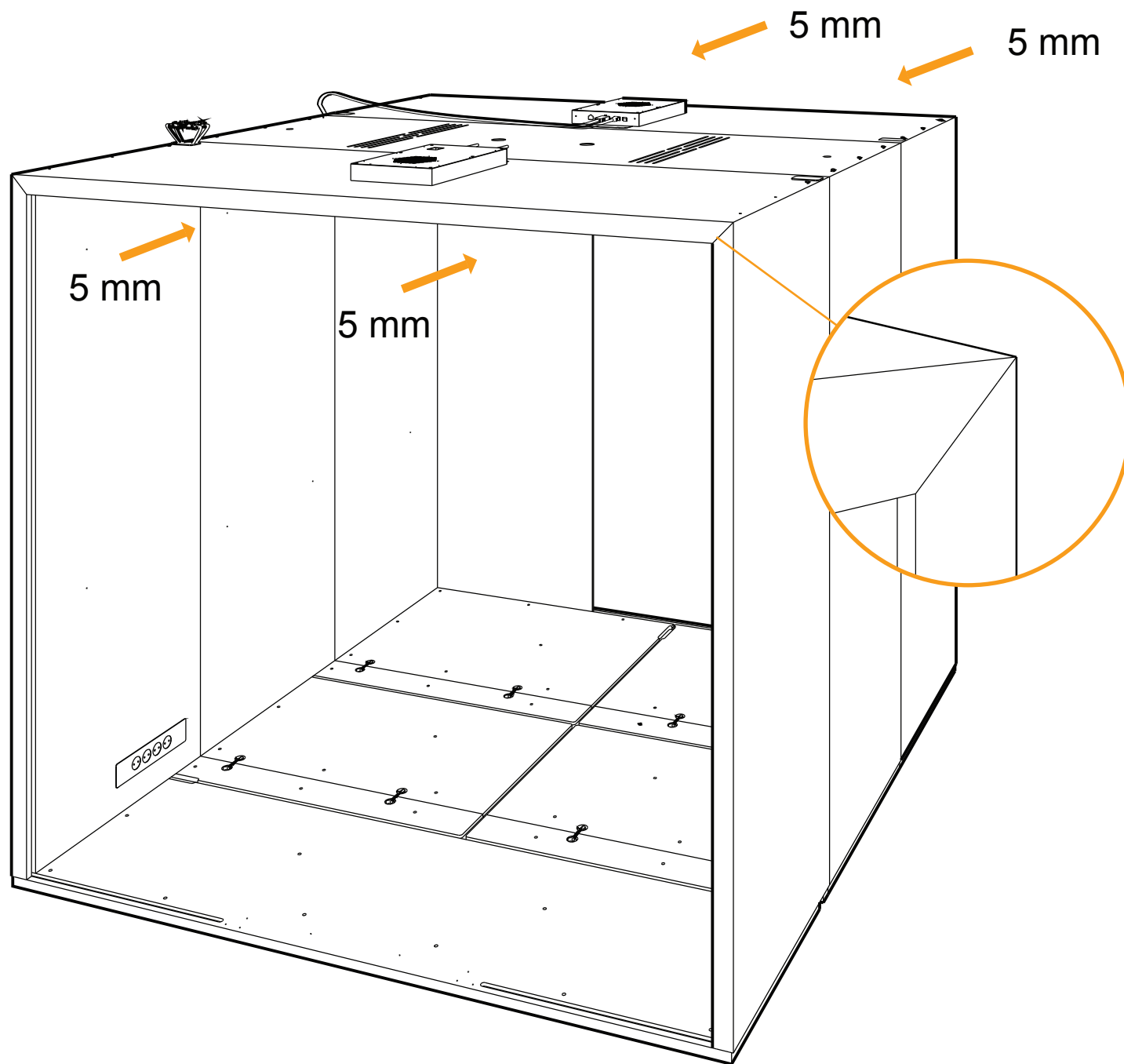


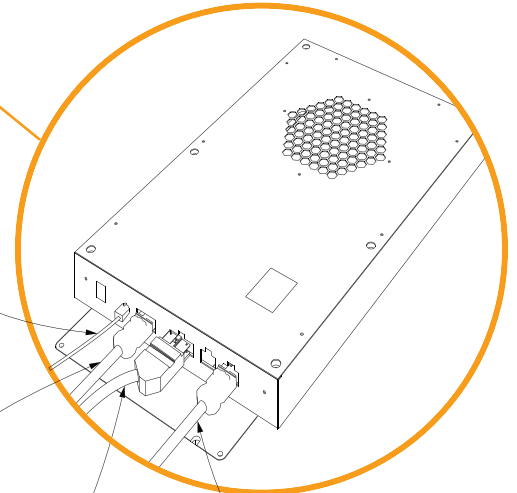
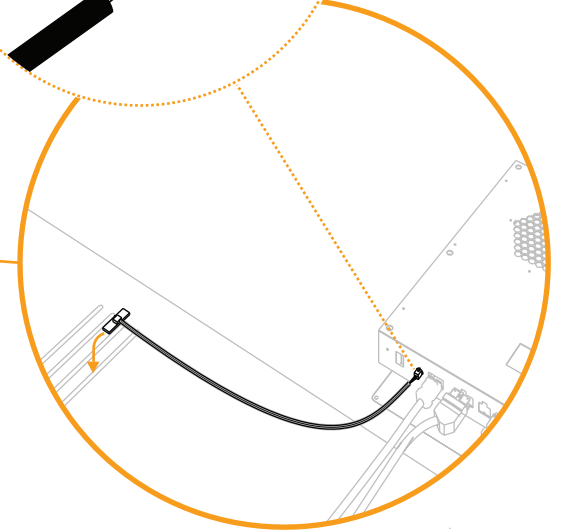
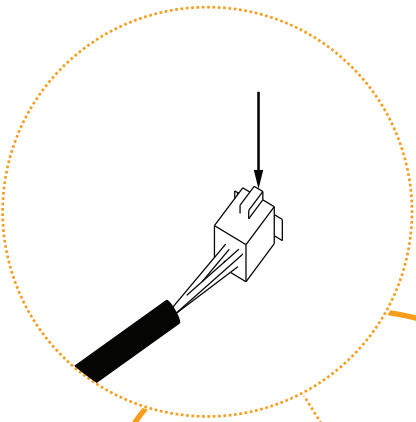
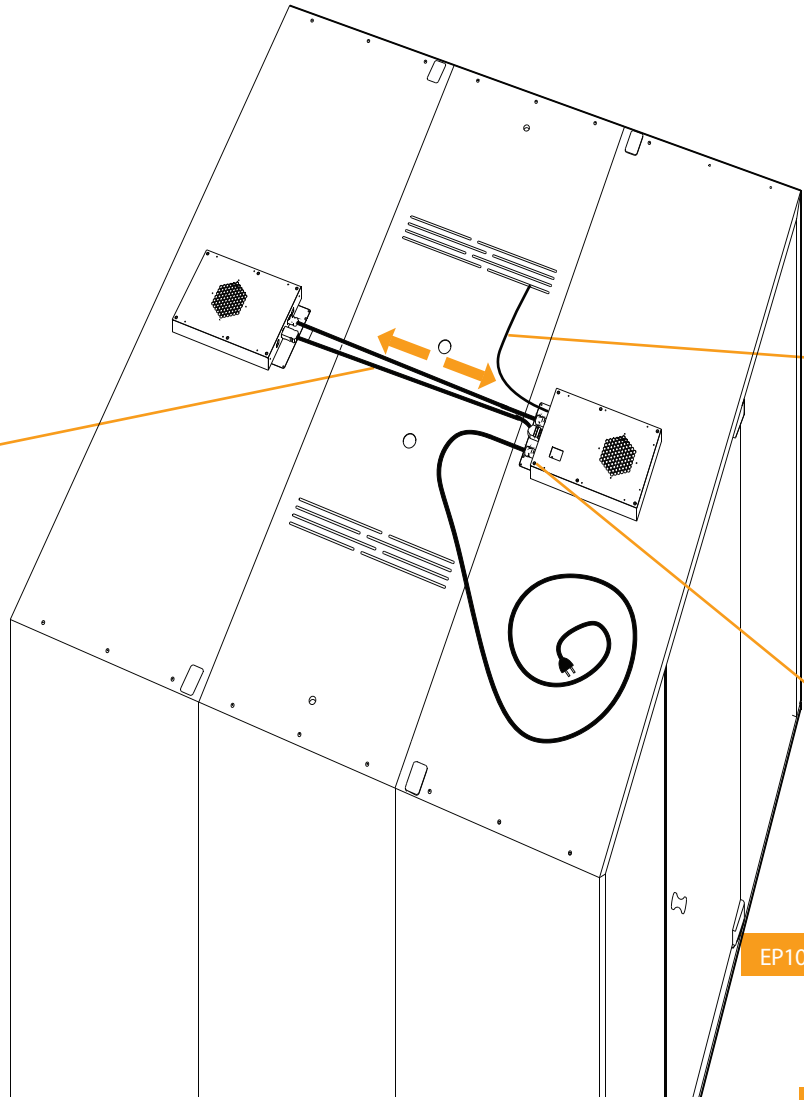
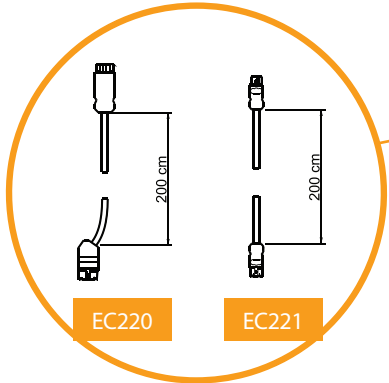


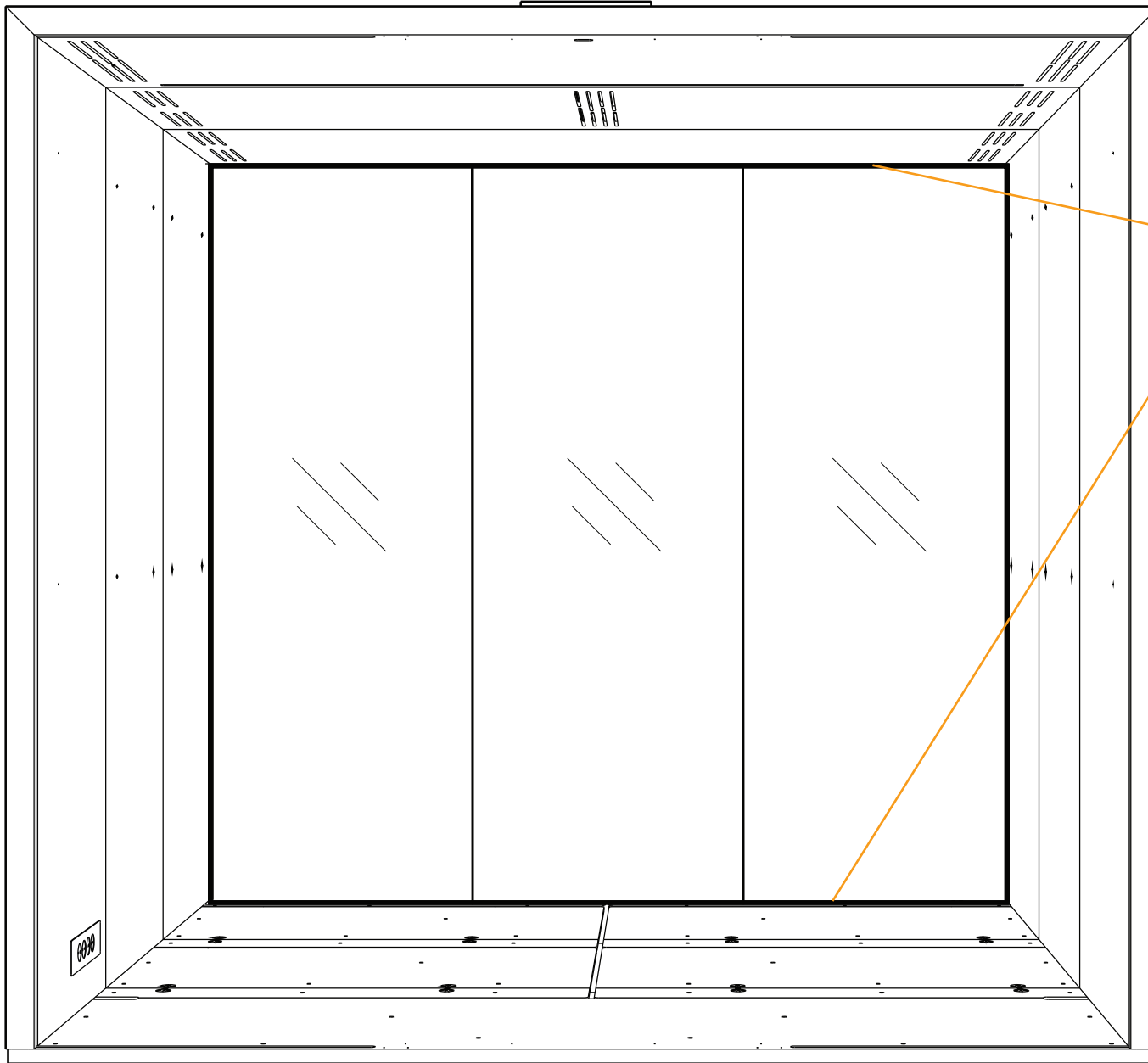




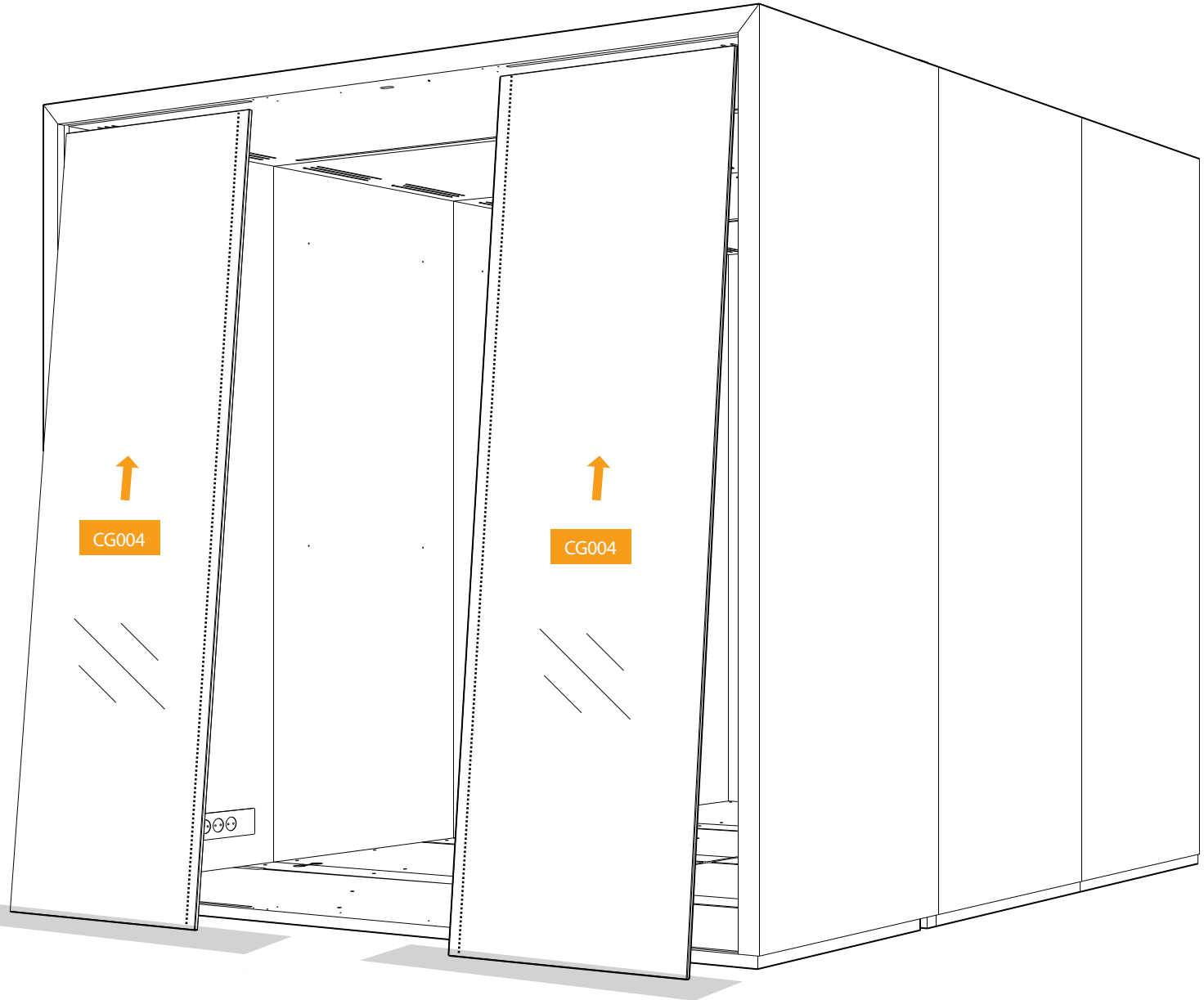
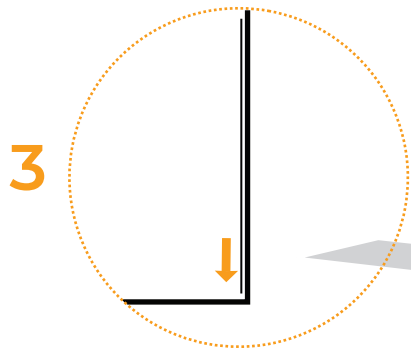
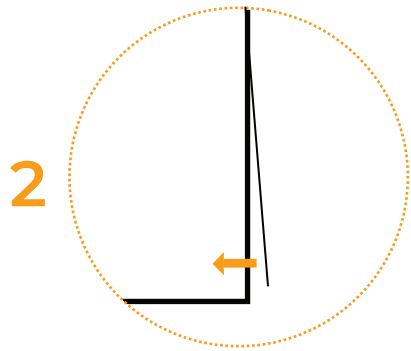
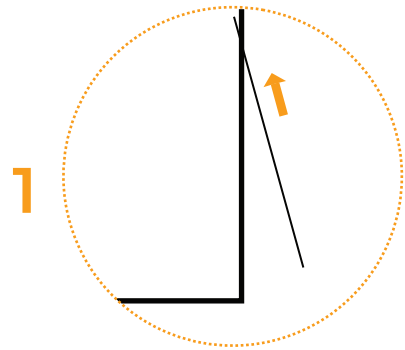


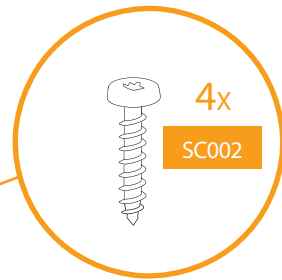
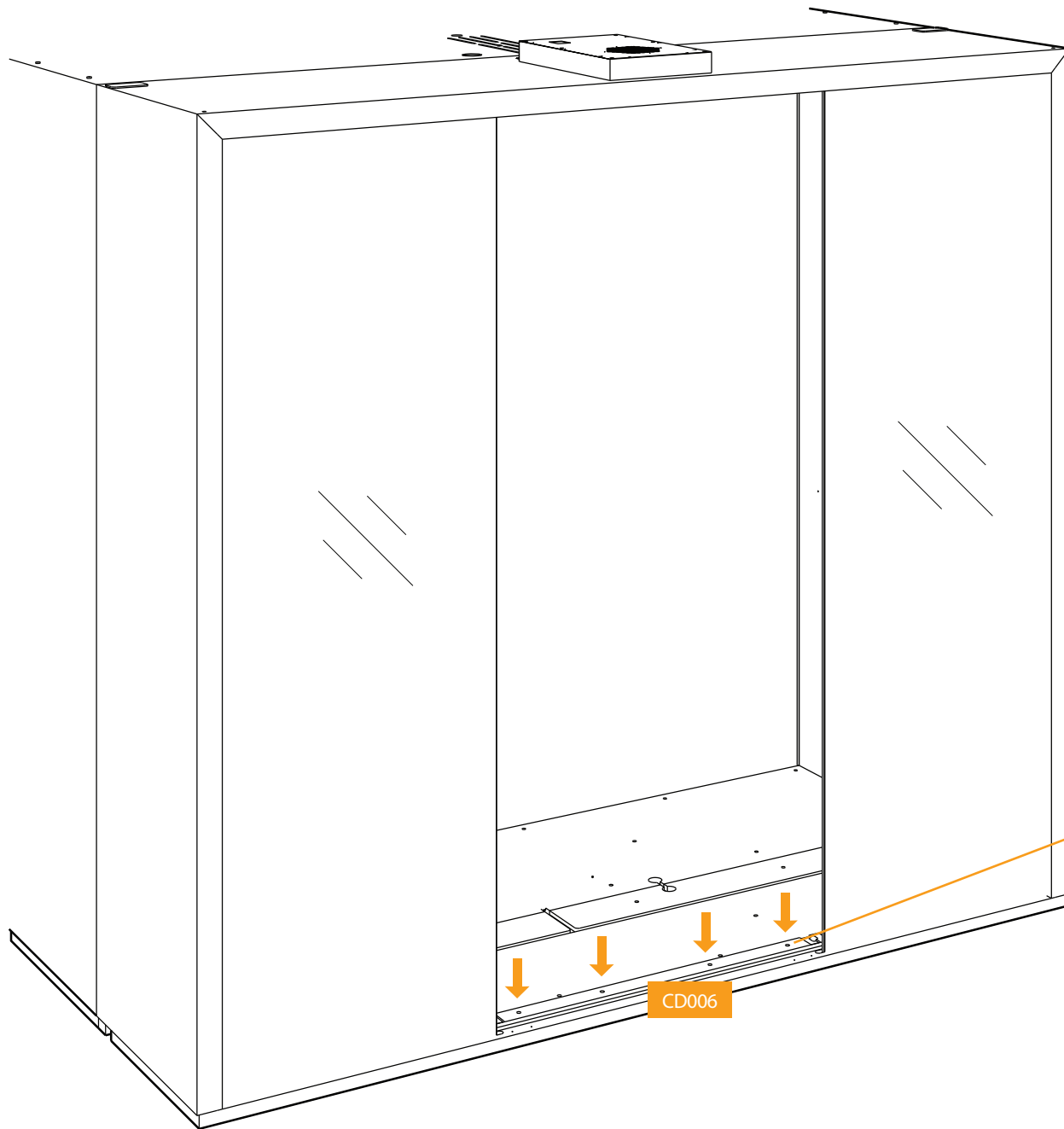






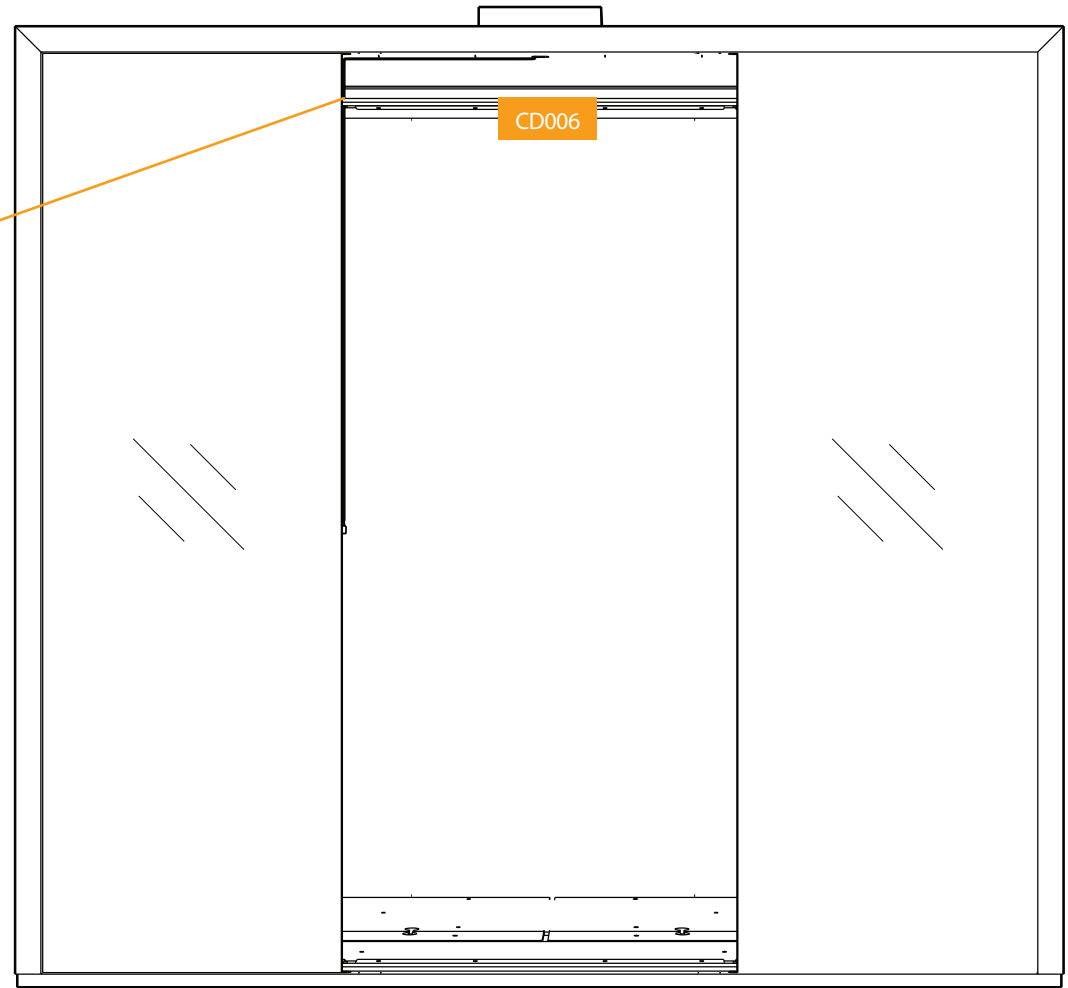
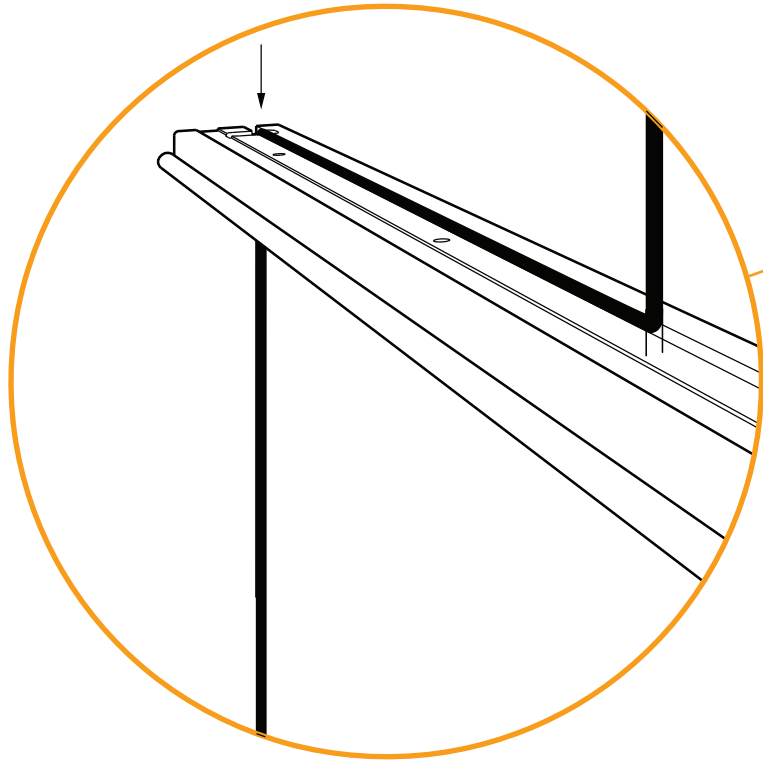
SS004

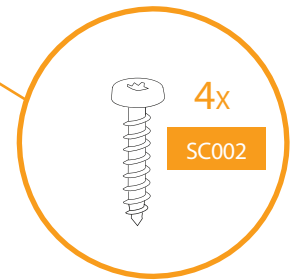
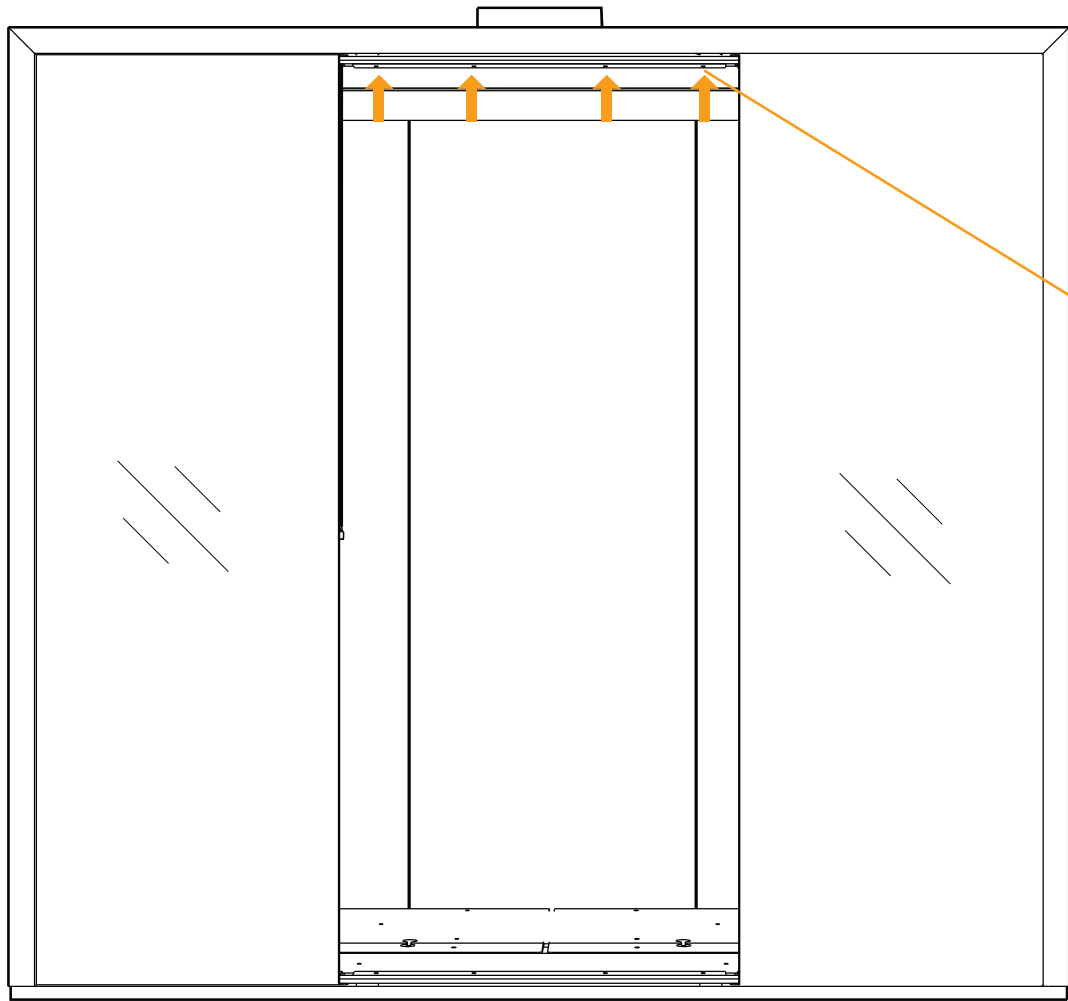


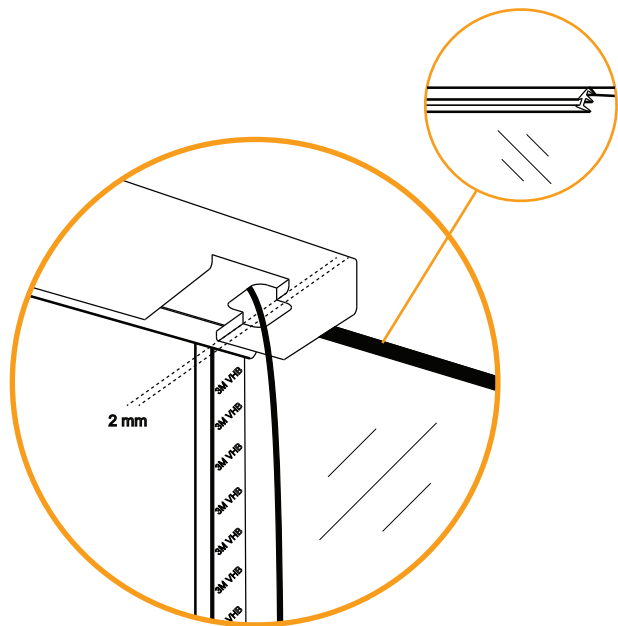


CD006

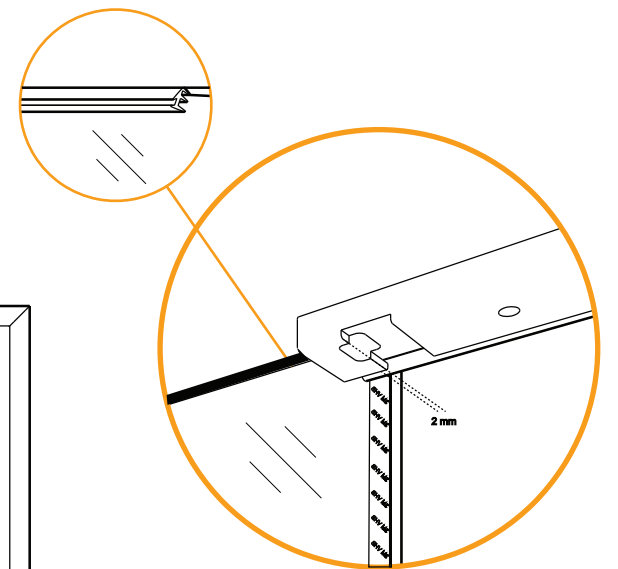
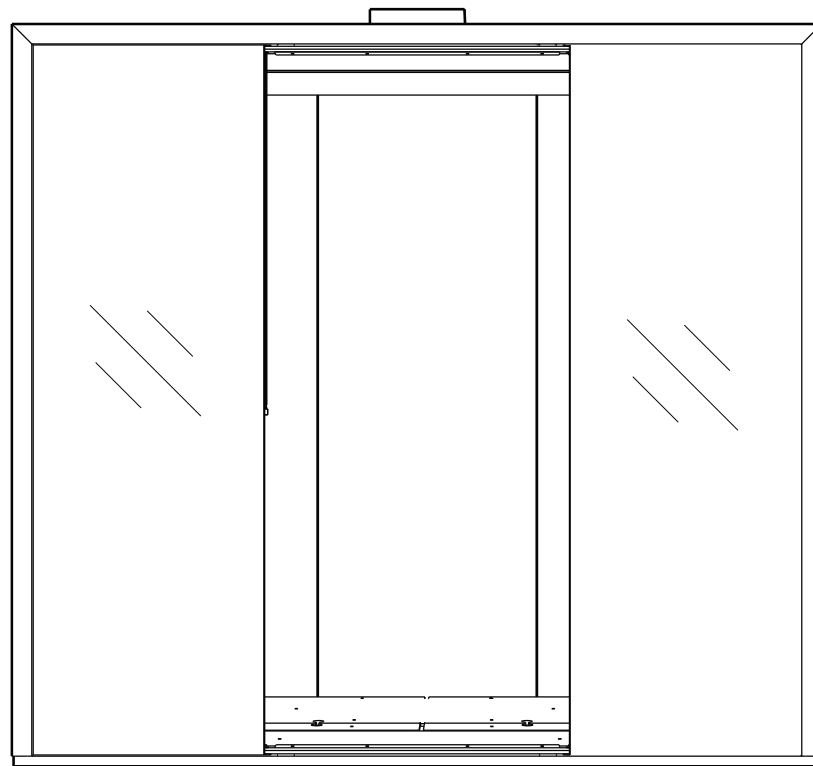
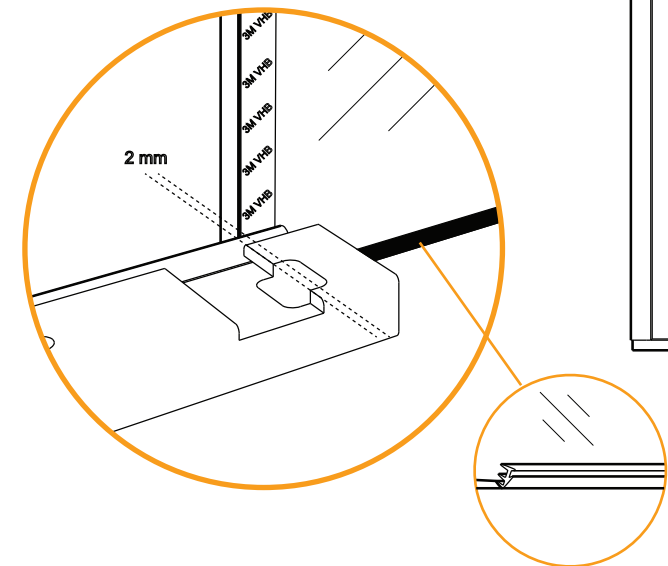
4x
SC002



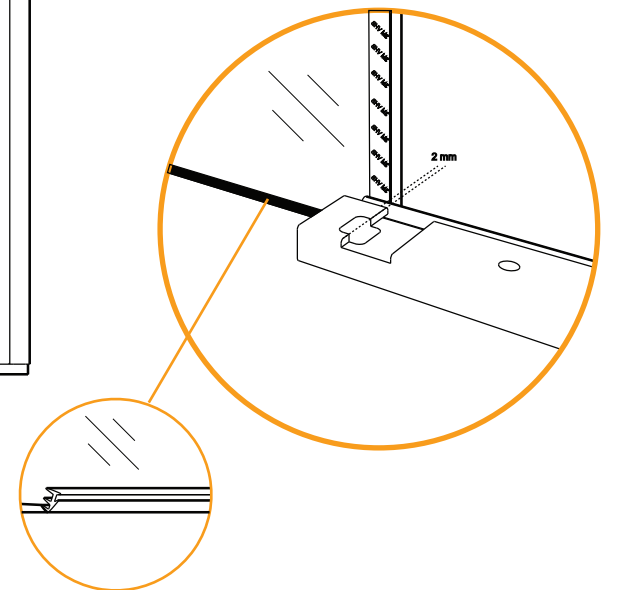


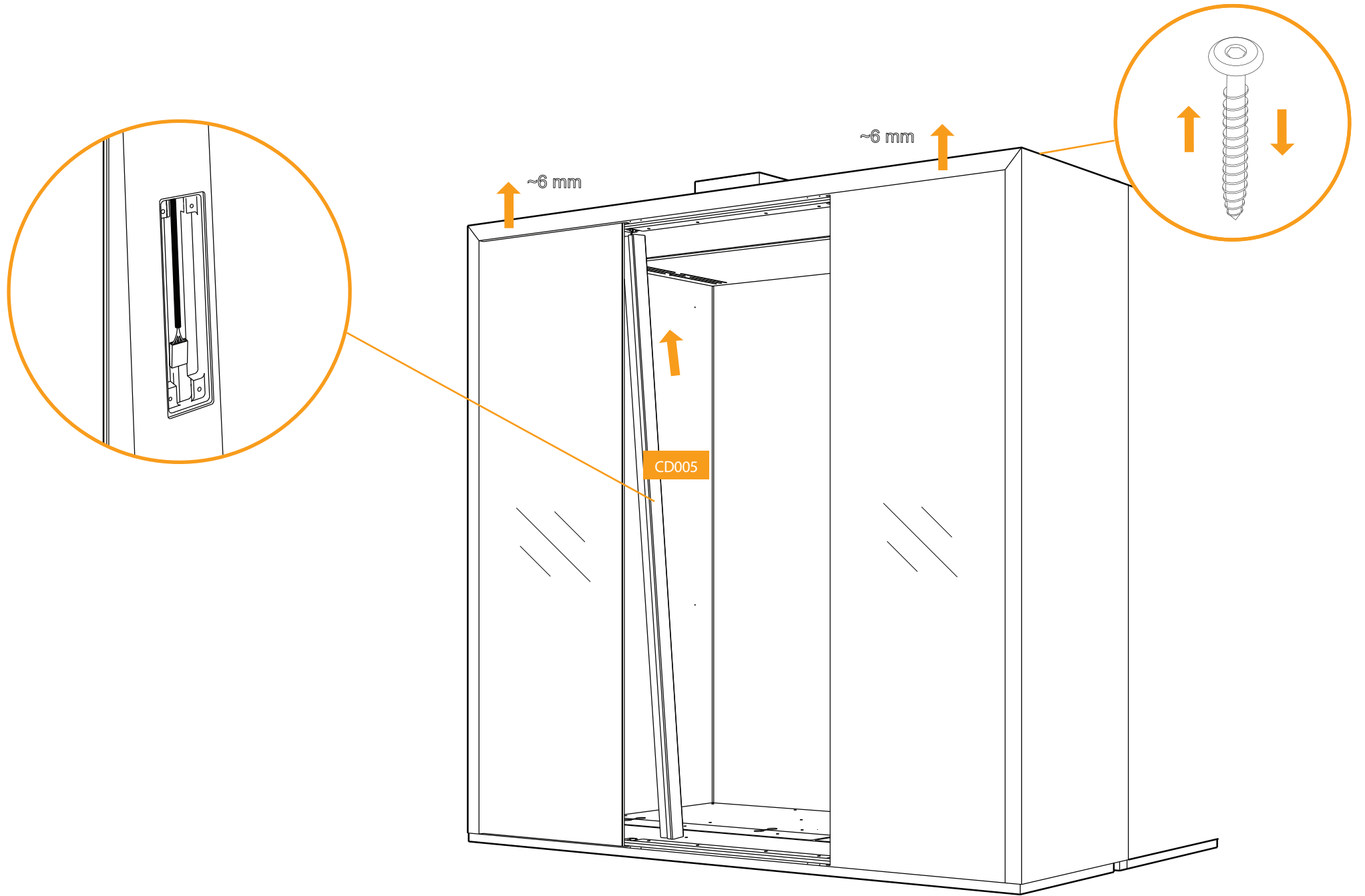


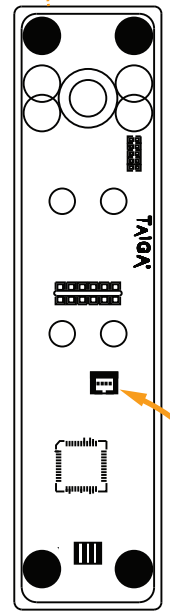
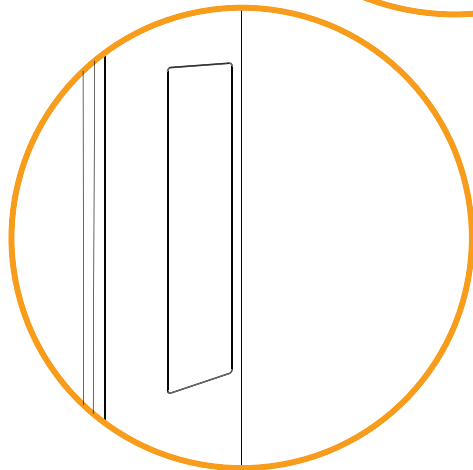
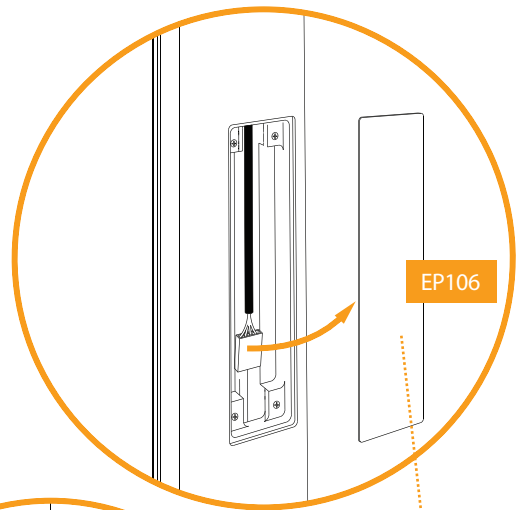
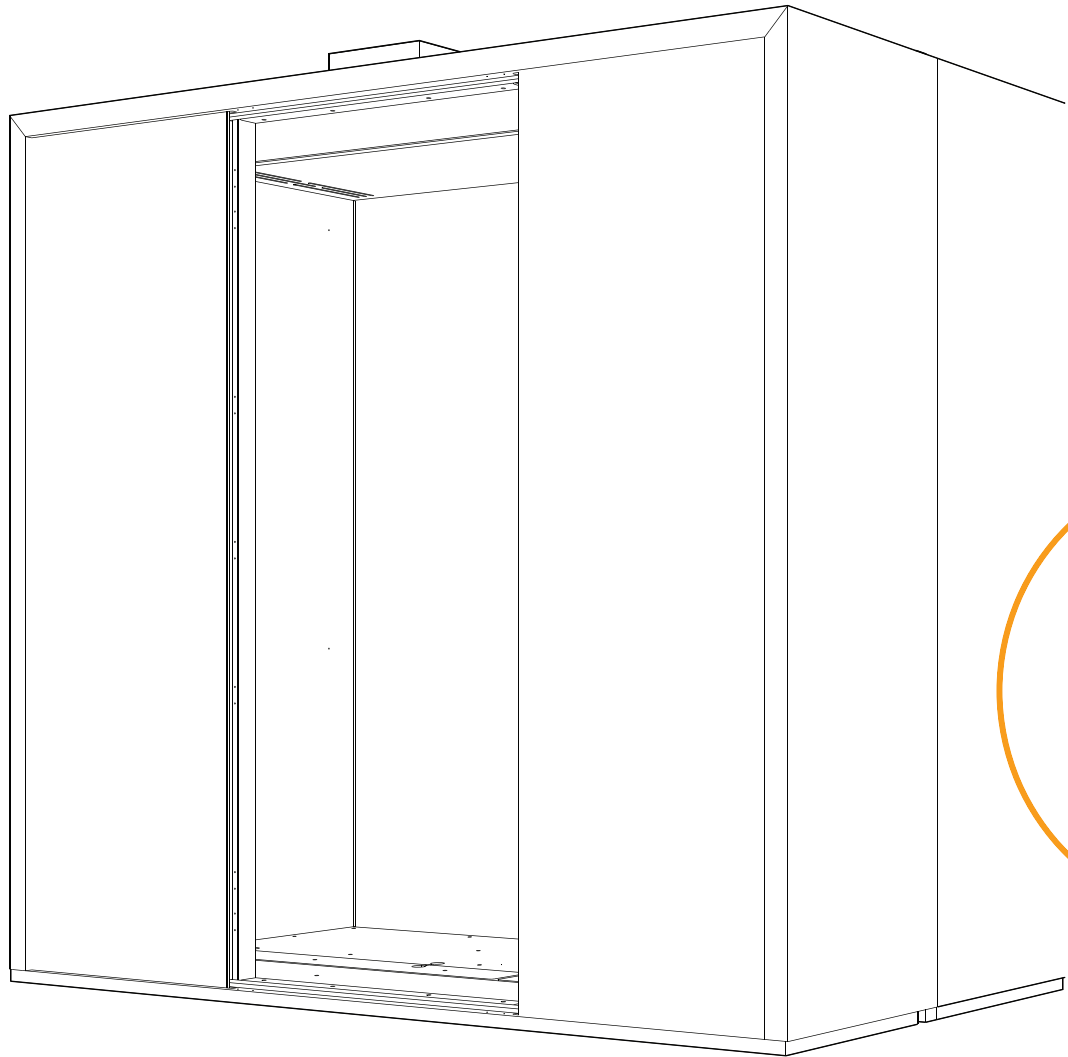
CONTROL PANEL SIDE

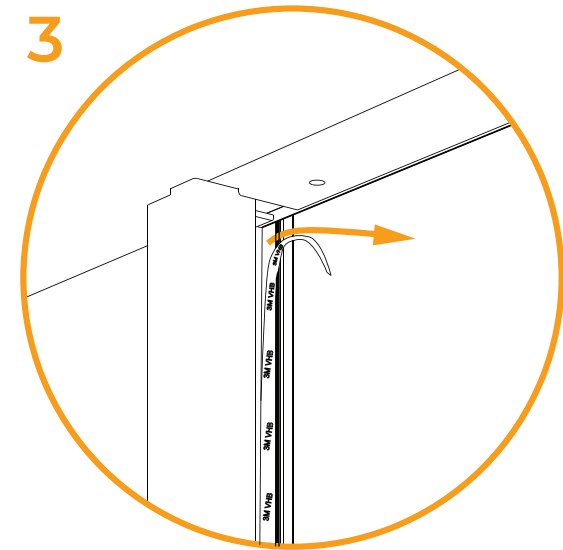
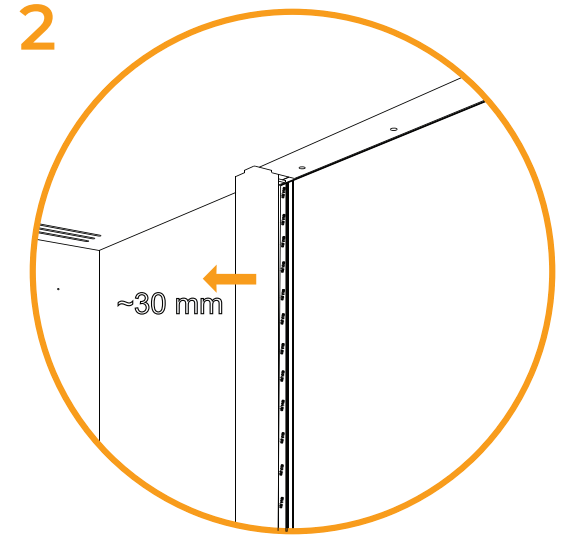
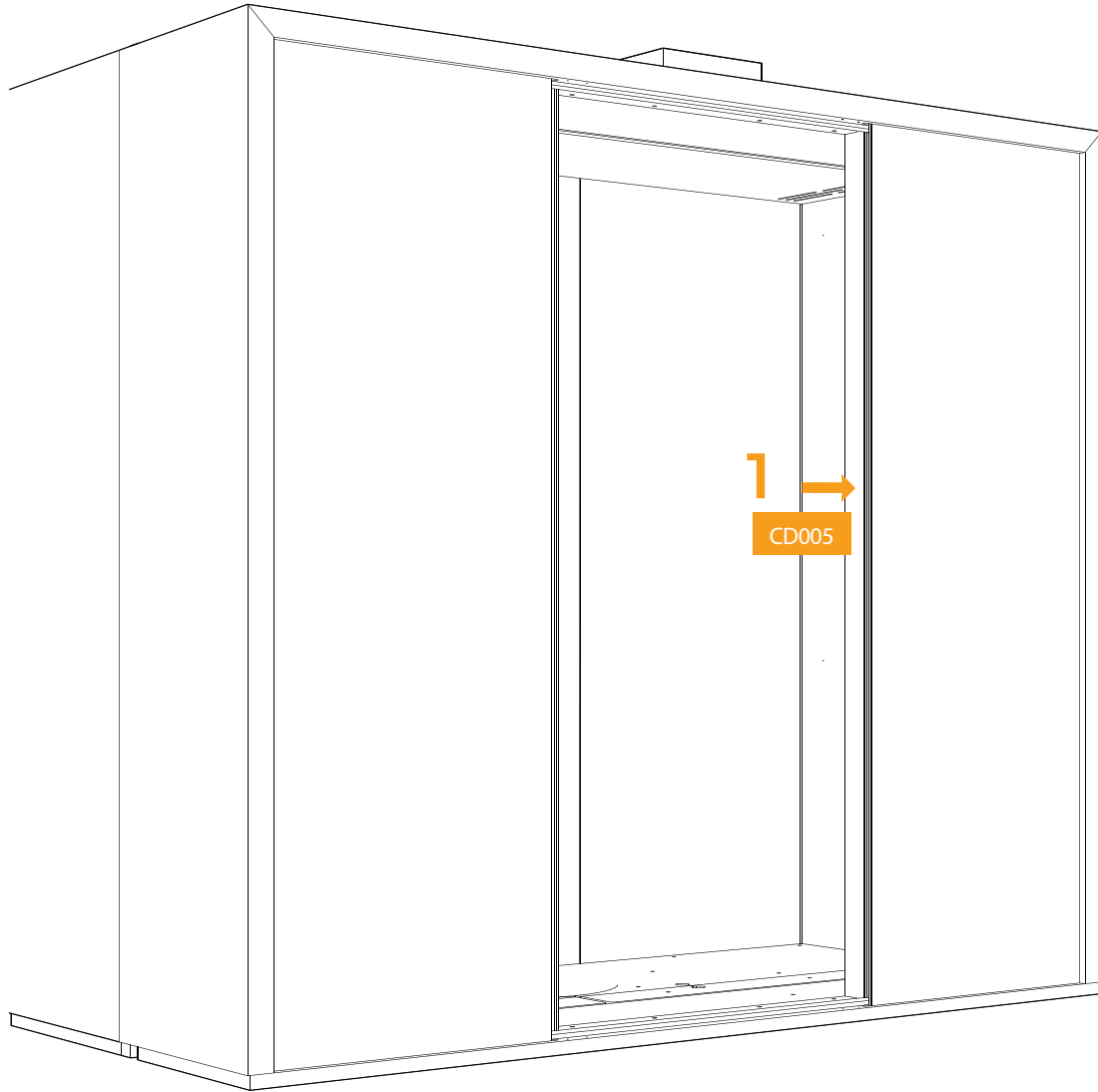


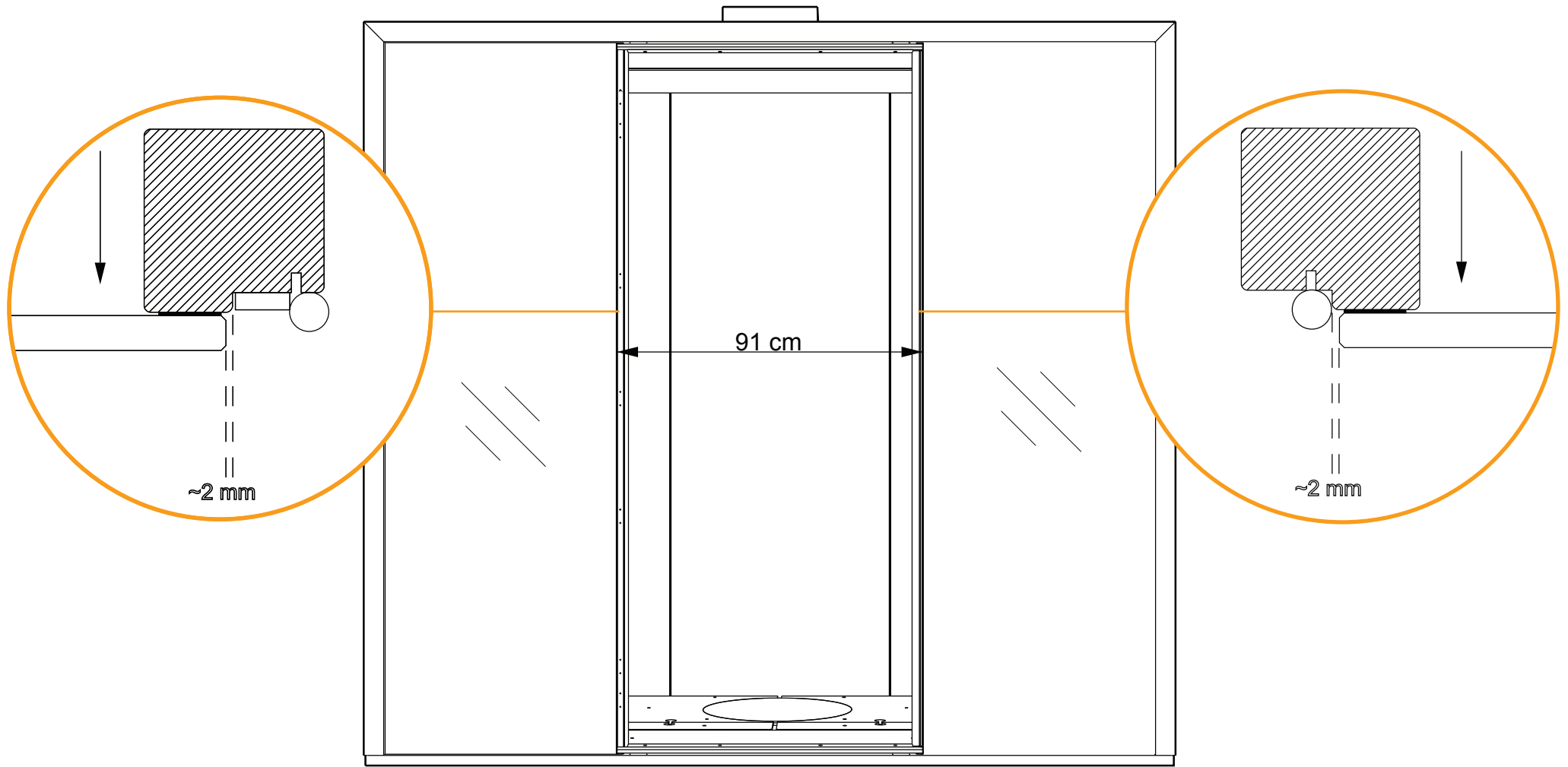
HINGE SIDE

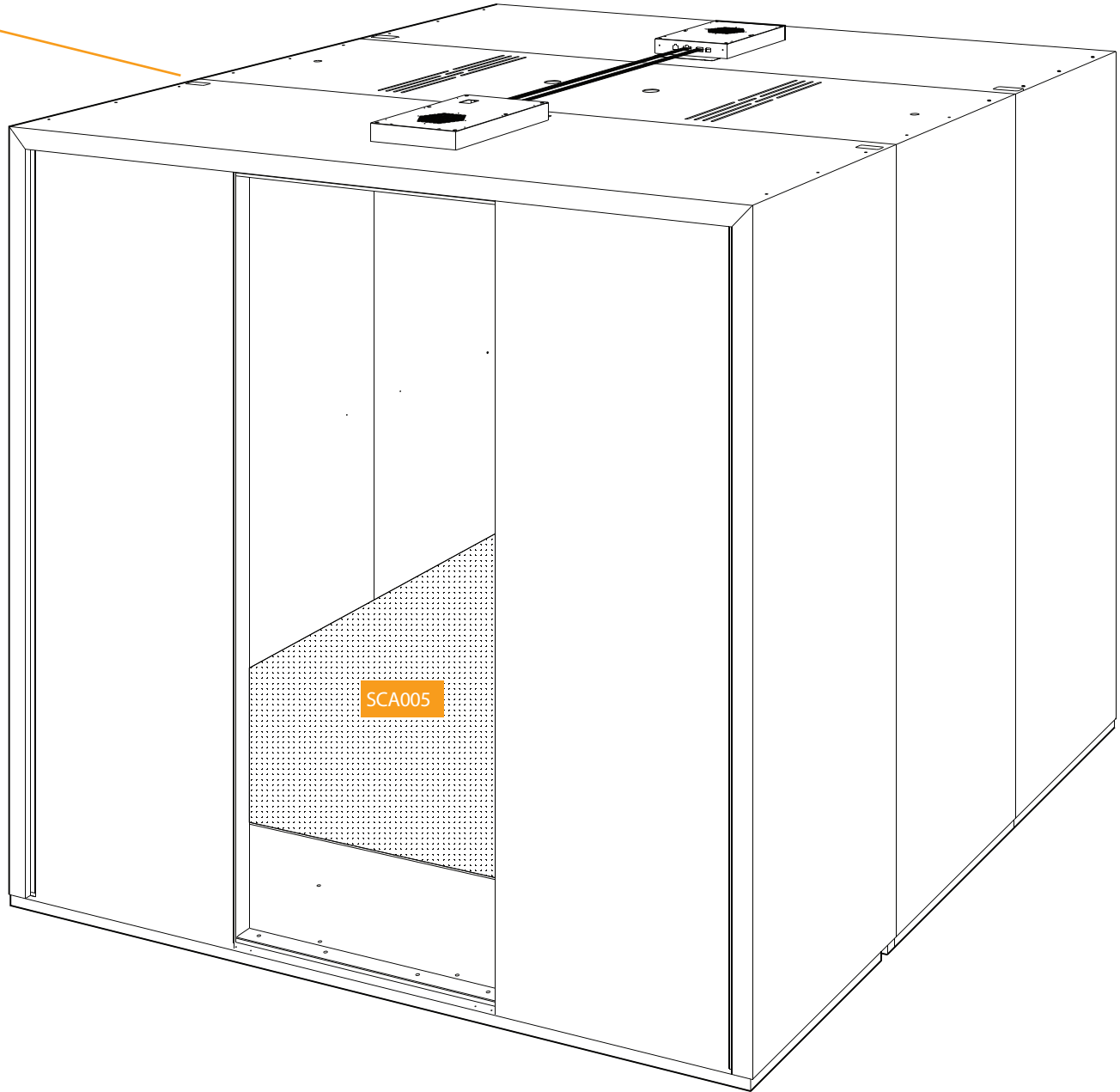
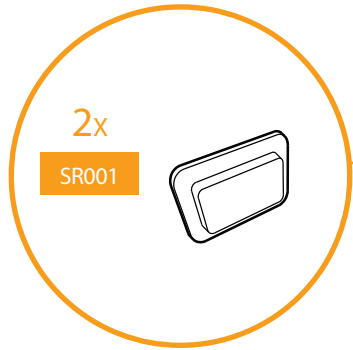


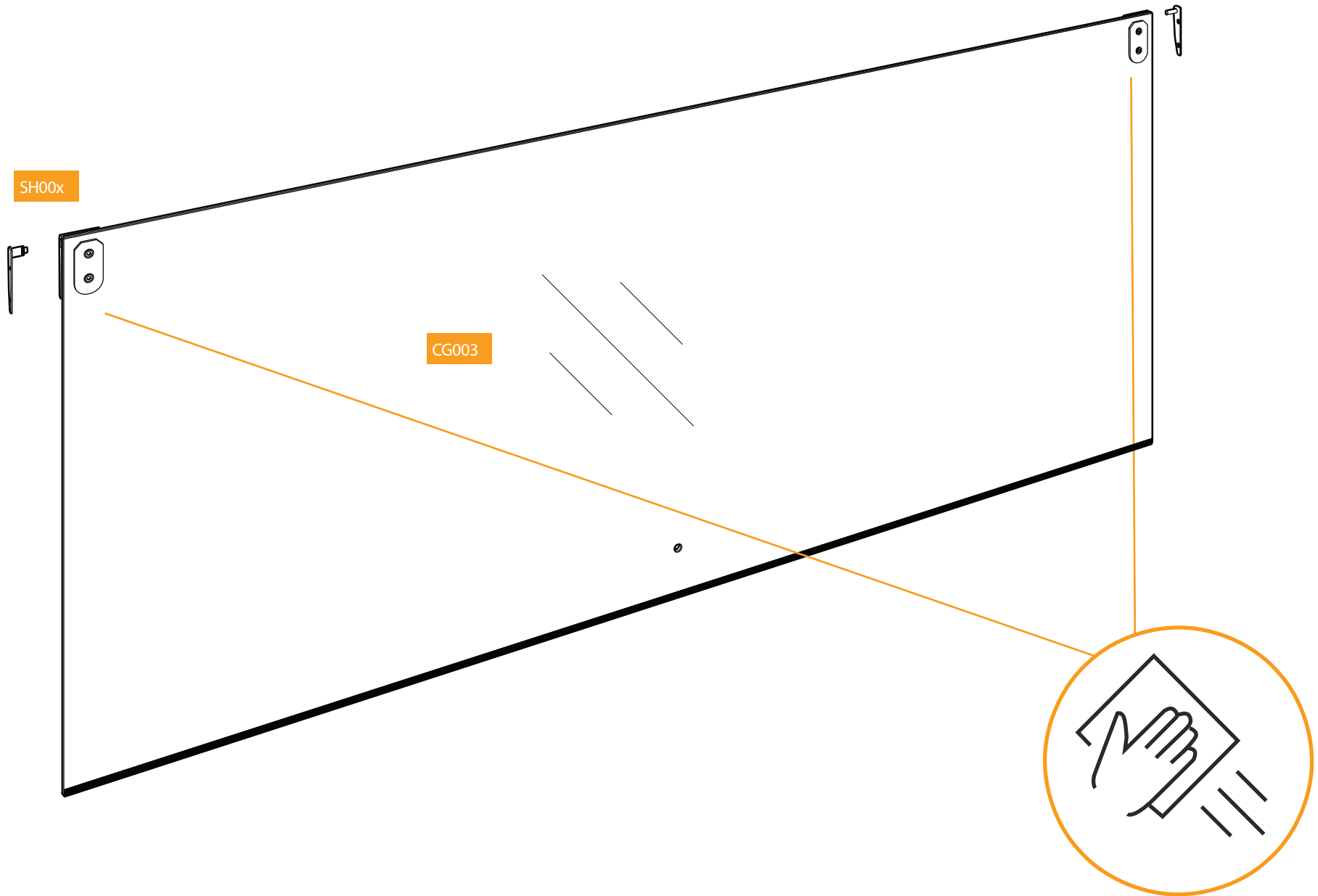








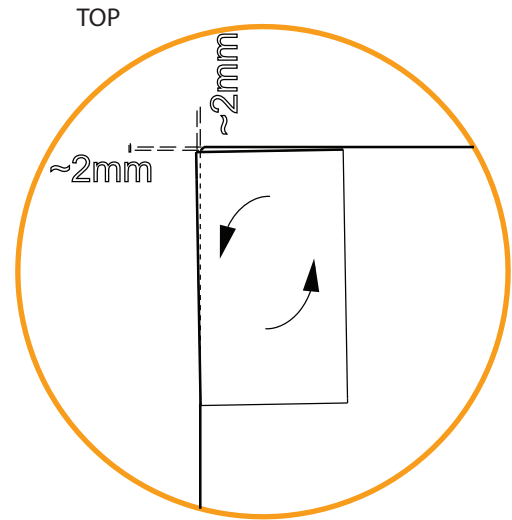
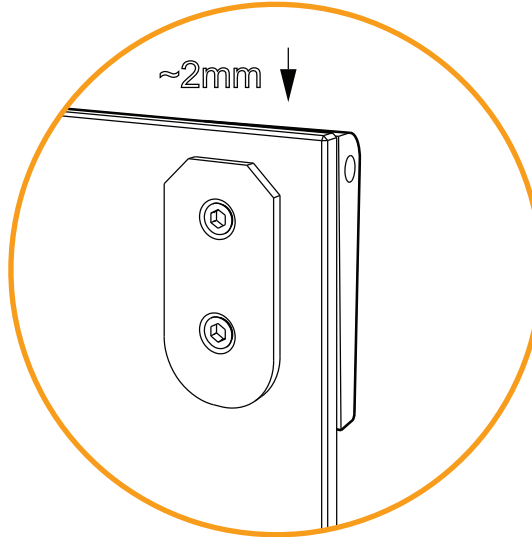
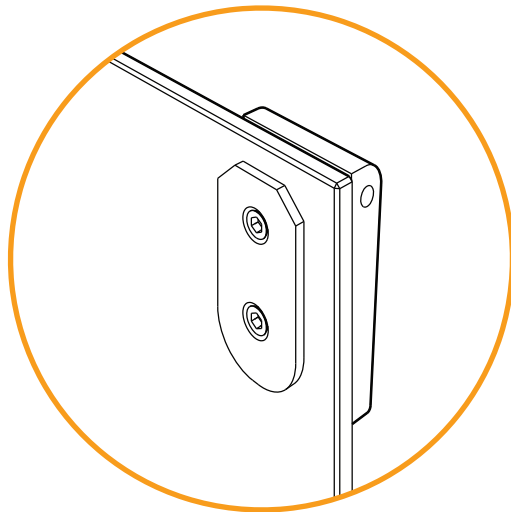
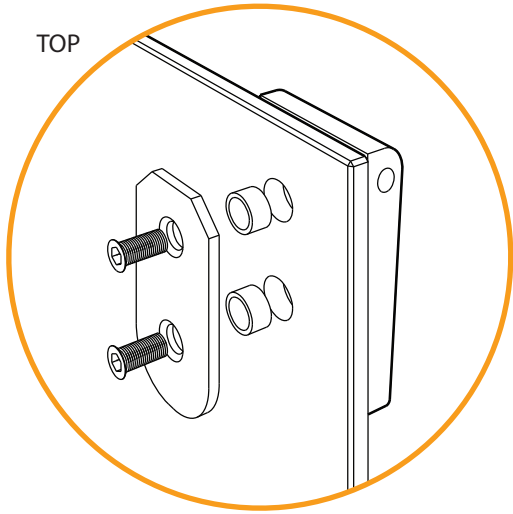




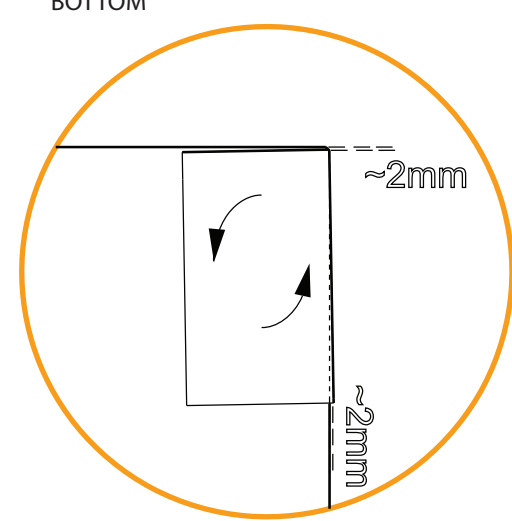
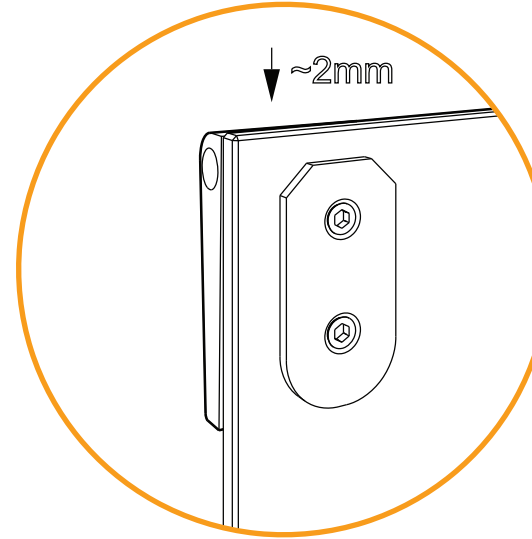
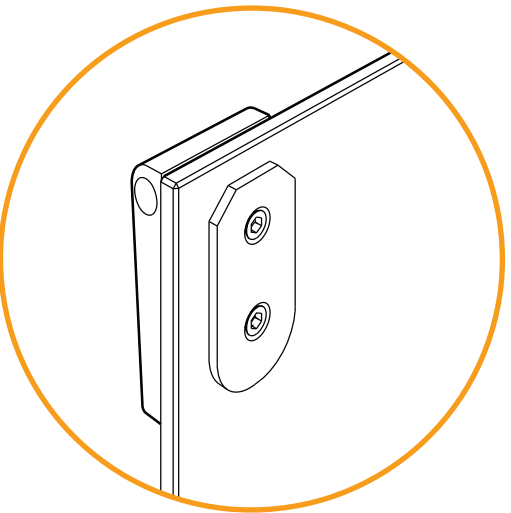
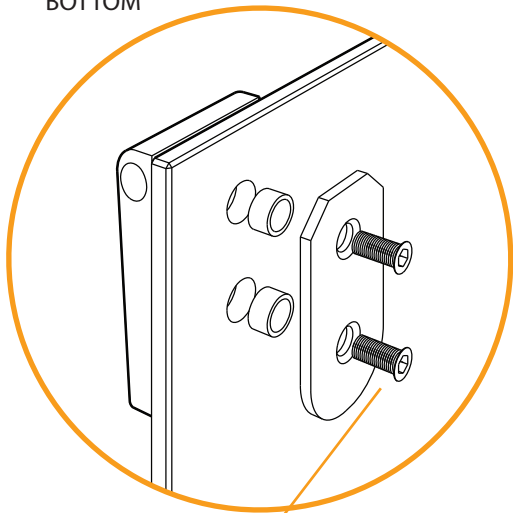
x2

Clean the glass before assembling the hinges.

TOP

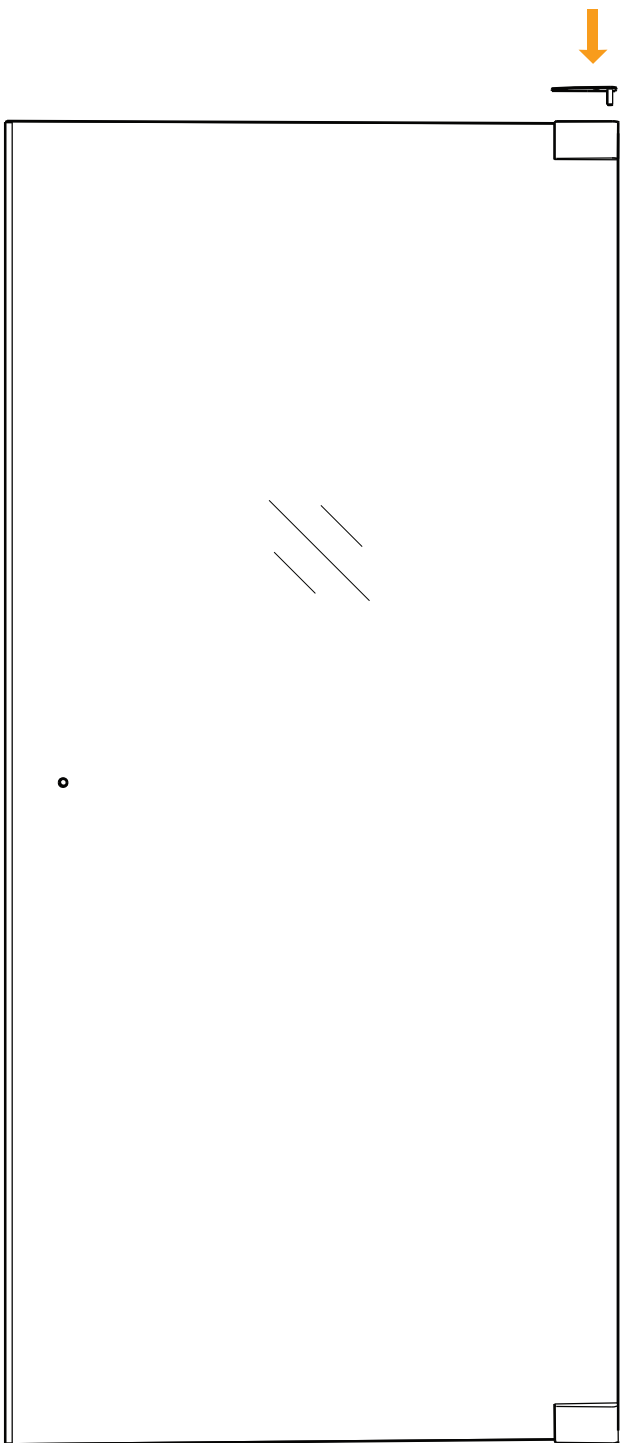


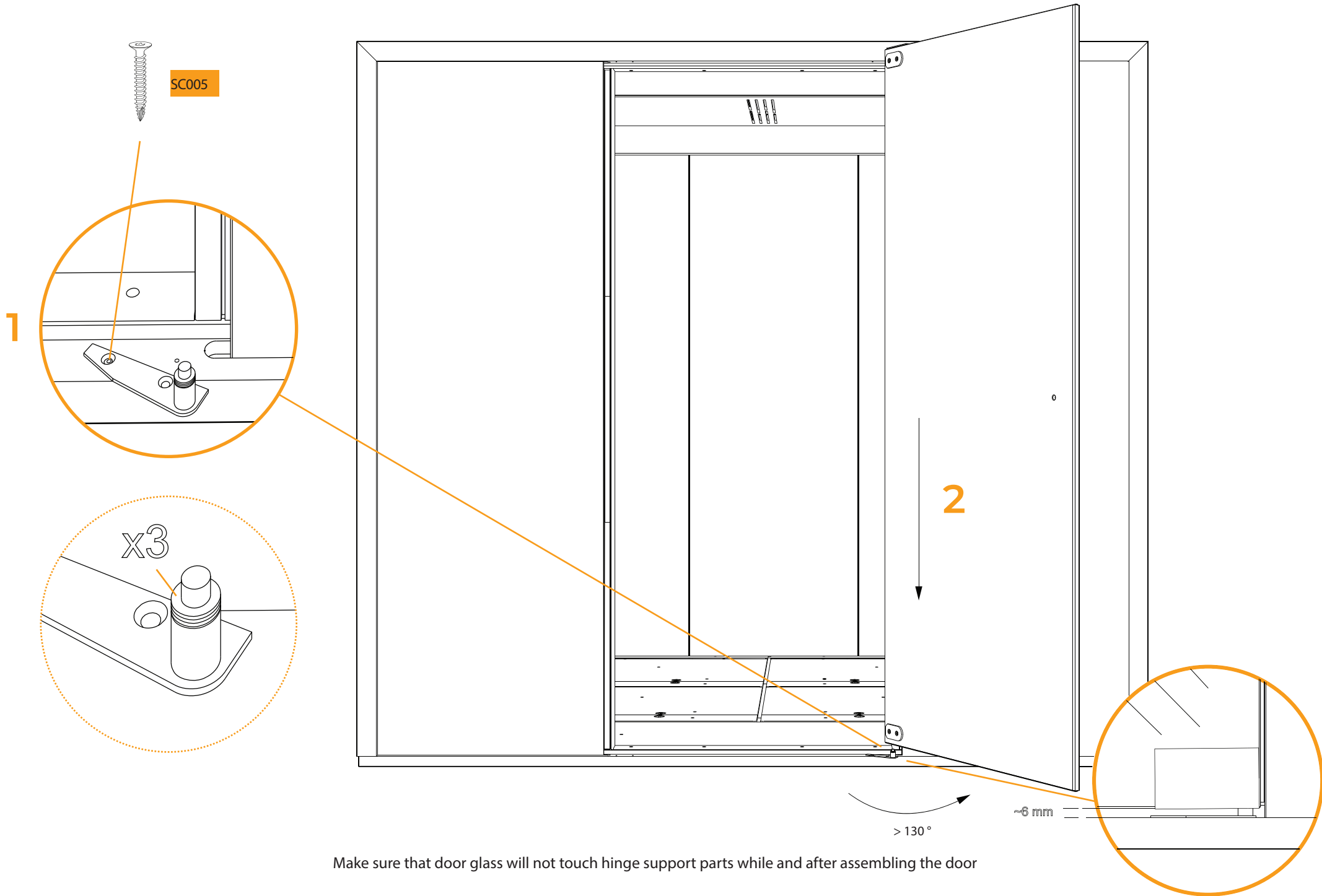
BOTTOM



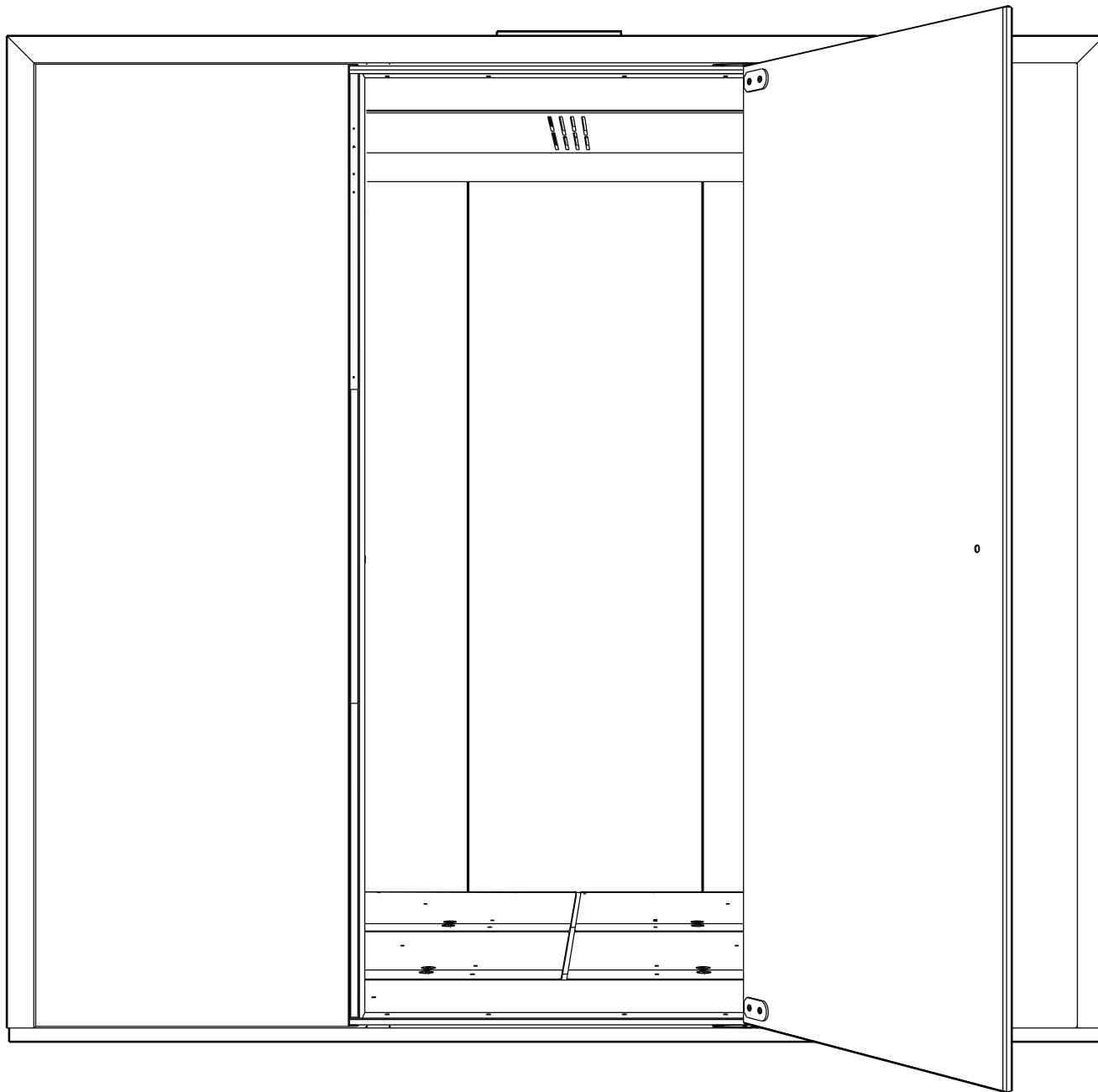
Never use drilling machine to tighten hinge screws

Torque = 20 Nm

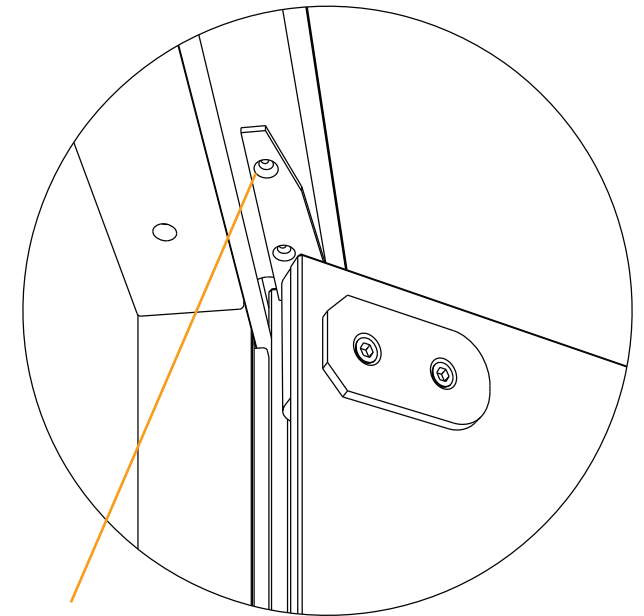




Make sure that door glass will not touch hinge support parts while and after assembling the door

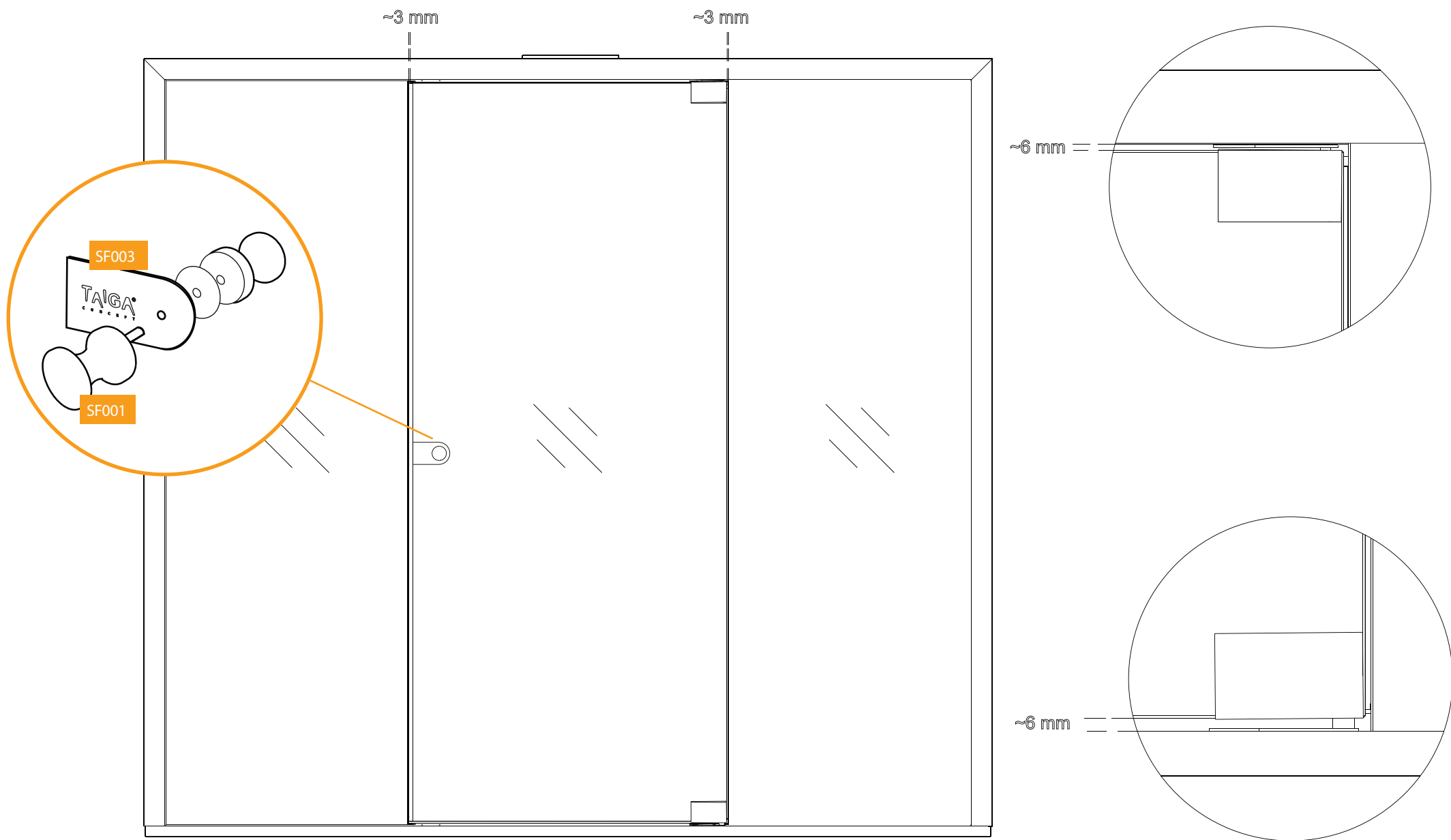


> 130°

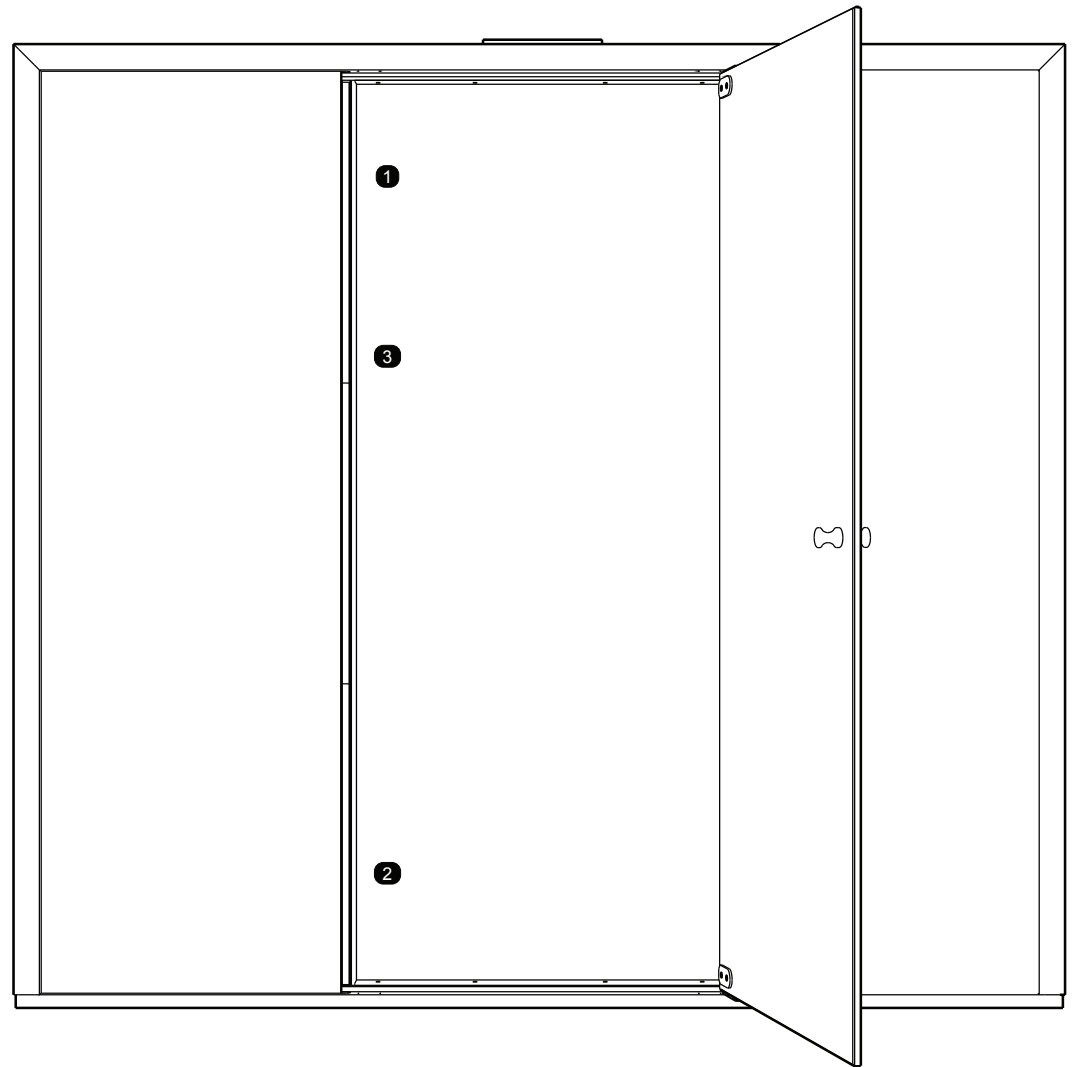
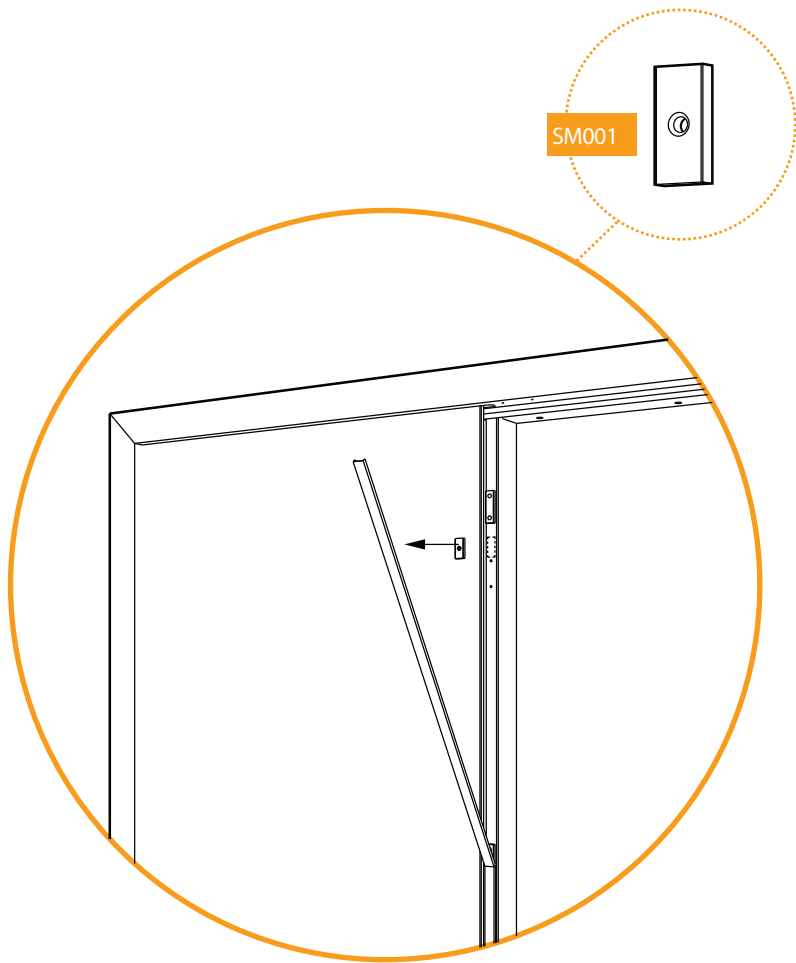


2x

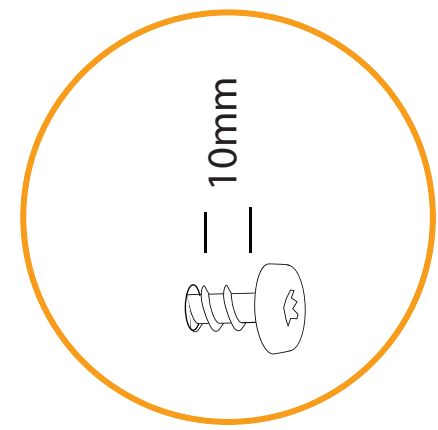
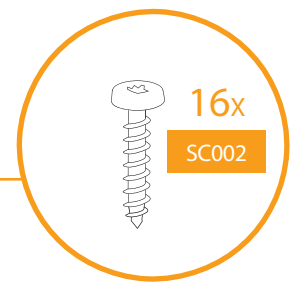
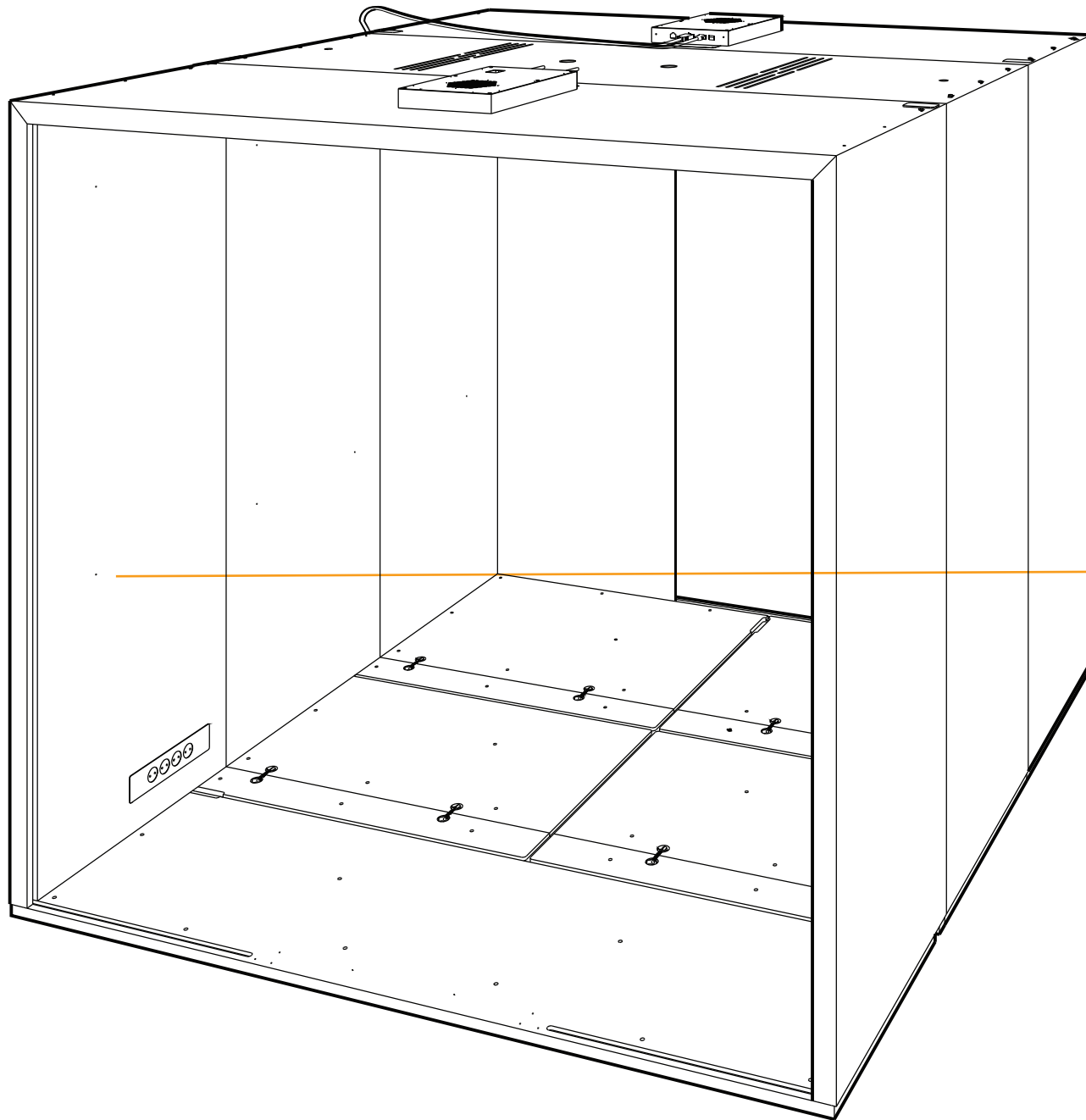
SC005

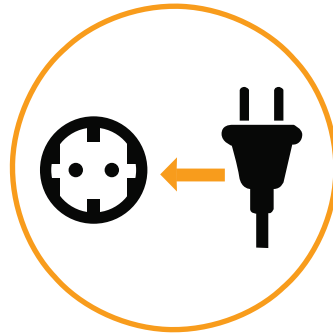
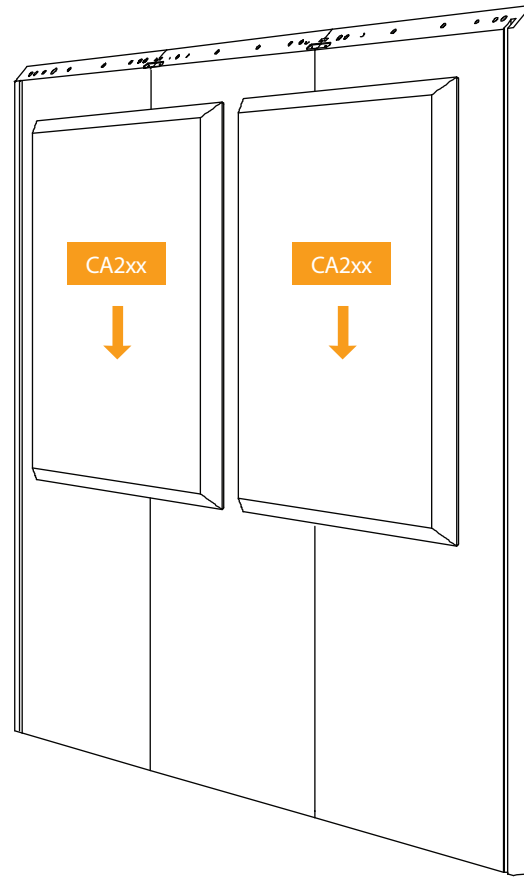
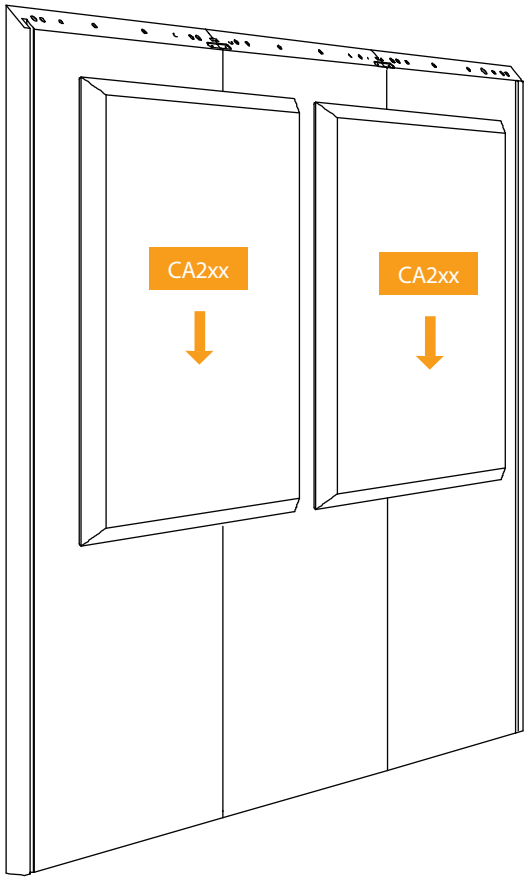


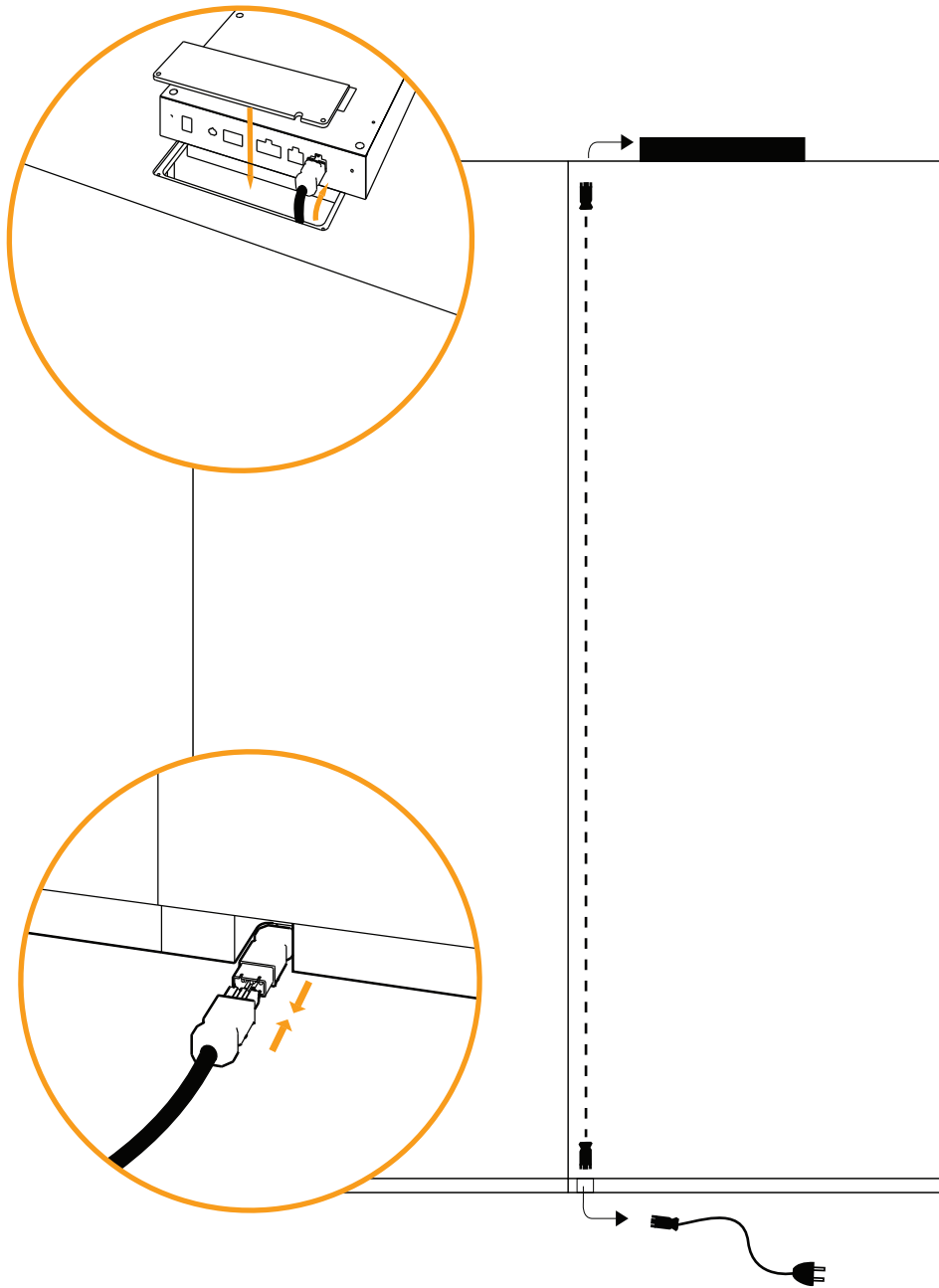
Turn on the ventilation, check each side and corner of the door by hand that there is no air leaks



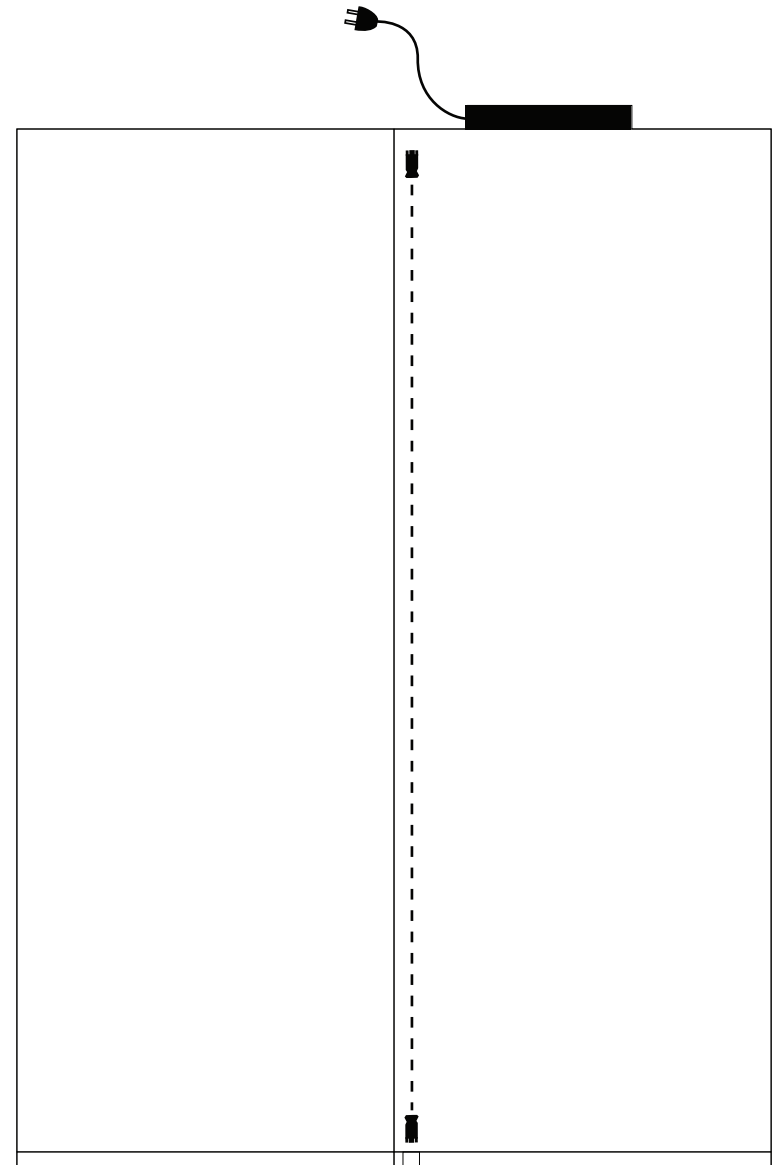
To increase magnetic strength add small magnets to metallic strip (no screws required)



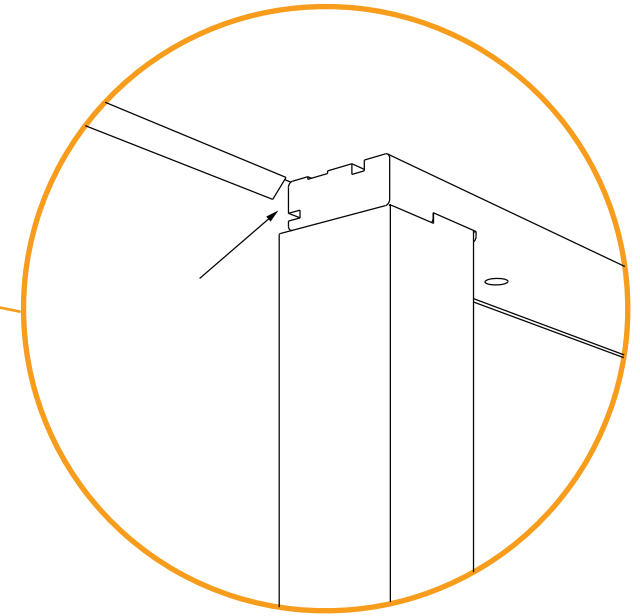
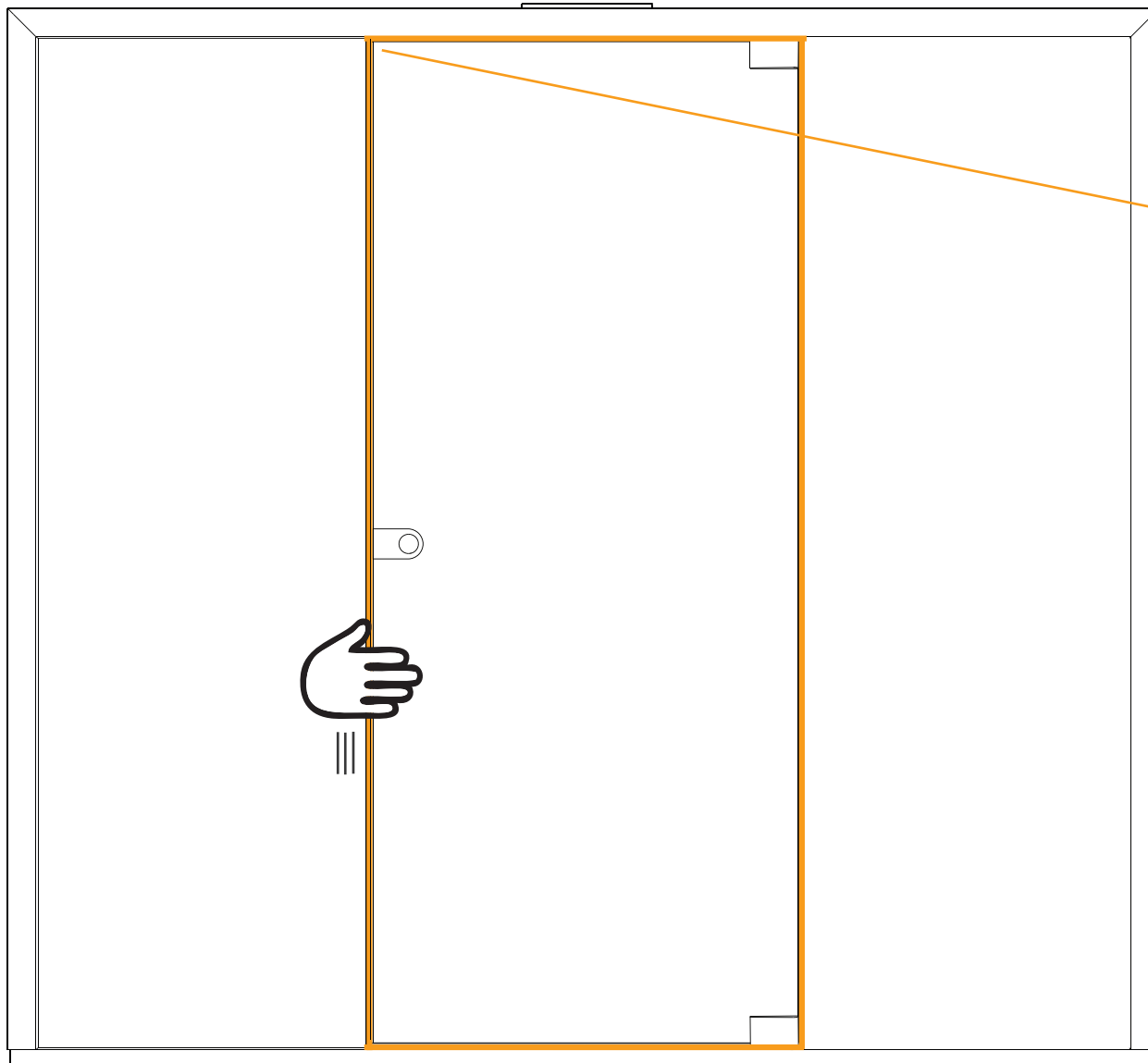




Option 1: Powercord assembled from floor level



Option 2: Powercord assembled from roof level



fill the holes with rubber seal SR006

Turn on the ventilation, check each side and corner of the door by hand that there is no air leaks
Check if there is any air leak between frames and elements/glasses.
Check that door glass touches the seals when door is closed

www.taigaconcept.fi

Assembly support +358 401 384 02