

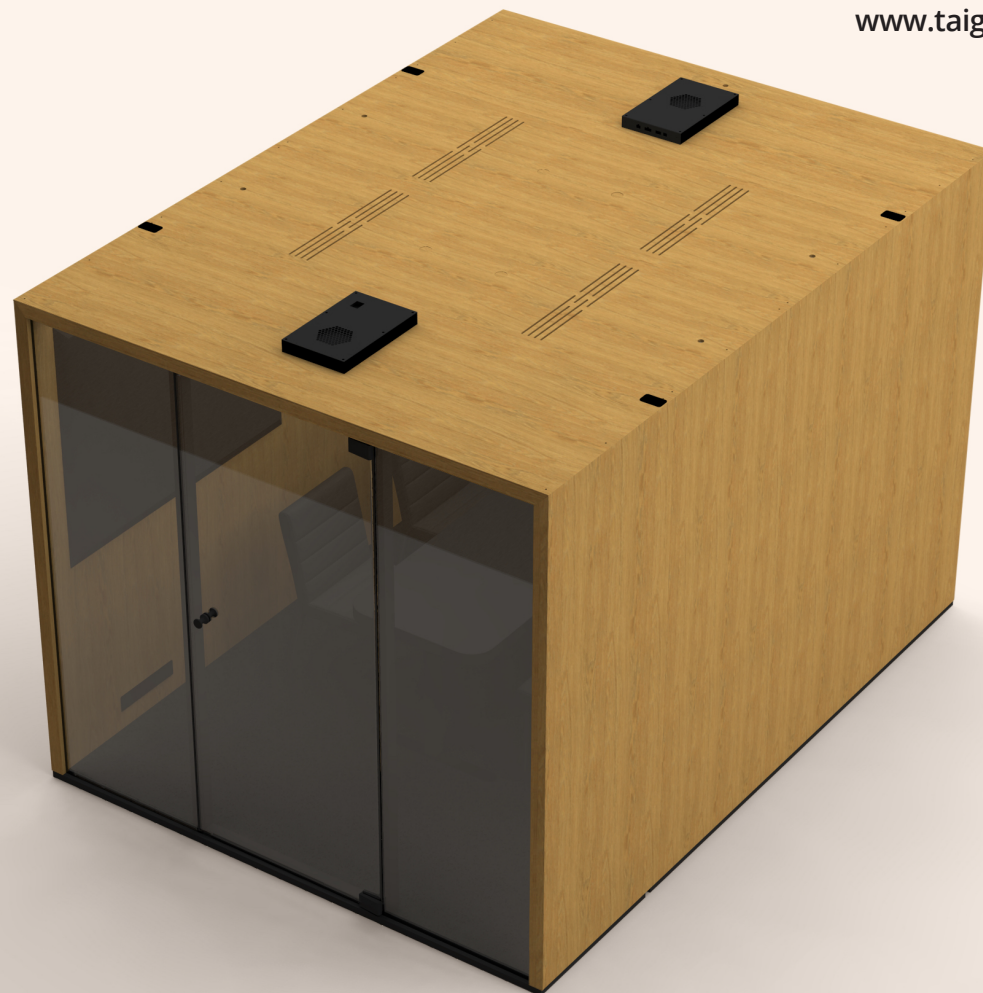
# ASSEMBLY GUIDE

LOHKO BOX 7



**TAIGA**<sup>®</sup>  
C O N C E P T

[www.taigaconcept.com](http://www.taigaconcept.com)



## Installation

Open the packing carefully not to damage the product.

Always follow assembly instruction when you assemble your product.

When moving the glass elements make sure you don't place them on hard surfaces as they will break easily.

When assembling the product make sure you can support the wall element until they are stable.

Taiga Concept recommend to use authorized installation persons and will not take responsibility for any harm to persons or goods due to irresponsible actions.

Product may have some smell after assembling but it will disappear in few weeks.

Before installation find out your country fire regulation and contact your local Taiga dealer.

Do not carry out your own modifications to the product, as it will automatically end warranty.

Check building / floor weight capacity before assembling the products.

## Maintenance

After assembling the product, wipe all surfaces with clean damp cloth. Avoid using too much water, as it will damage the product. Prolonged direct sunlight may change the color of wooden surfaces over time.

Check tightness of hinges and door position every six month.

## Choosing location

Always place the product inside the building.

Room temperature needs to be minimum 10°C.

Do not place the product to space that is wet or where has high humidity.

Place the product so that the minimum space between roof element and ceiling needs to be at least 10 cm. Building ceiling height minimum of 230 cm.

When placing the product make sure the door will not block any walkway and that it does not damage when open.

Maximum floor deflection  $\leq 0,7^\circ$  degree / meter.

## Warranty / Contact

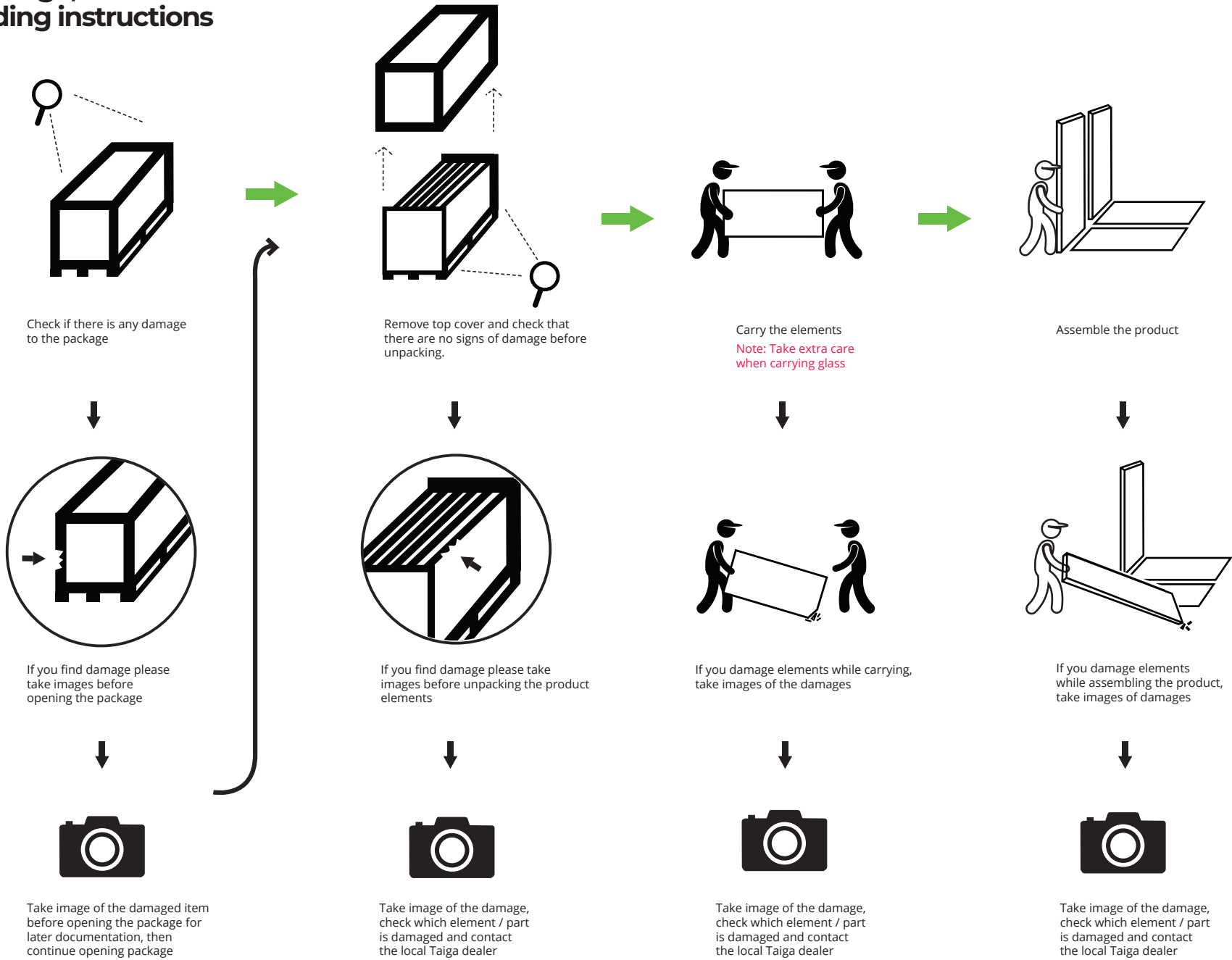
Upon successful installation please inform the local Taiga dealer to activate the warranty.

Warranty is not valid if assembly has been carried out in contradiction to the installation guide.

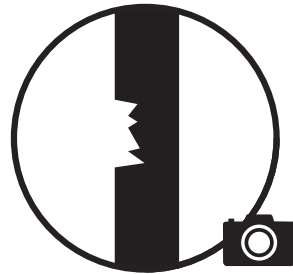
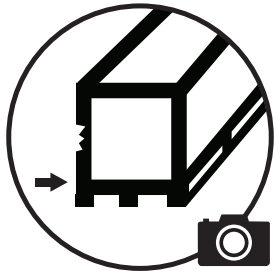
It is recommended to use Taiga Concept local dealers authorized assembling person.

If you have any questions or problems during installation, please contact your local Taiga dealer.

# If you find damage, document with photos according instructions



### How to document if you find damage in package

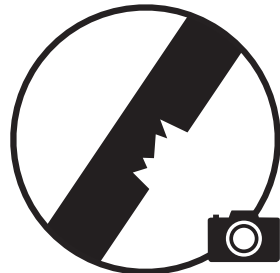
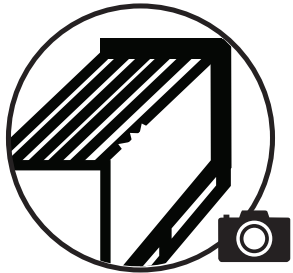


1. Take images where you can see full package from 2 different angles which show the damage

2. Take closer images of the damage

3. Contact your local Taiga dealer

### How to document if you find damage in the product

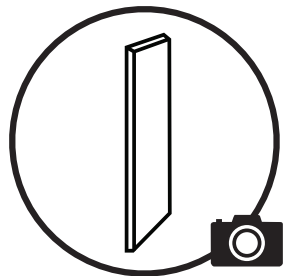


1. Take images where you can see full package from 2 different angles which show the damage

2. Take closer images of the damage

3. Contact your local Taiga dealer

### How to document if you cause damage while carry or assembling the product



1. Take images where you can see the whole element from 2 different angles which show the damage

2. Take closer images of the damage and check which element / glass is damaged.

3. Contact your local Taiga dealer



# Elements & Components

**Floors**

- 1x CF007
- 2x CF006
- 1x CF004

**Walls**

- 1x CW020
- 1x CW016
- 1x CW017
- 4x CW018
- 1x CW019

**Roofs**

- 1x CR007
- 1x CR004
- 2x CR006

**Glass**

- 1x CG003
- 2x CG004 (Width 700mm)
- 3x CG005 (Width 767mm)

**Acoustic panel & carpet**

- 4x CA2xx
- 1x SCA007

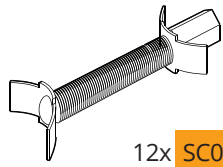
**Frames & Joints**

- 1x CD004
- 1x CD005
- 2x CD006
- 6x SR006 (Width 2135 mm)
- 3x SR007 (Width 2335 mm)

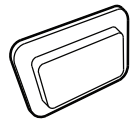
**Cables & control panel**

- 1x EP106
- 1x EC1xx (500cm)
- 1x EC221 (200cm)
- 1x EC220 (Width 700mm, 200cm)
- 1x EP109 (100cm)

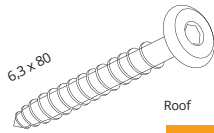
# Elements & Components



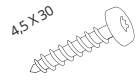
12x **SC006**



Roof  
4x **SR001**



Roof  
24x **SC001**



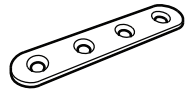
Doorframe & acoustic panel  
24x **SC002**



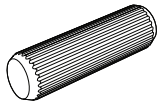
Wall connector plate  
24x **SC003**



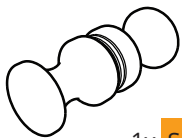
Hinges  
4x **SC005**



6x **SF006**



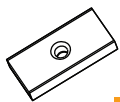
84x **SR003**



1x **SF001**



1x **SF003**

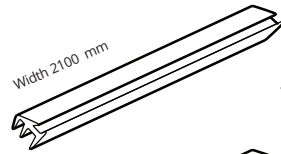


3x **SM001**

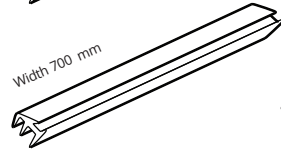


8x **SF002**

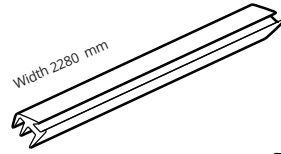
Screws & Accessories



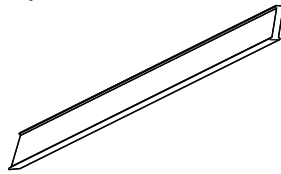
Width 2100 mm  
4x **SS002**



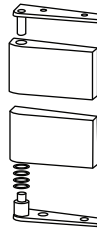
Width 700 mm  
4x **SS003**



Width 2280 mm  
2x **SS004**



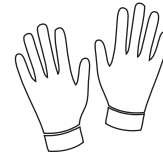
2x **SS005**



1x **SH00x**

Seals

# Equipments & tools



Gloves



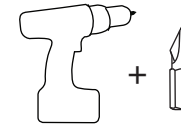
Safety glasses



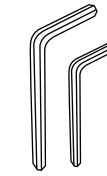
Safety shoes



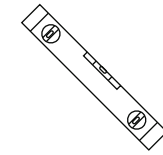
Safety helmet



Screw machine + bits



Hex key set



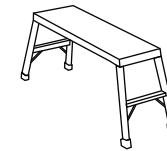
Spirit leveler



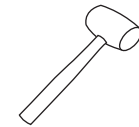
Small adjustable wrench



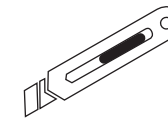
2x  
Glass suction cup  
min weight capacity 50 kg / pcs



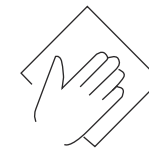
Step ladder



Rubber hammer



Carpet knife

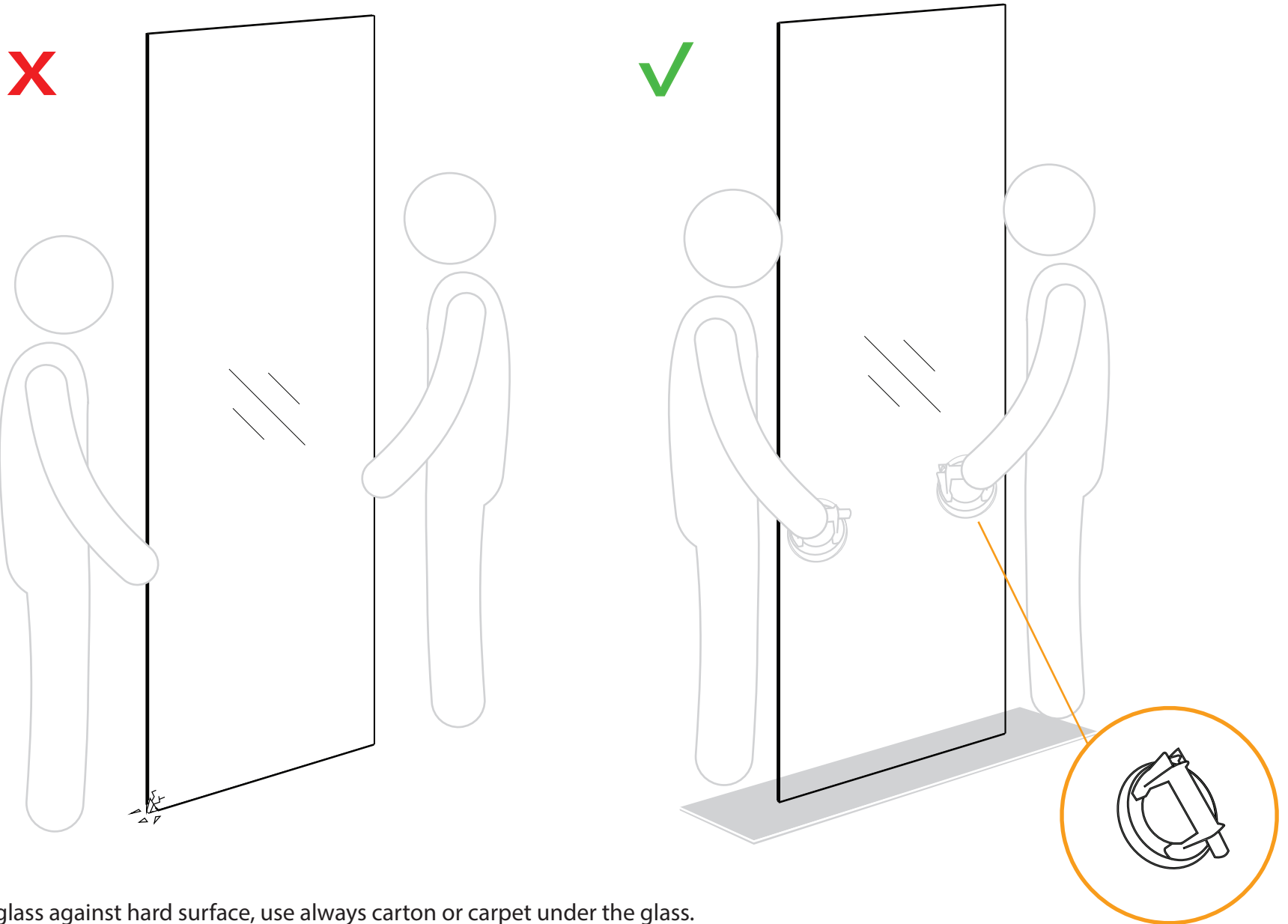


Cleaning tools

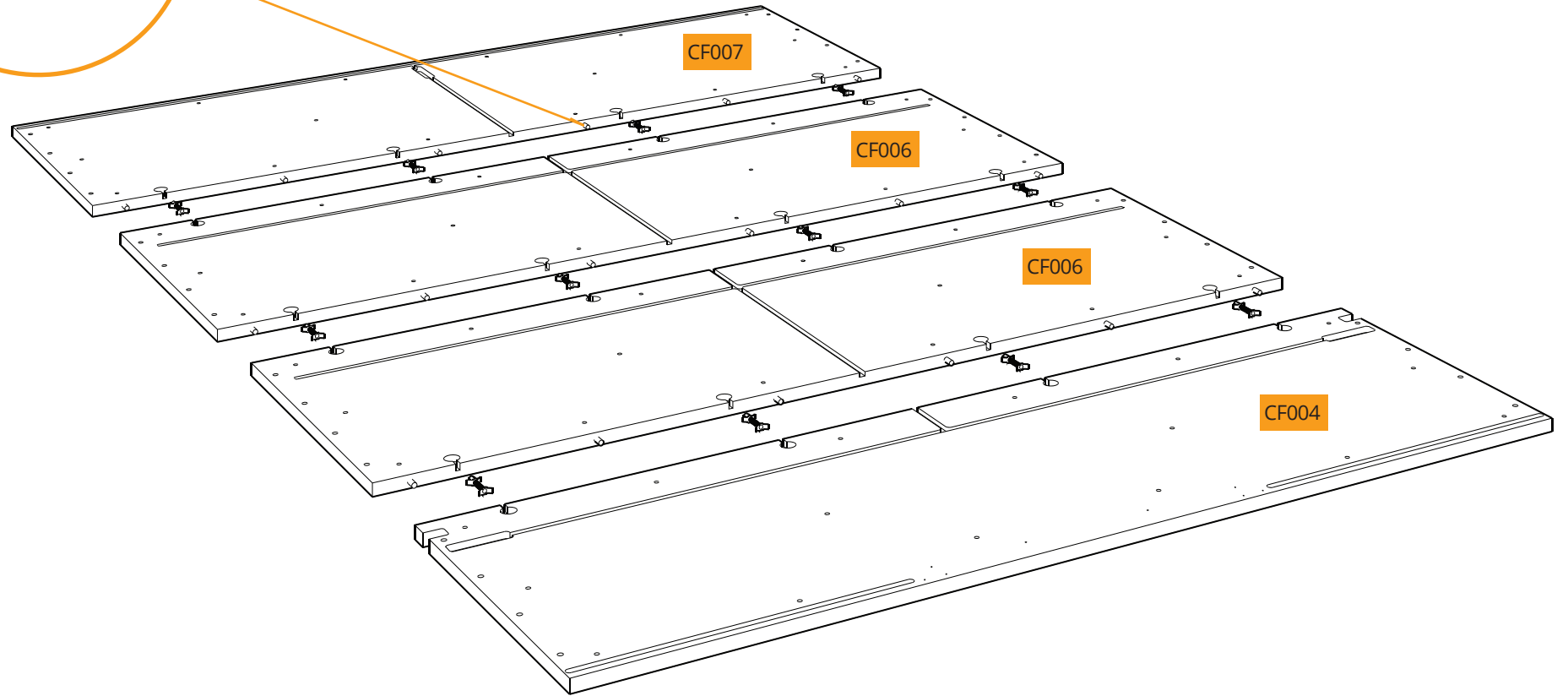
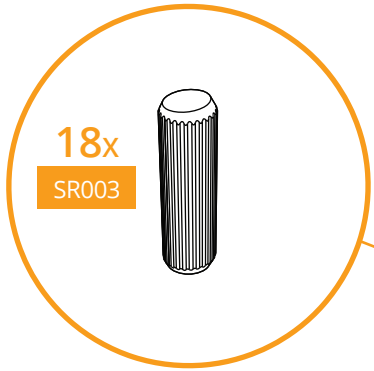


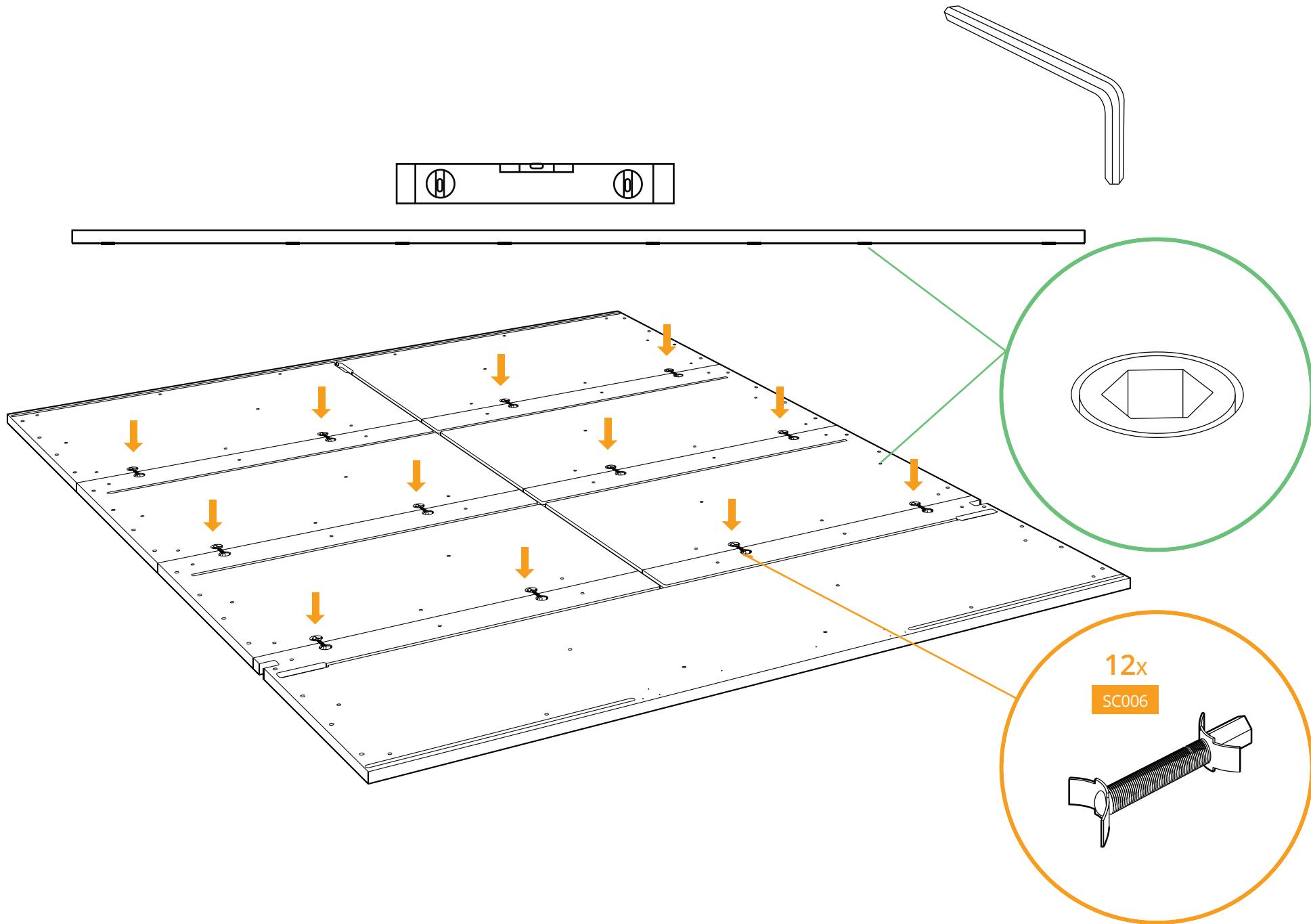
Protection material  
for elements and glasses

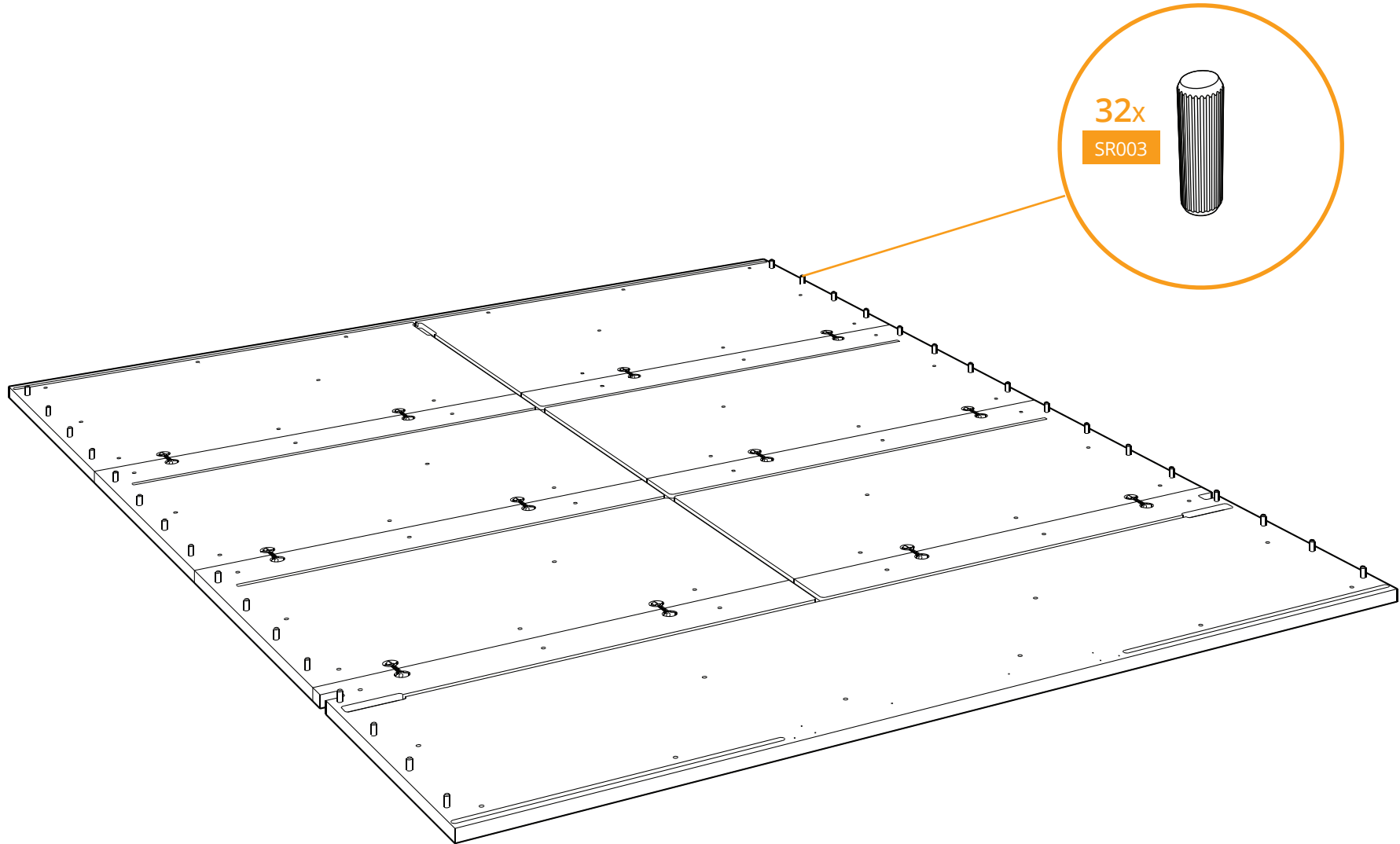
# ATTENTION



Never put glass against hard surface, use always carton or carpet under the glass.  
Use always 2 person and suction cups to lift glass



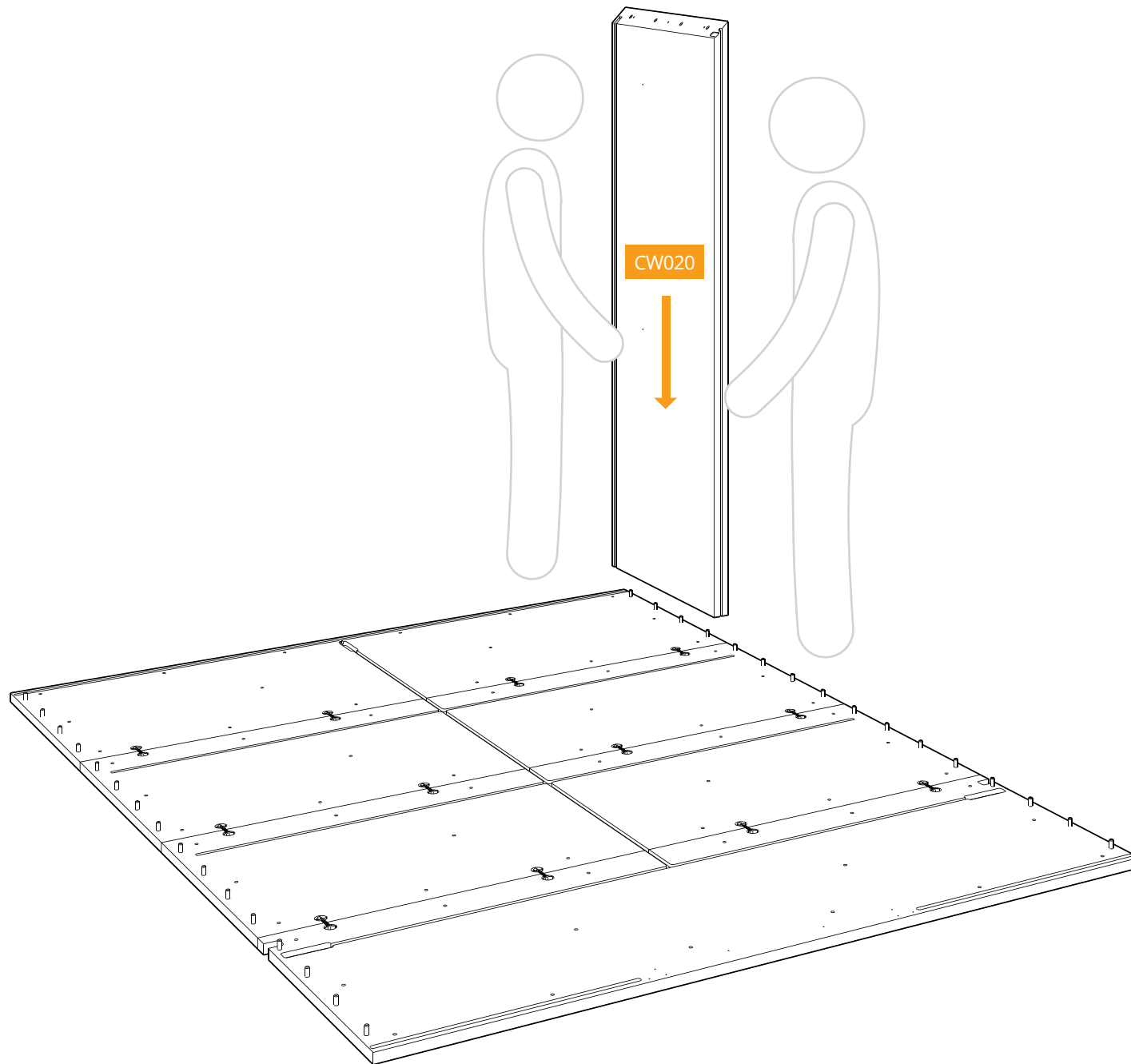




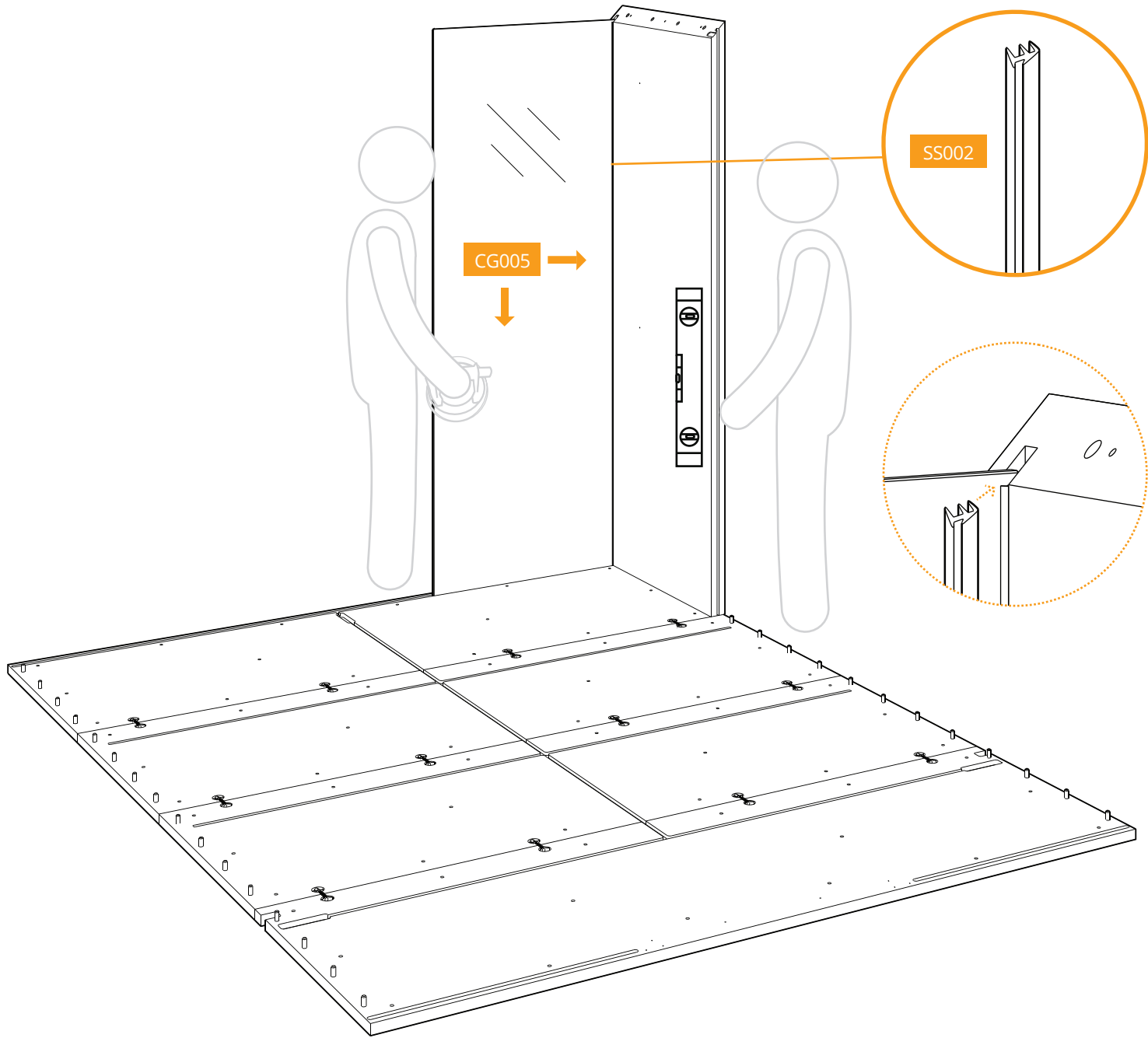
32x

SR003



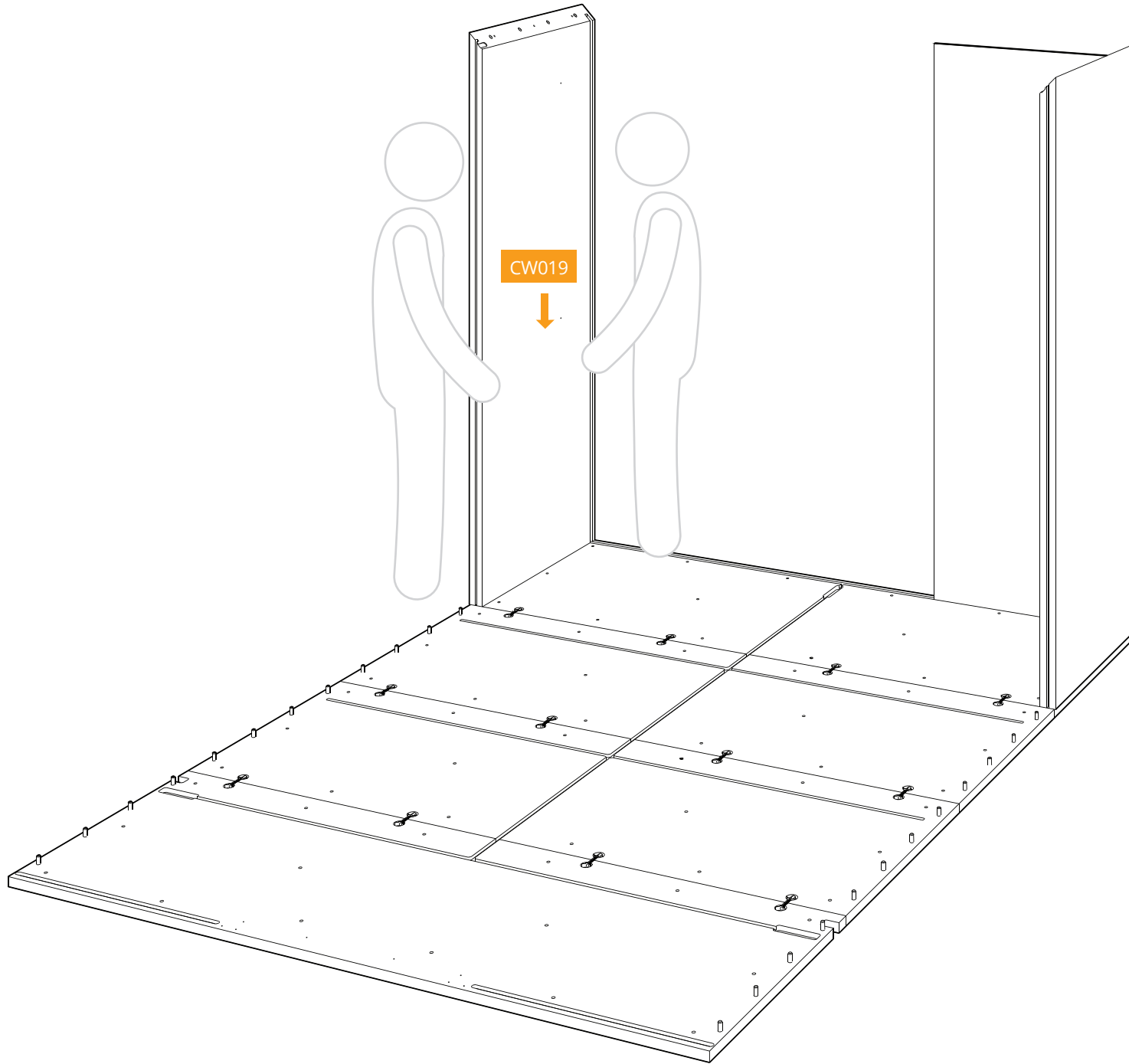


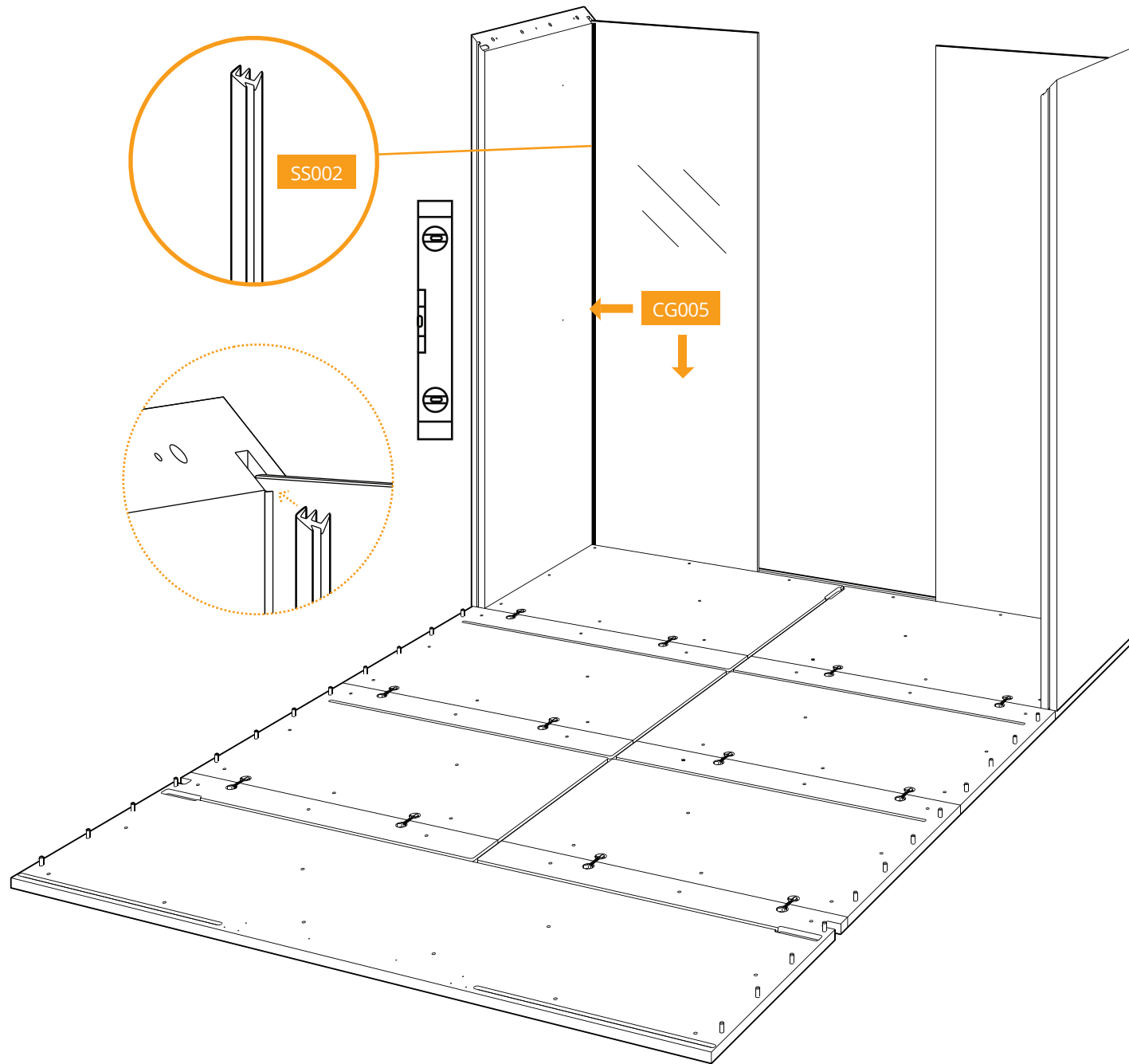


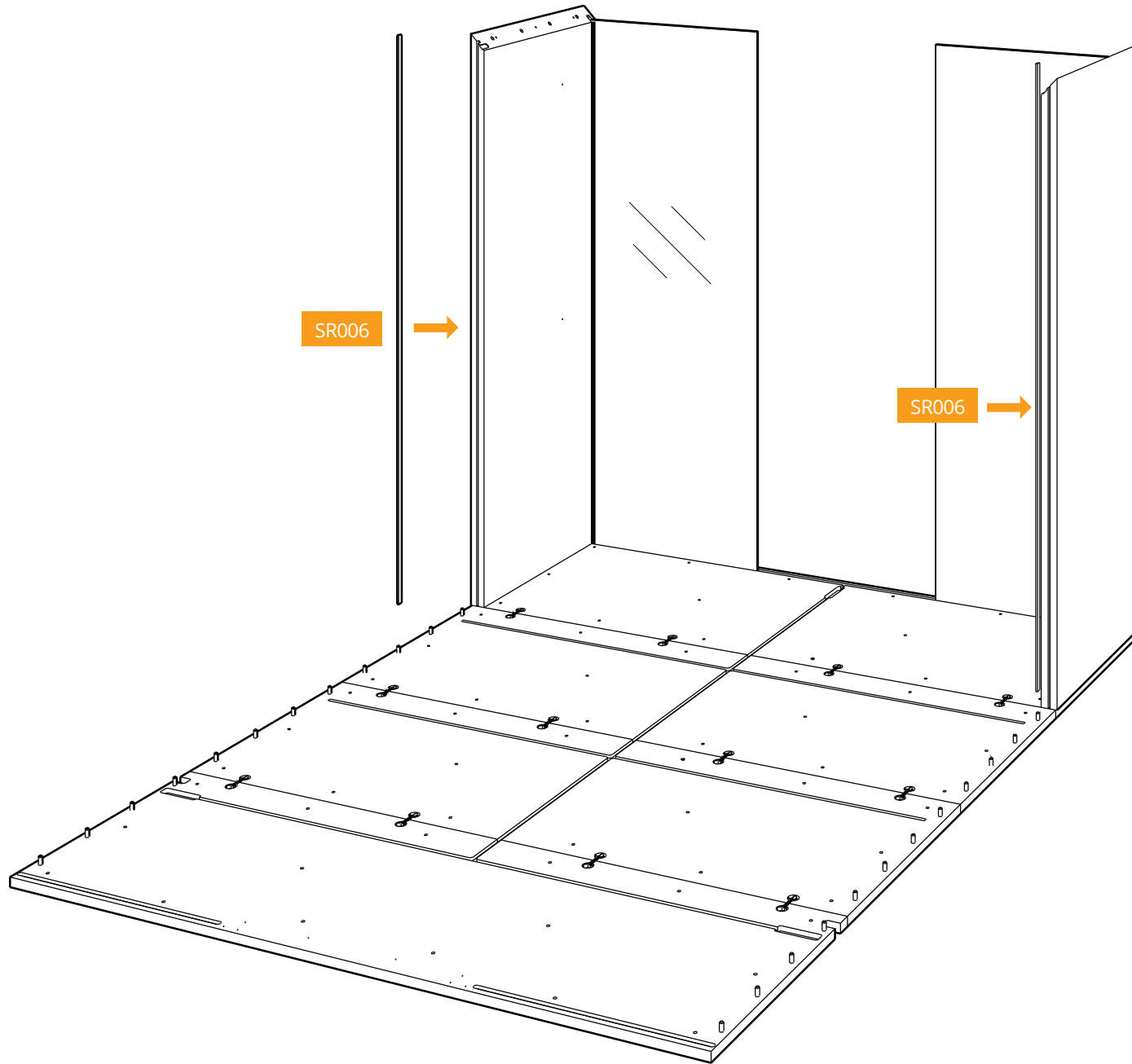


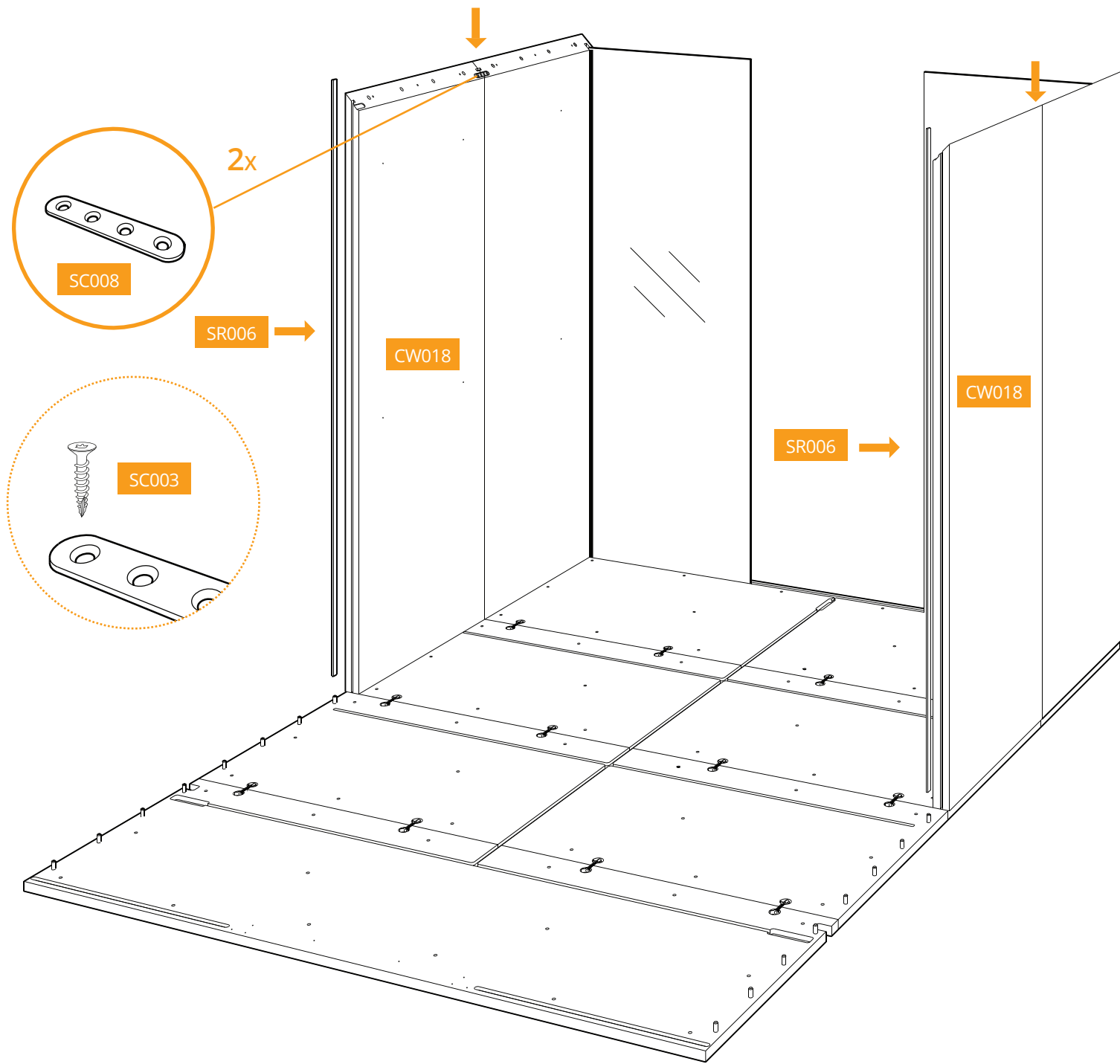
CG005

SS002



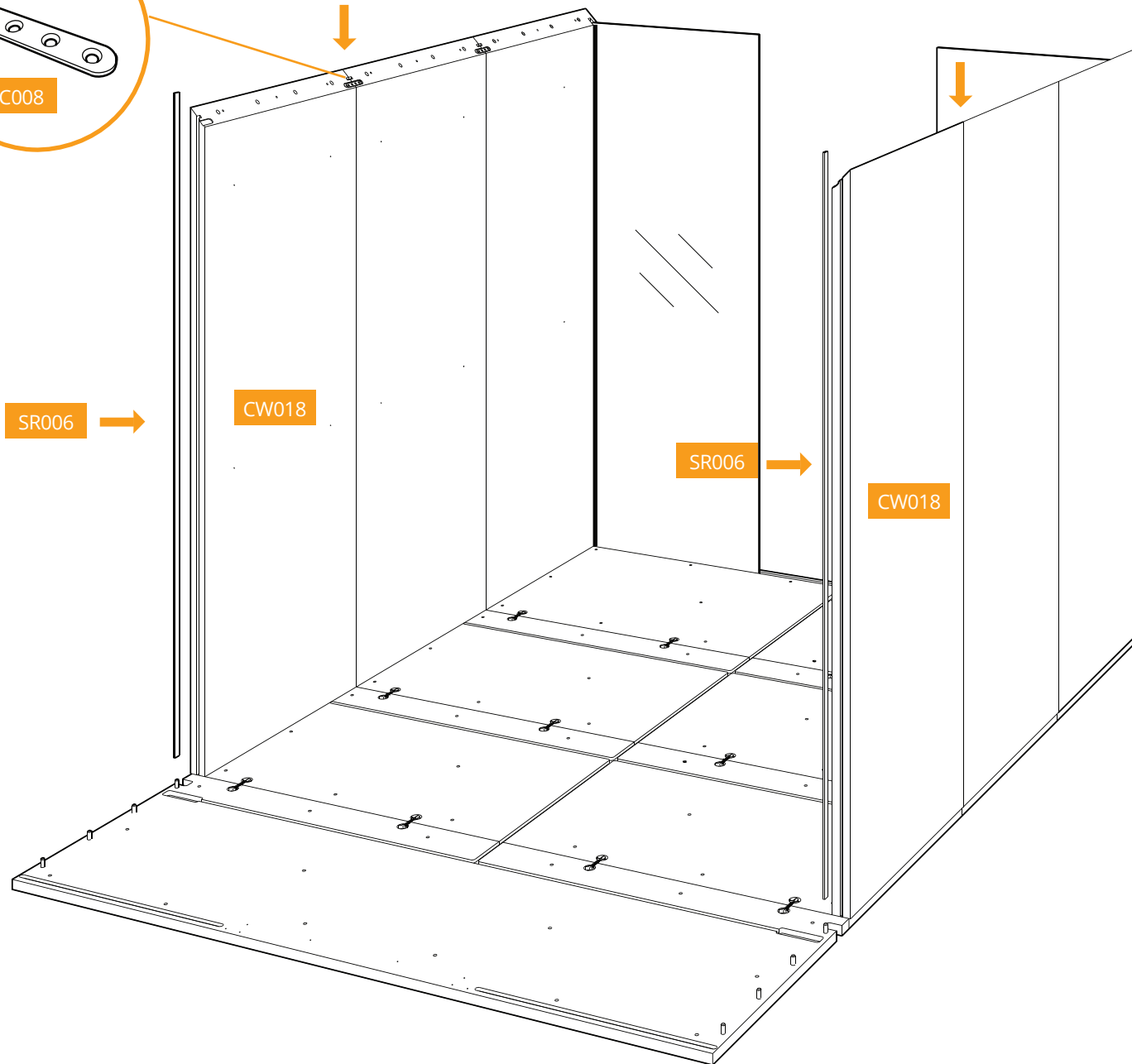








2x



SC008

SR006 →

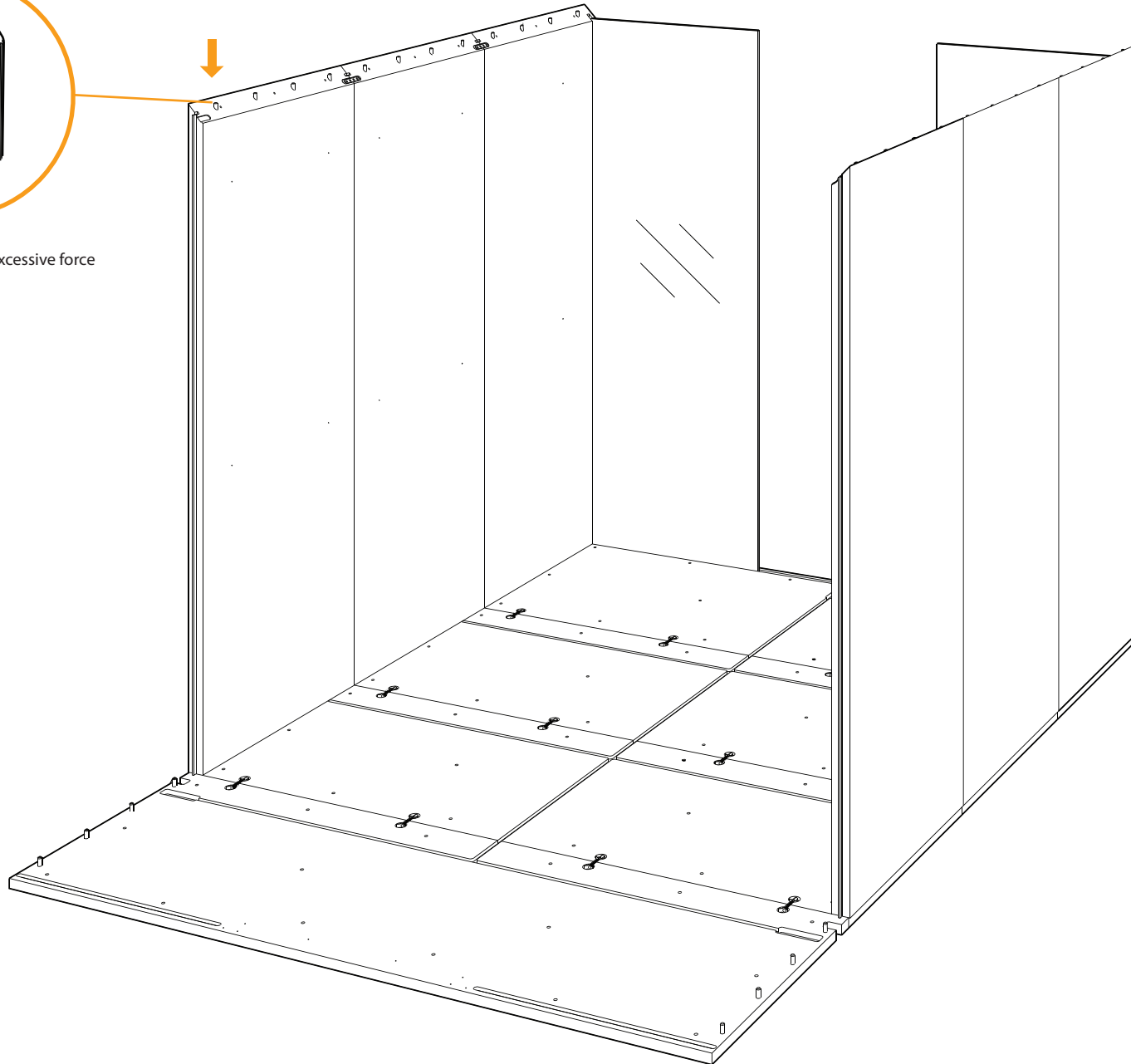
CW018

SR006 →

CW018

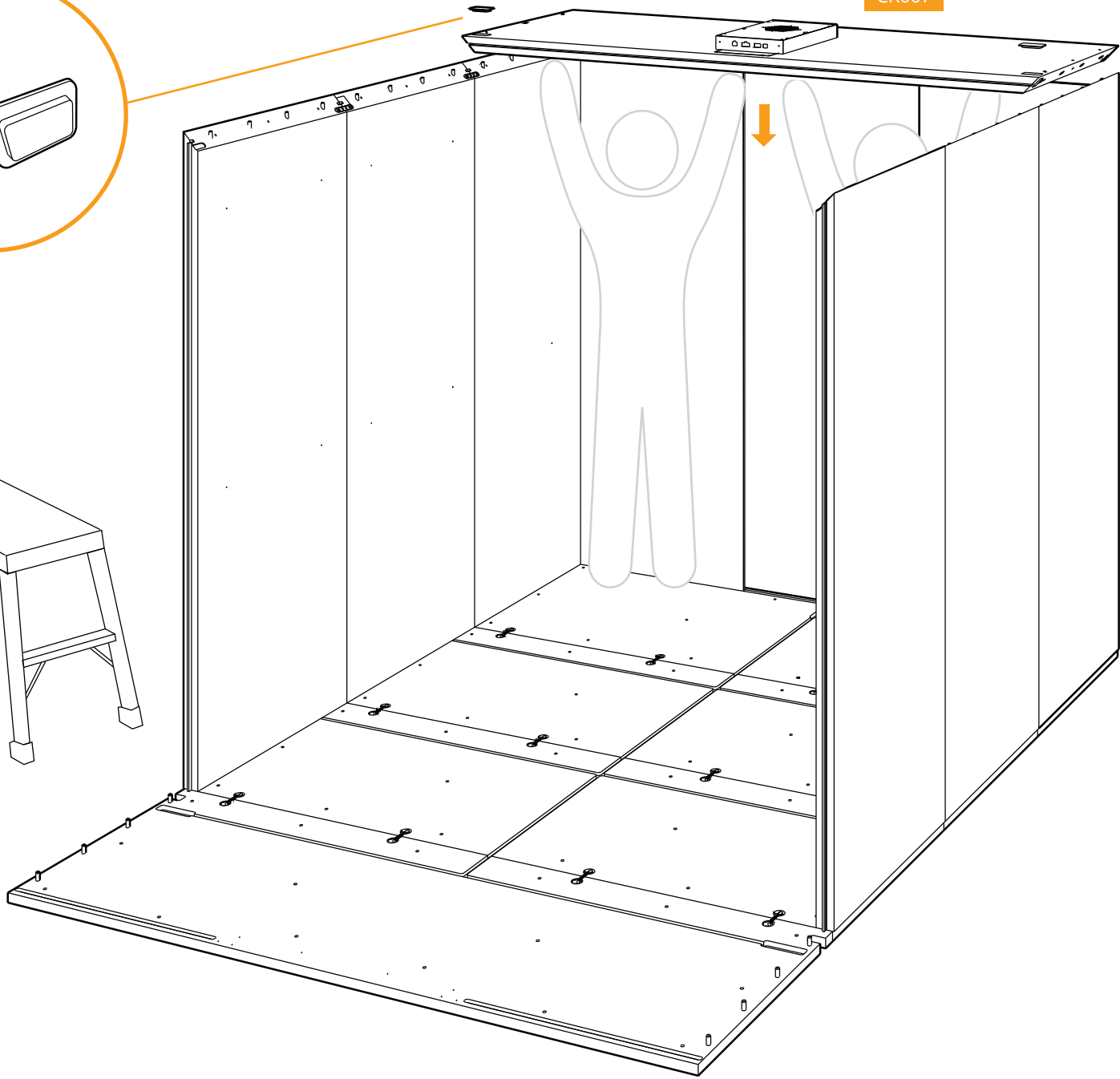
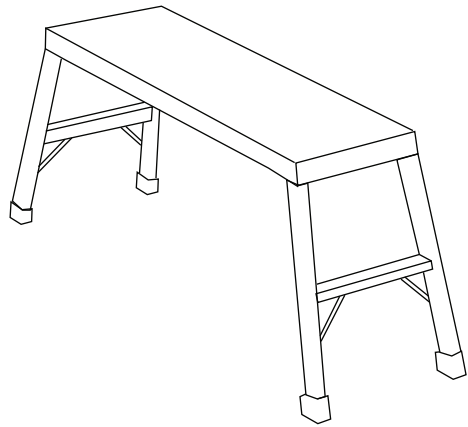
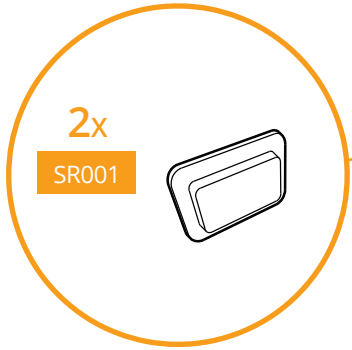


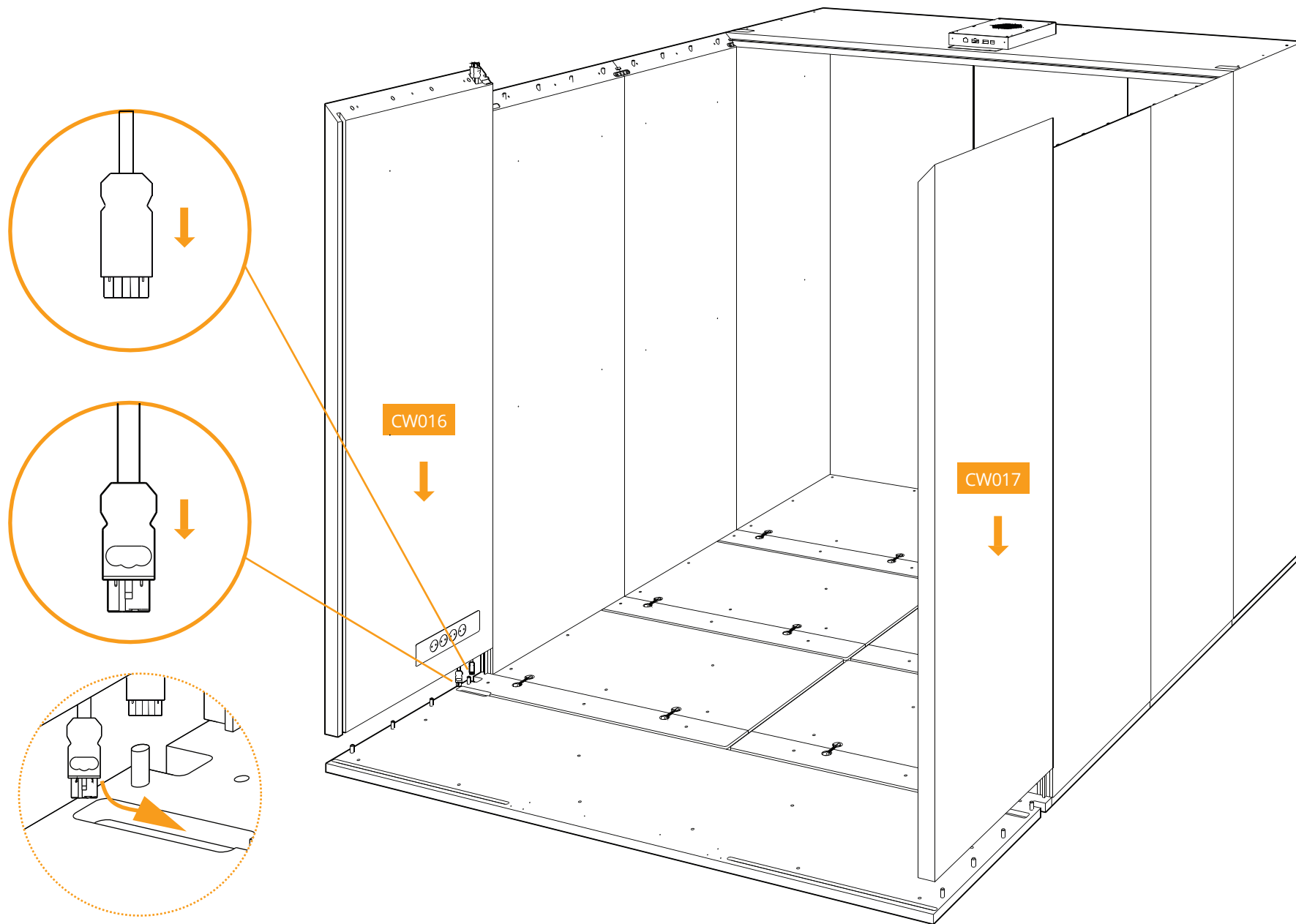
Warning: Do not apply excessive force

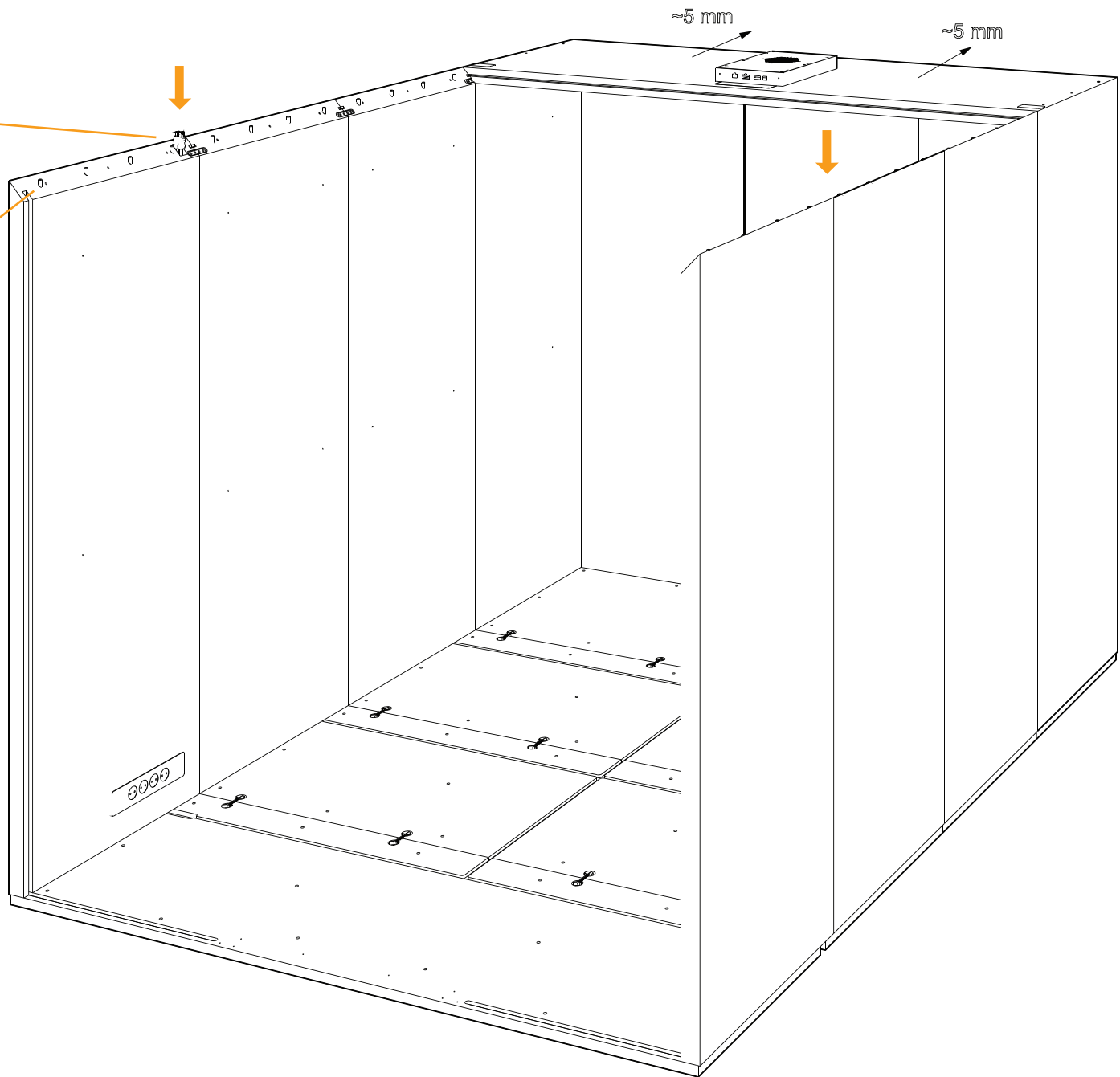
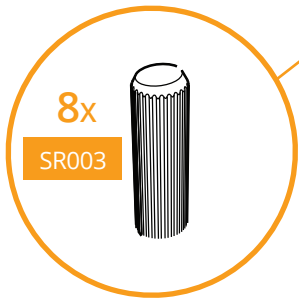


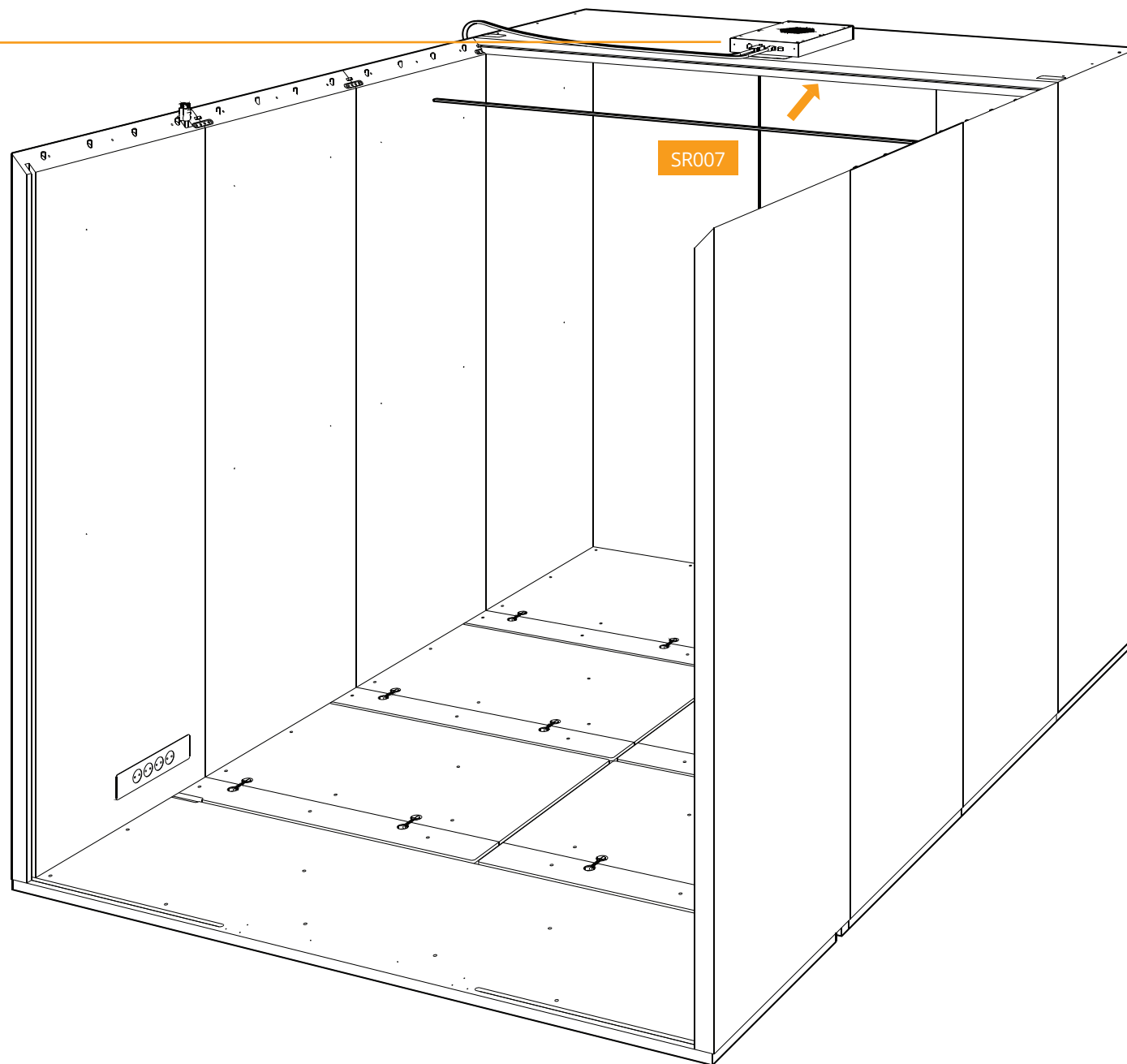
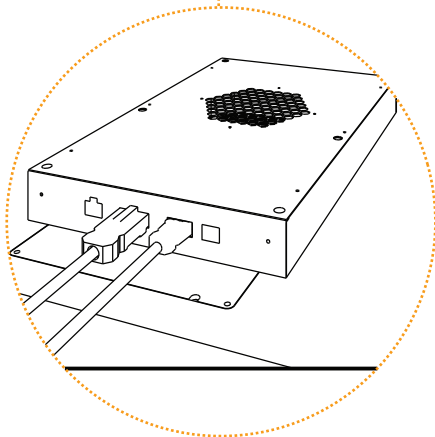
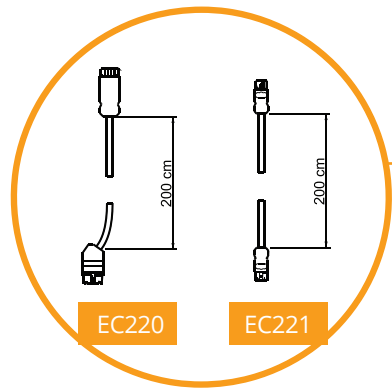


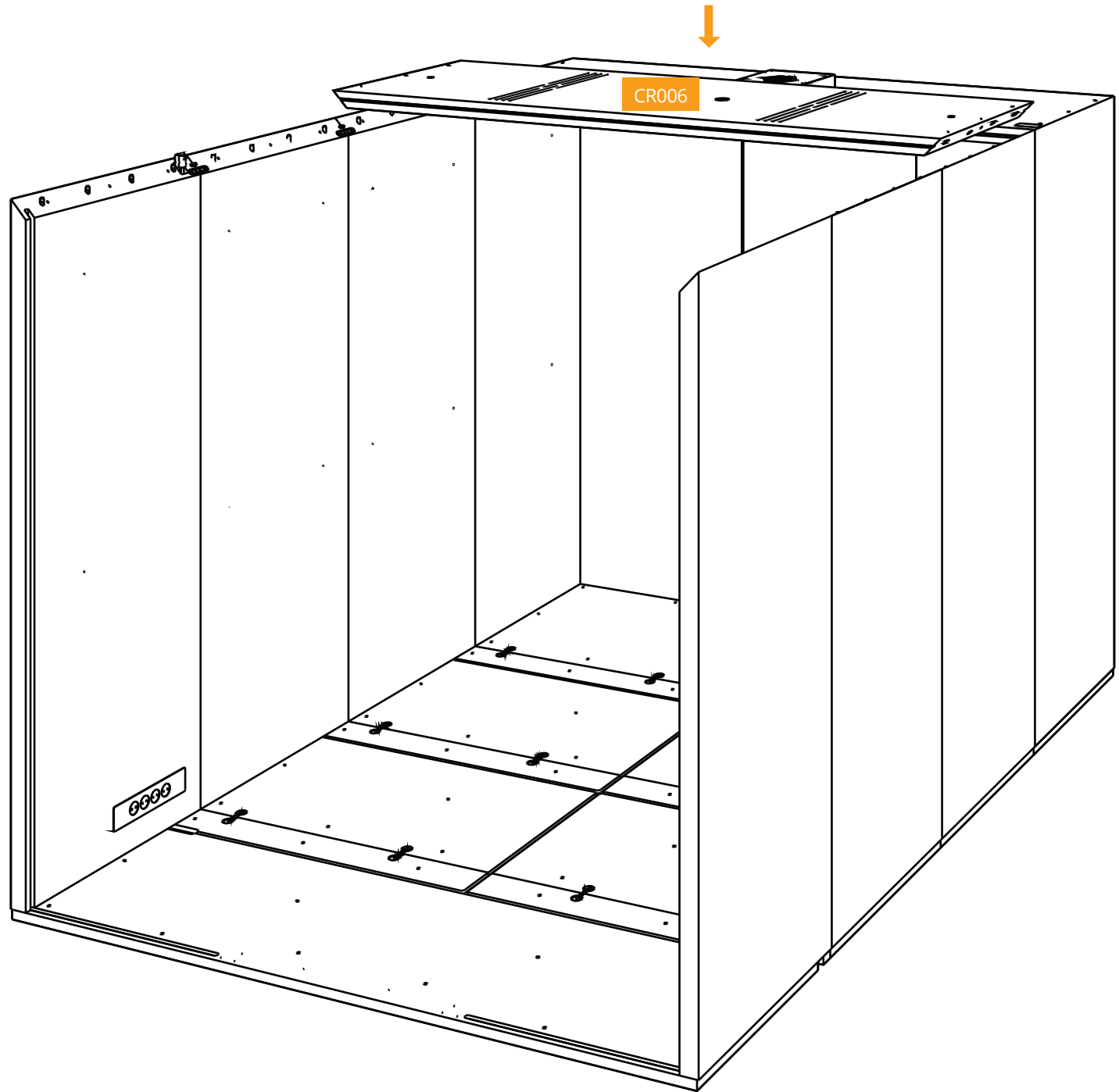
CR007

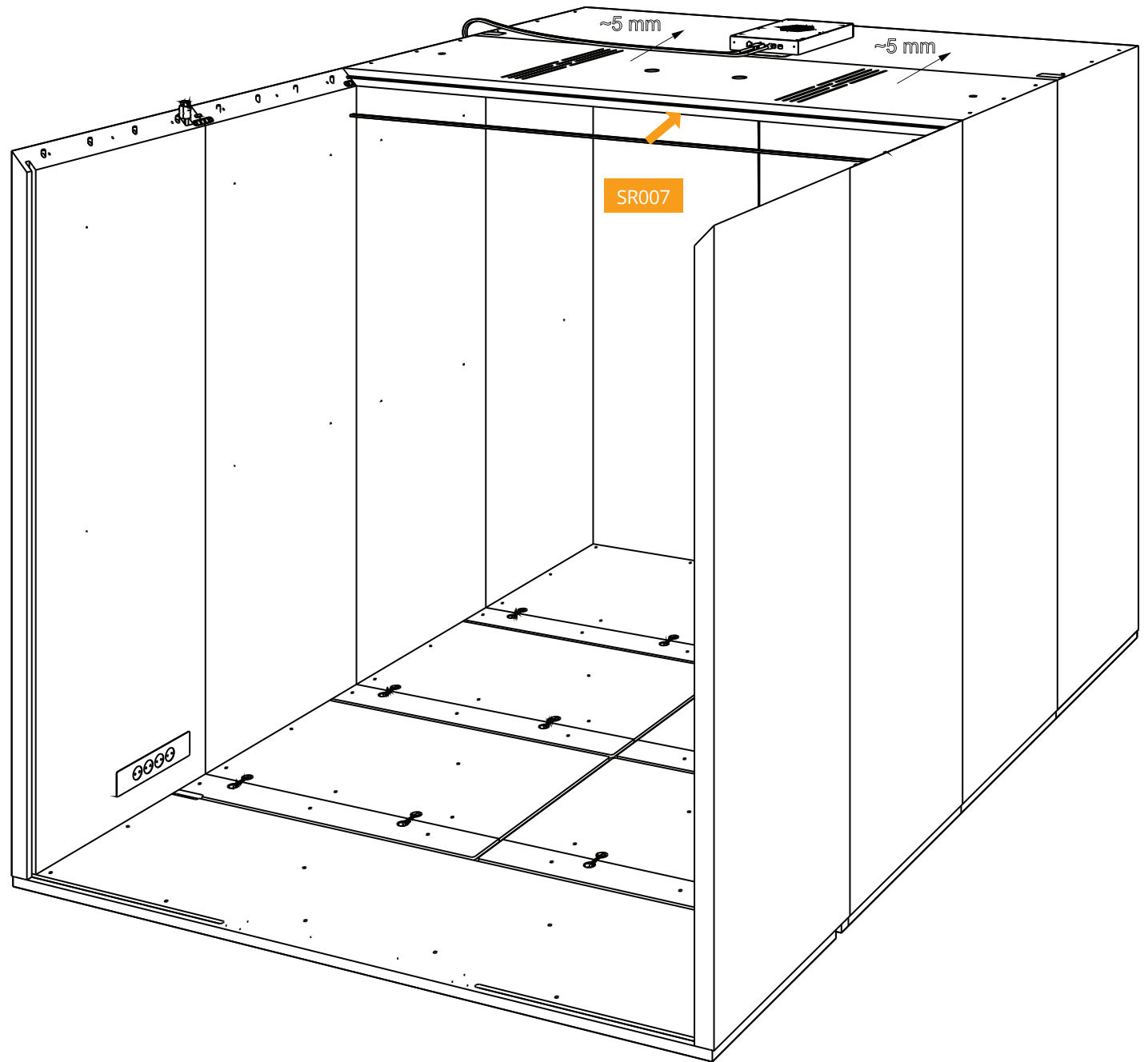


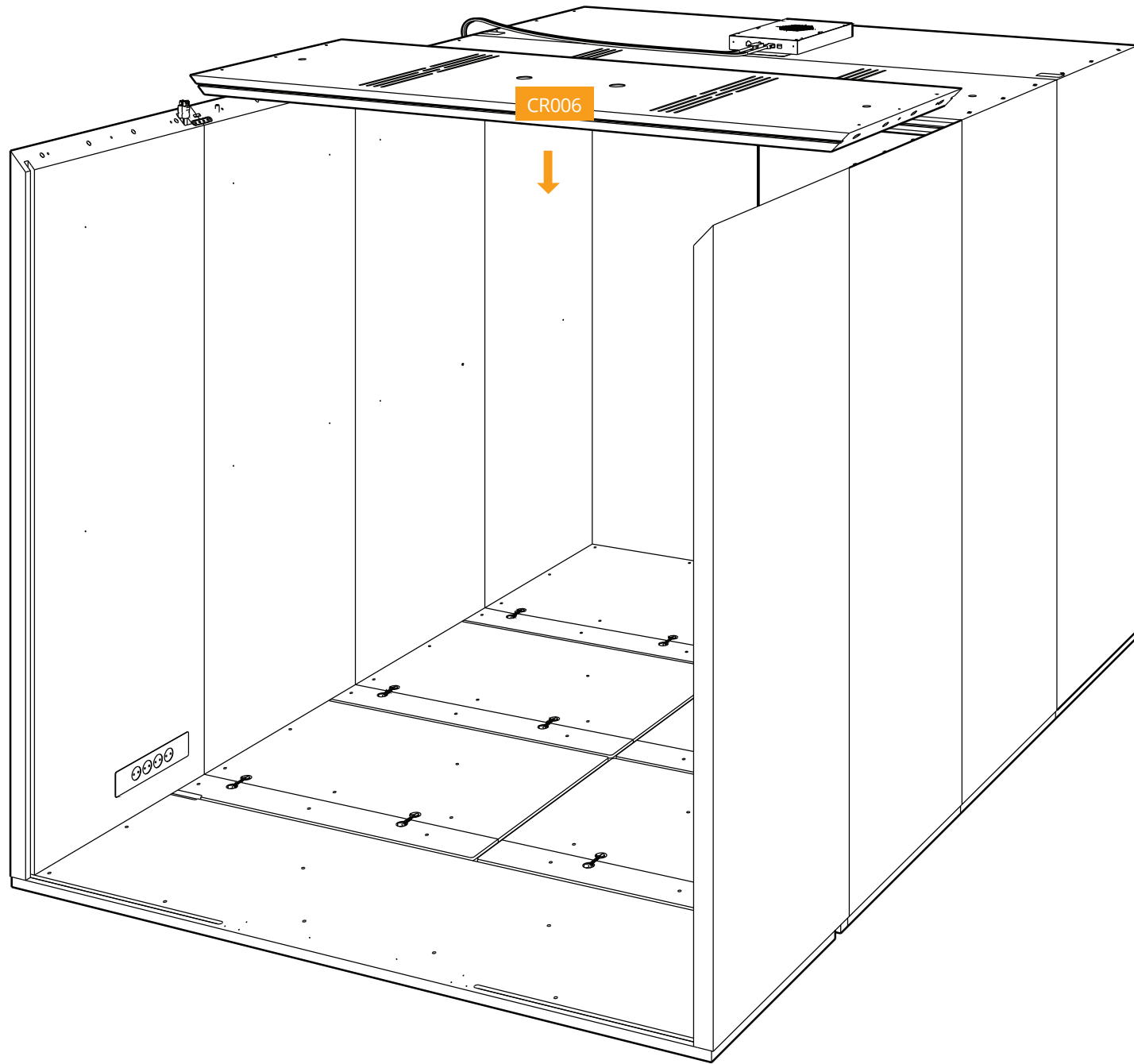




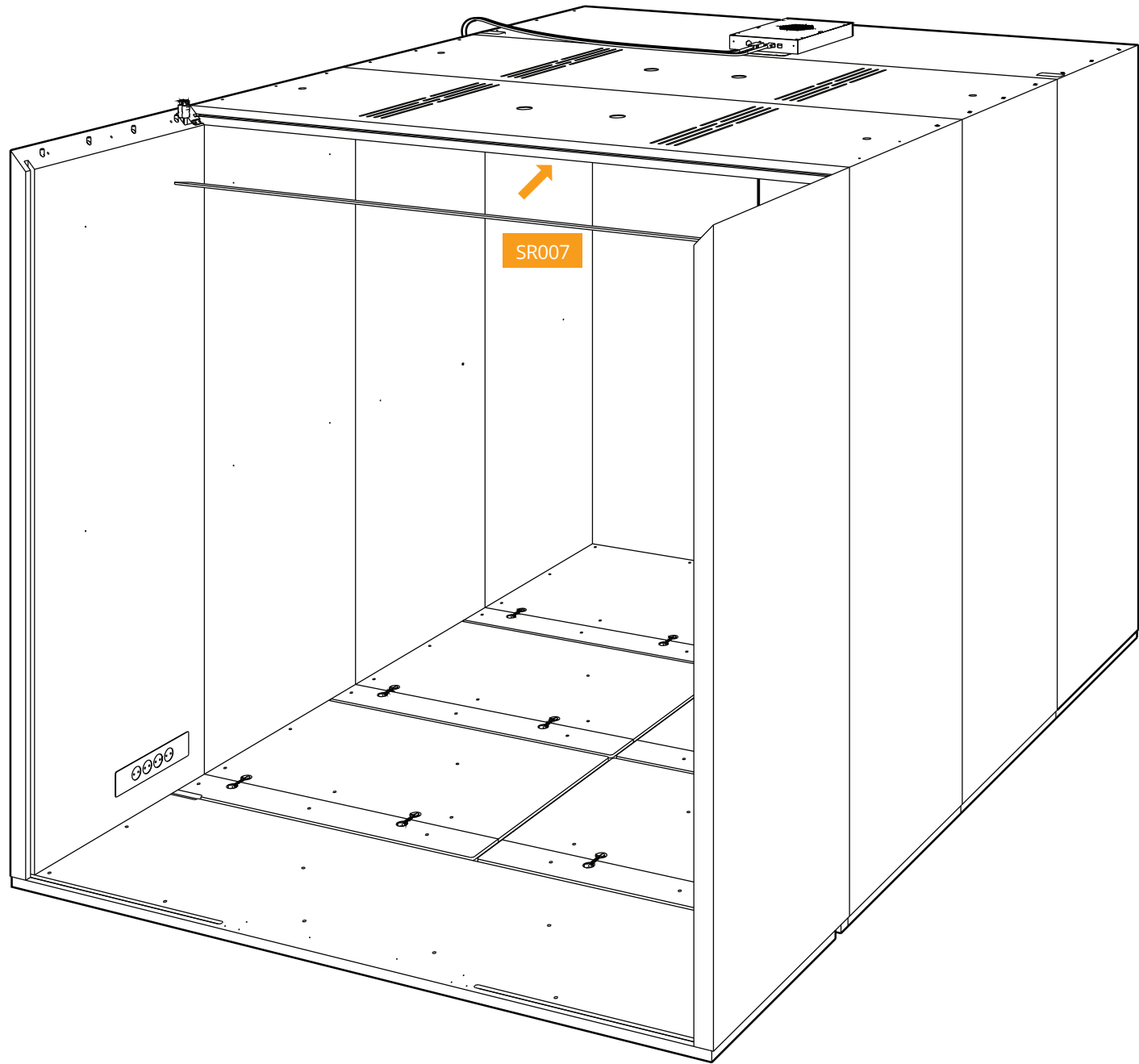






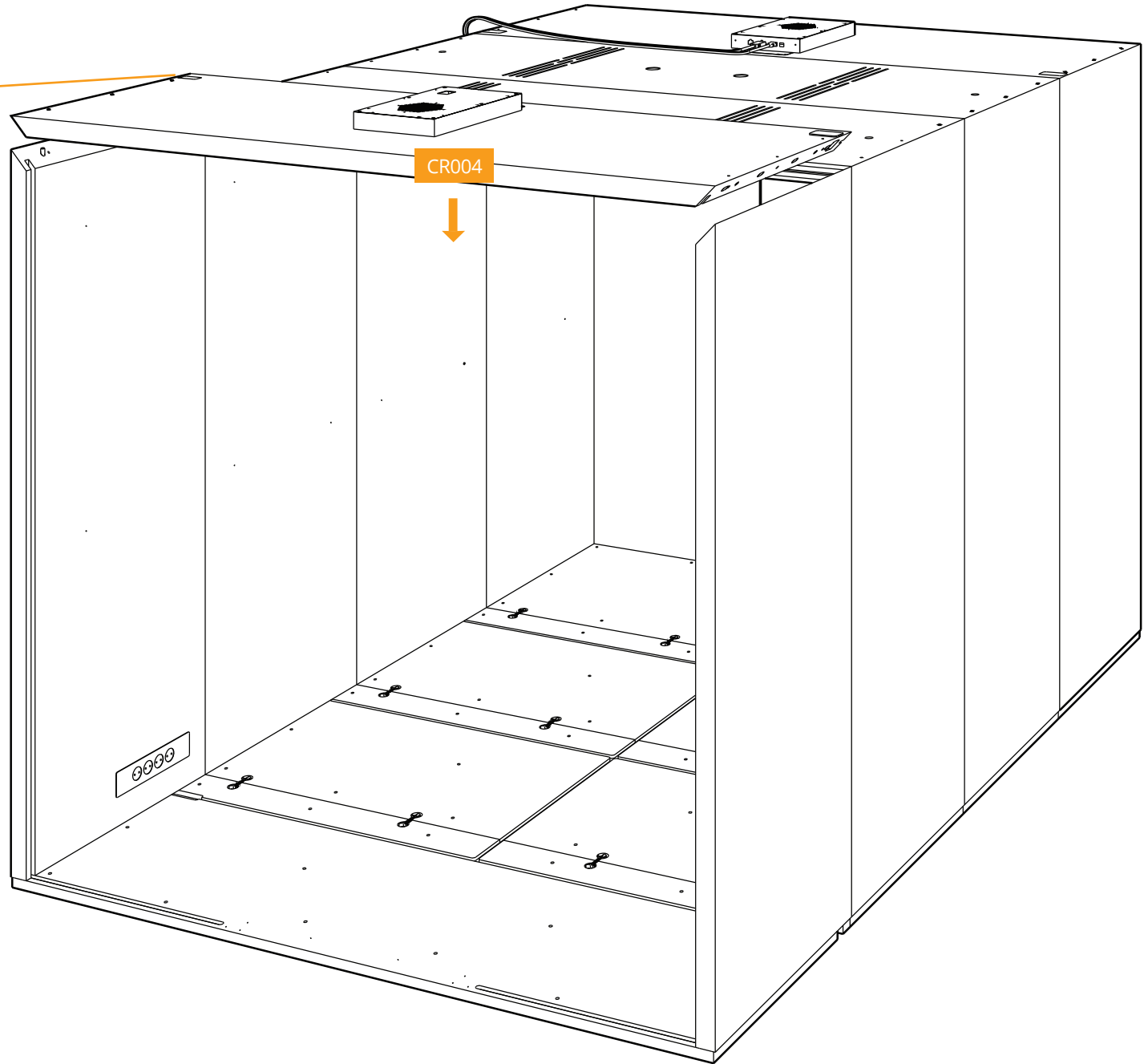
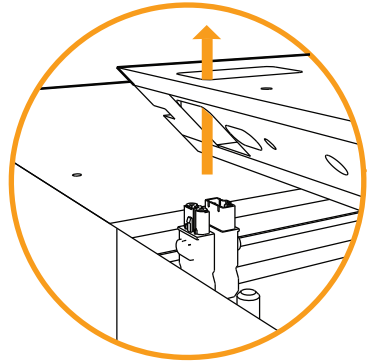


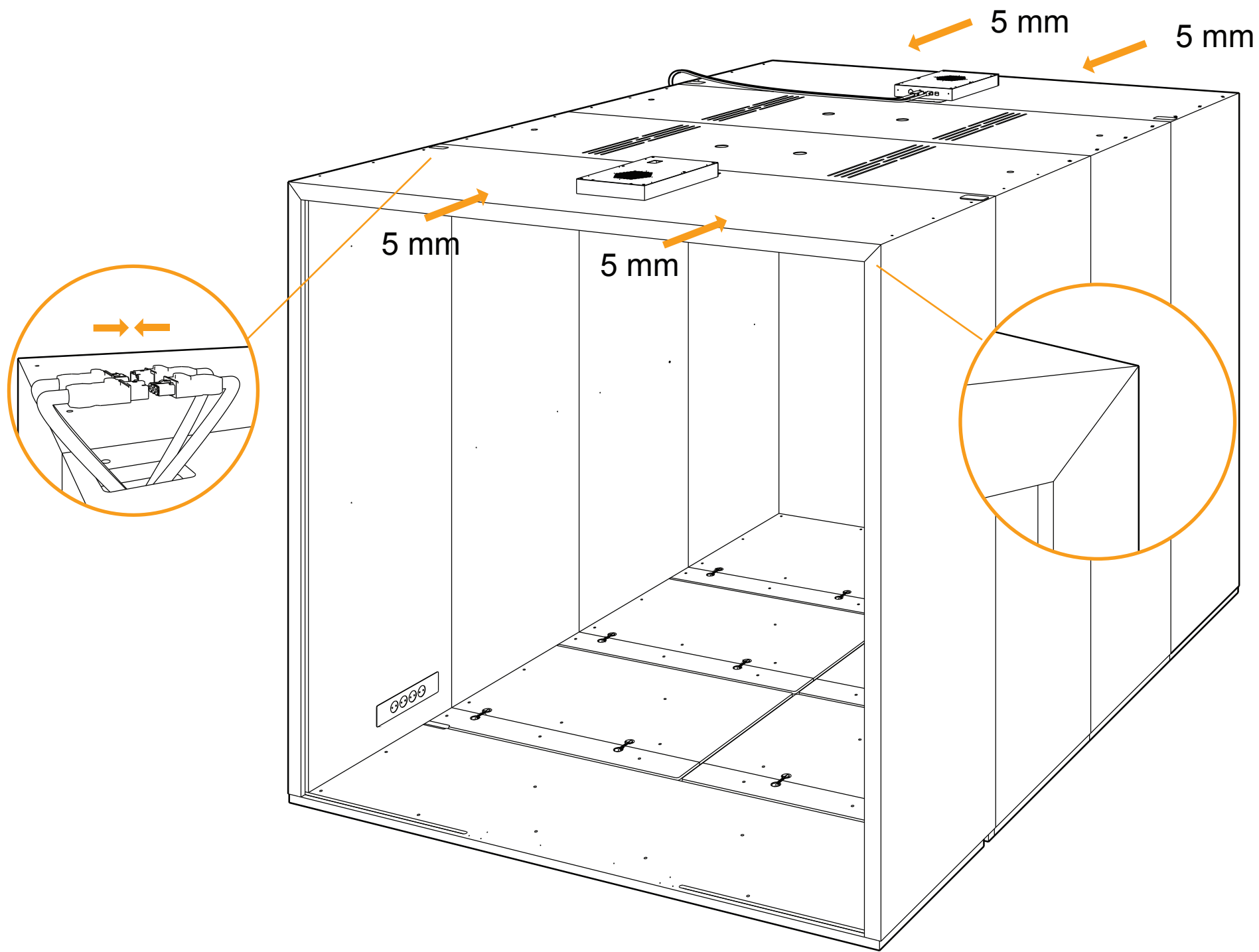


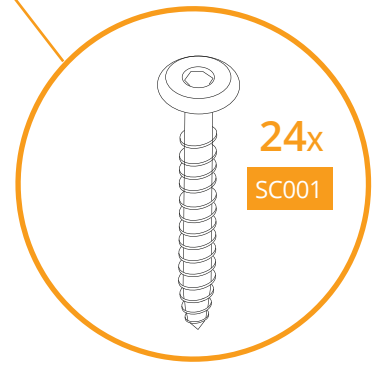
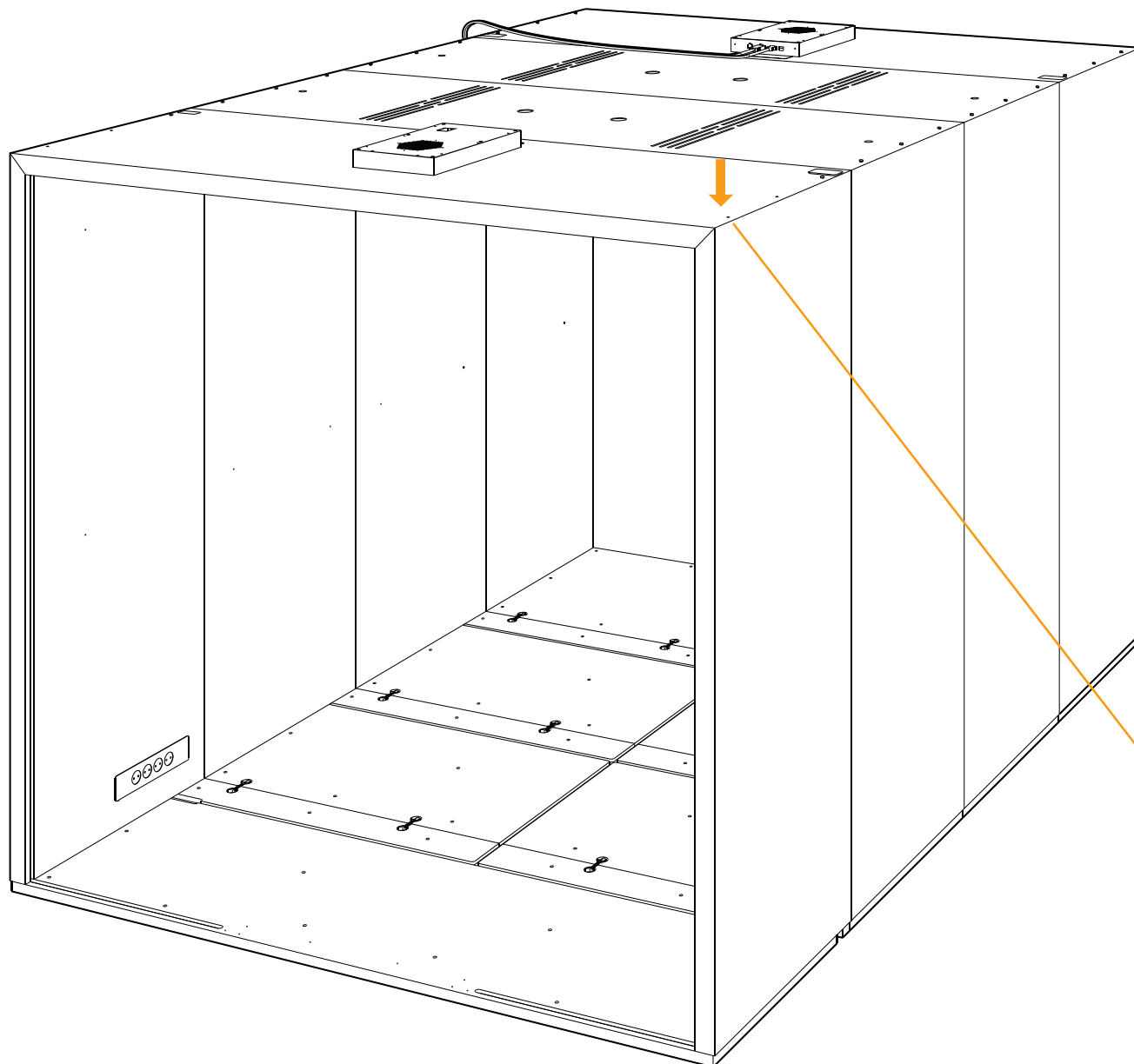


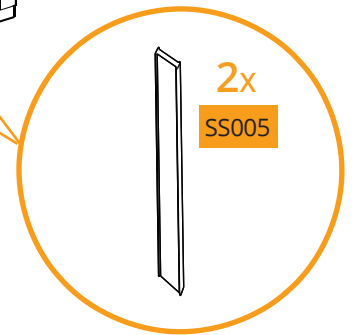
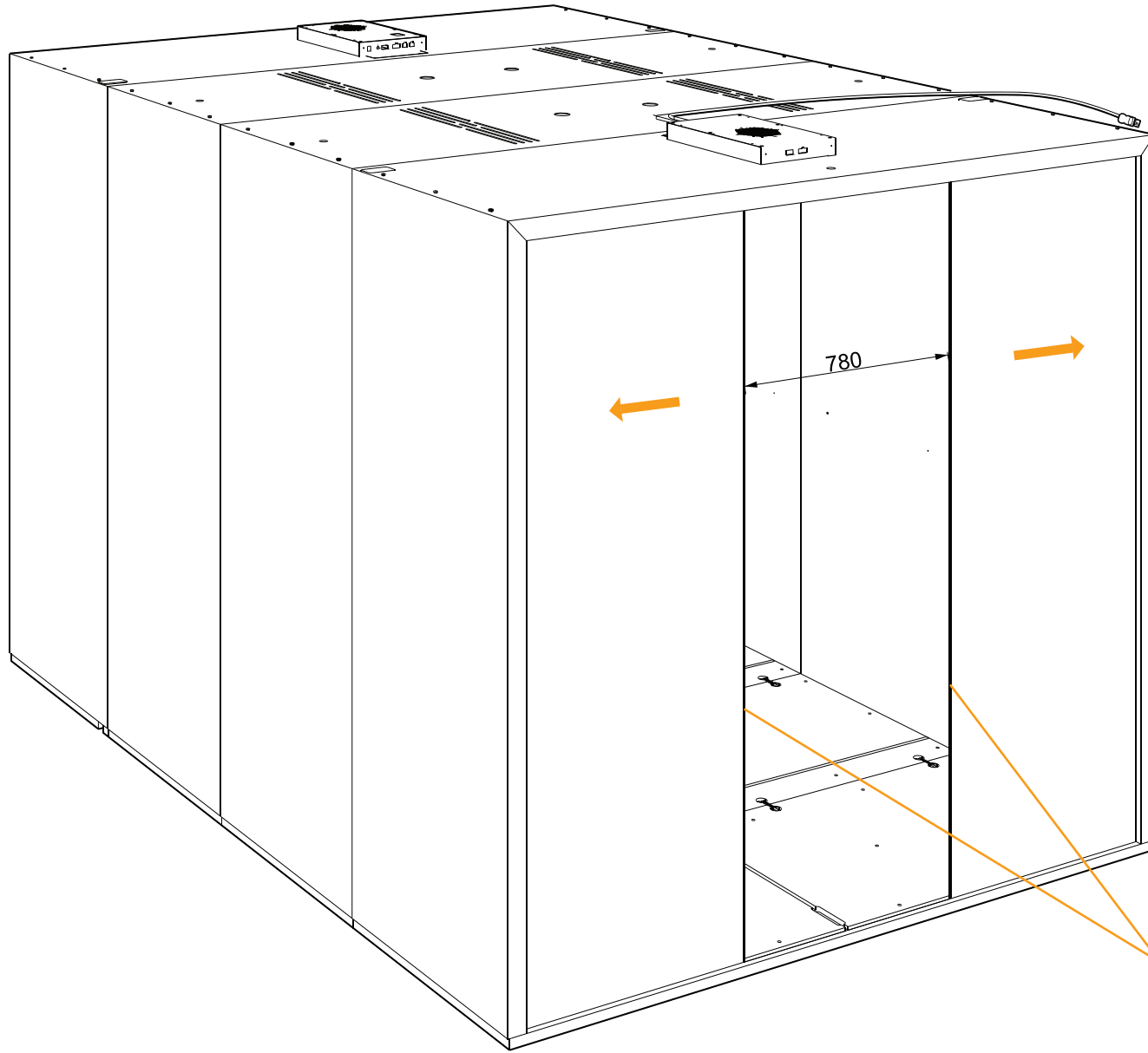
SR007

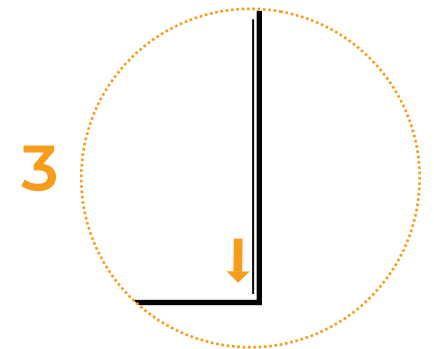
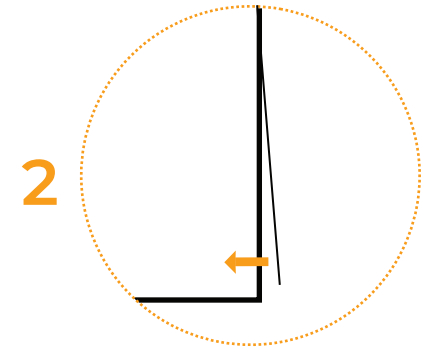
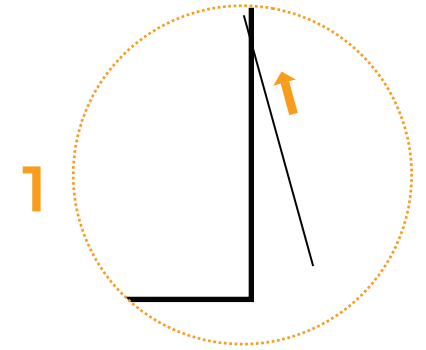
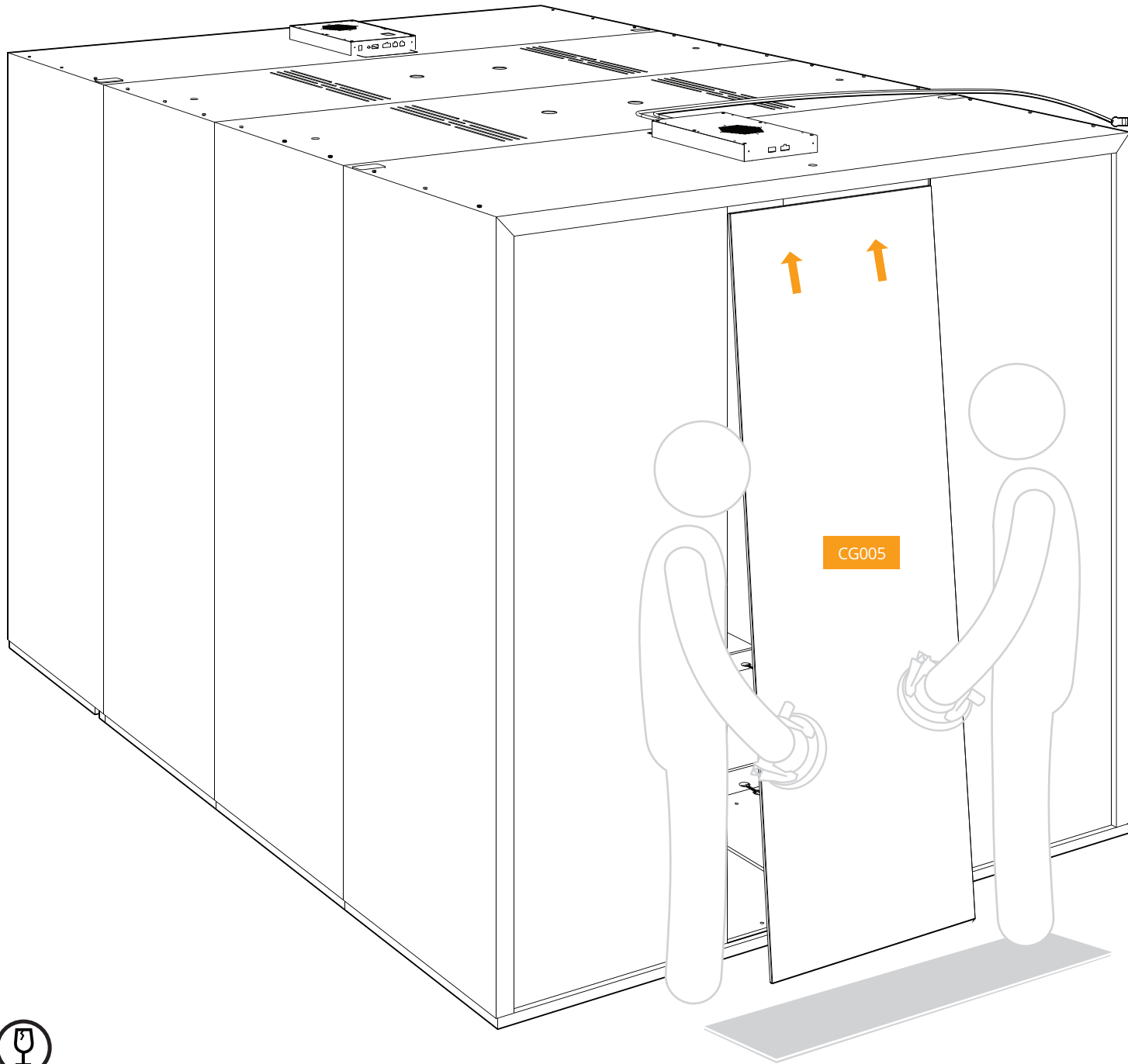
0000

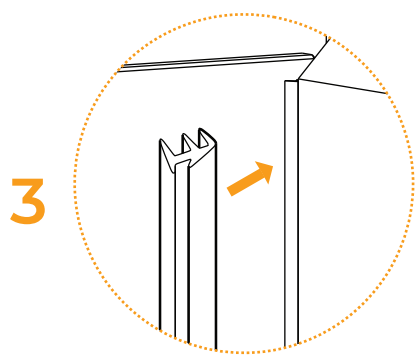
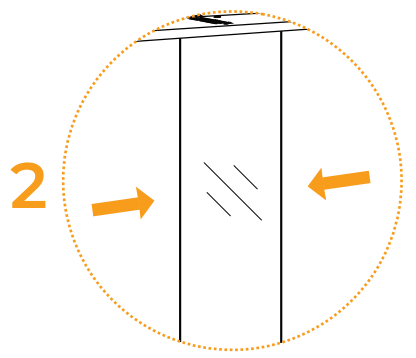
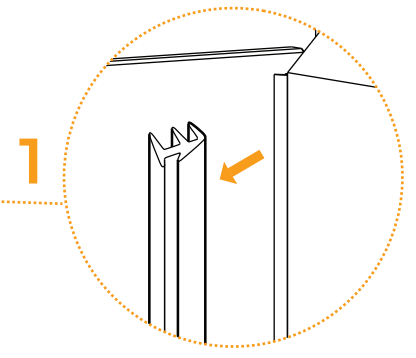
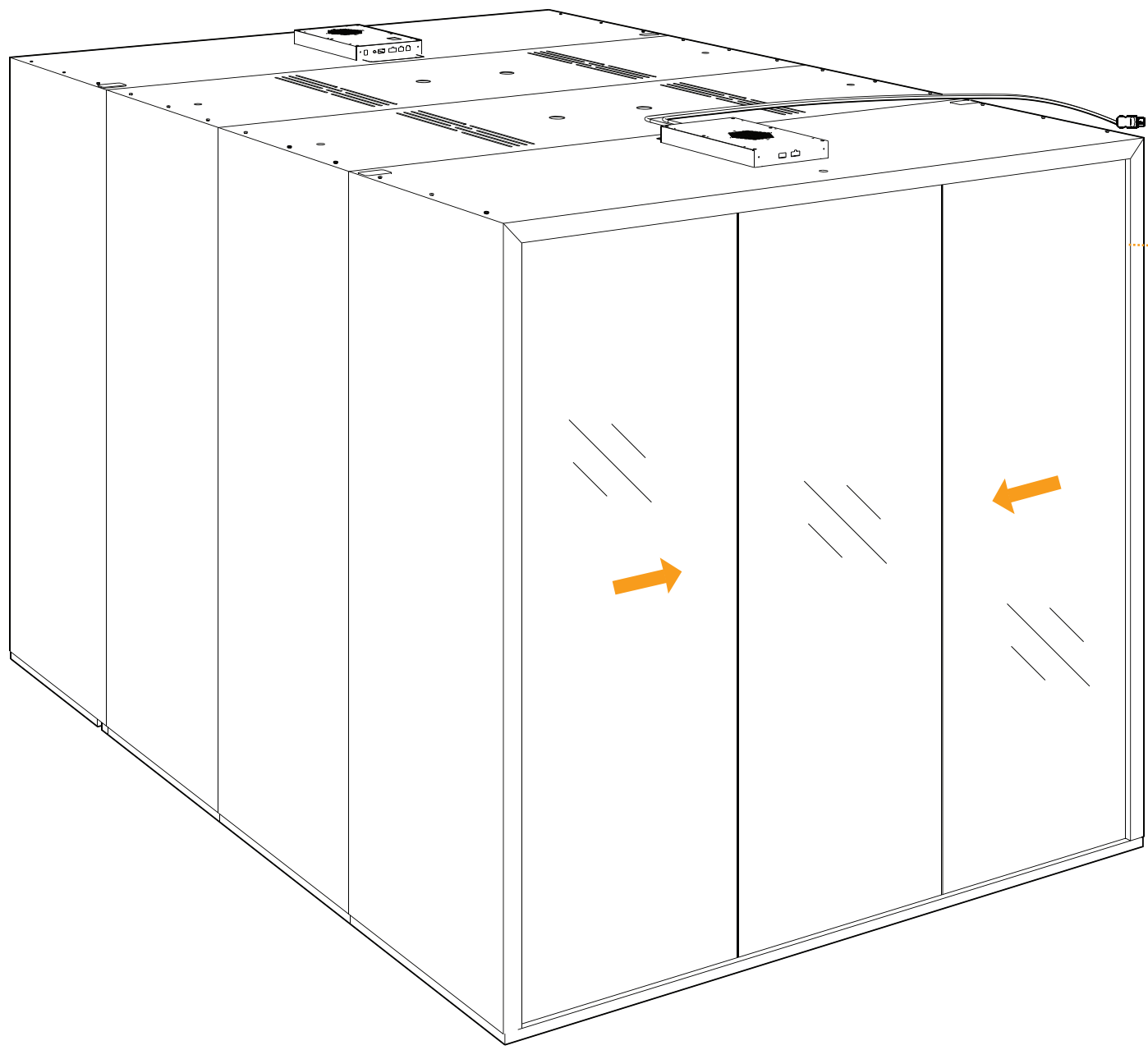




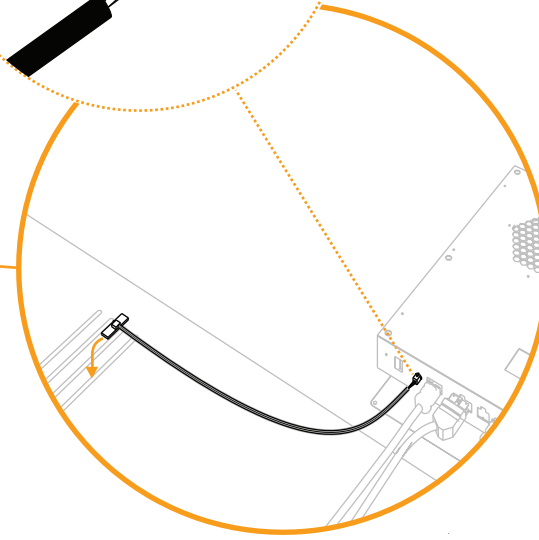
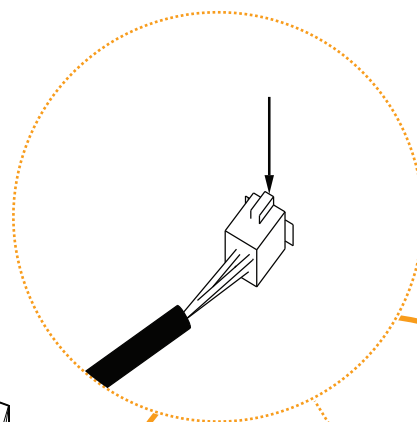
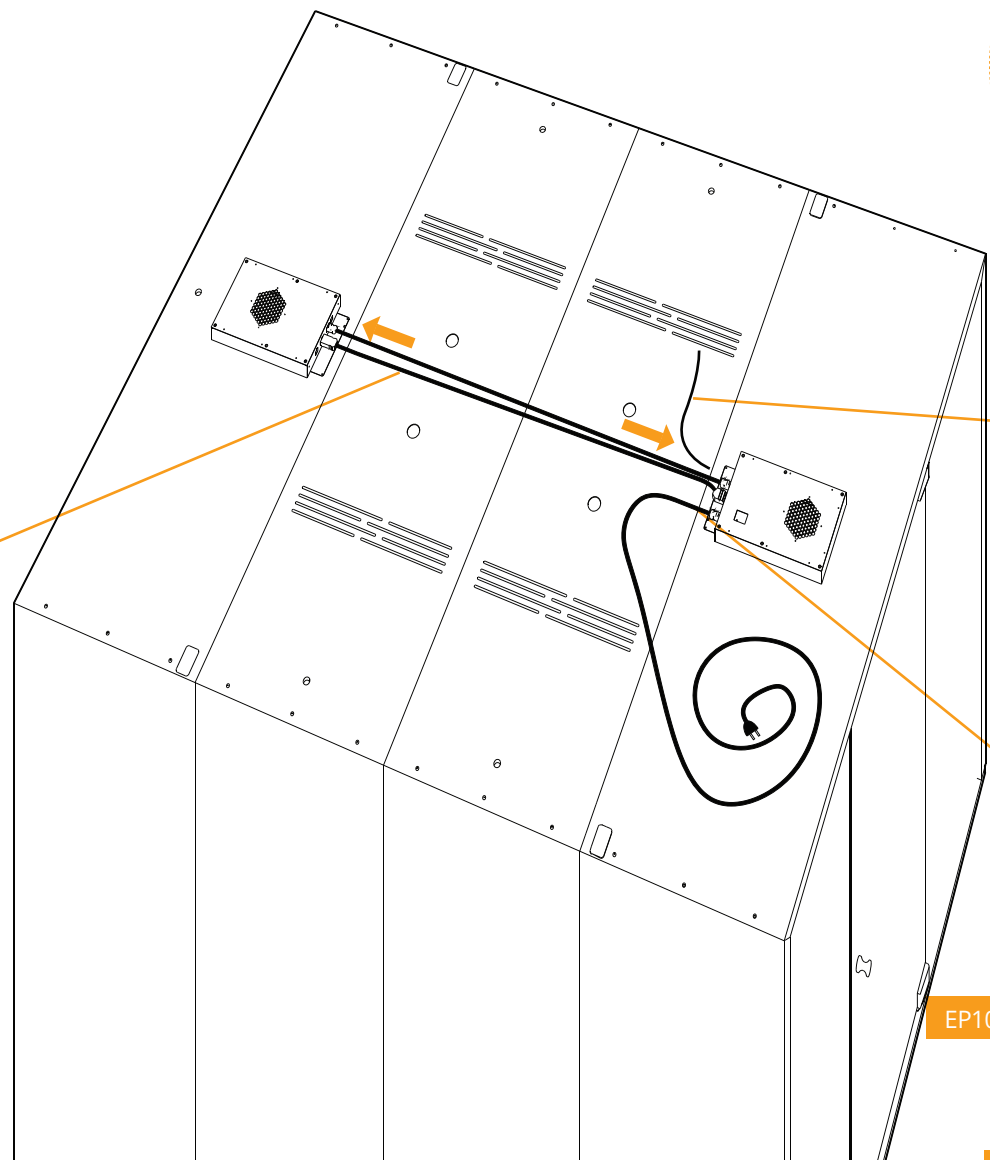
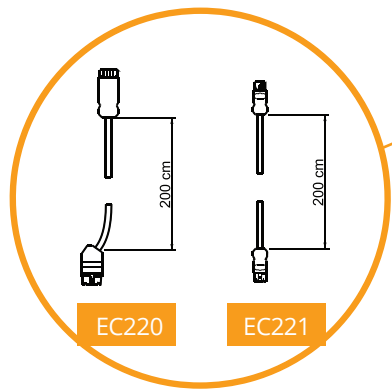










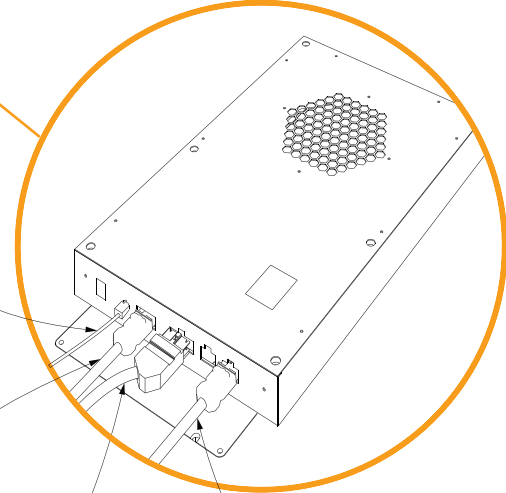


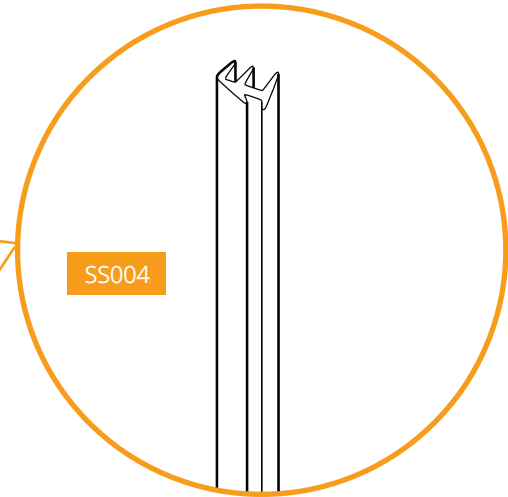
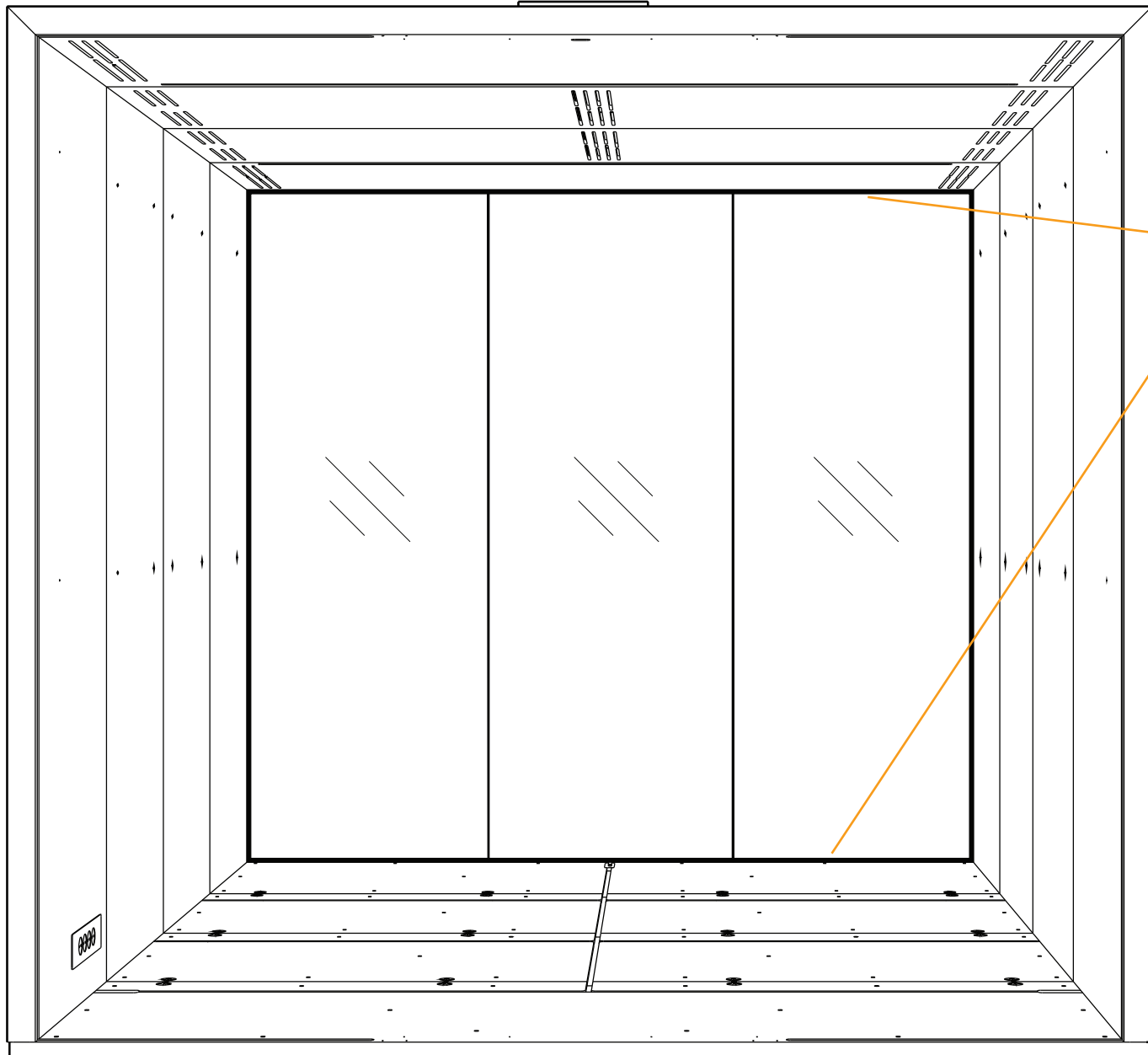
EP109

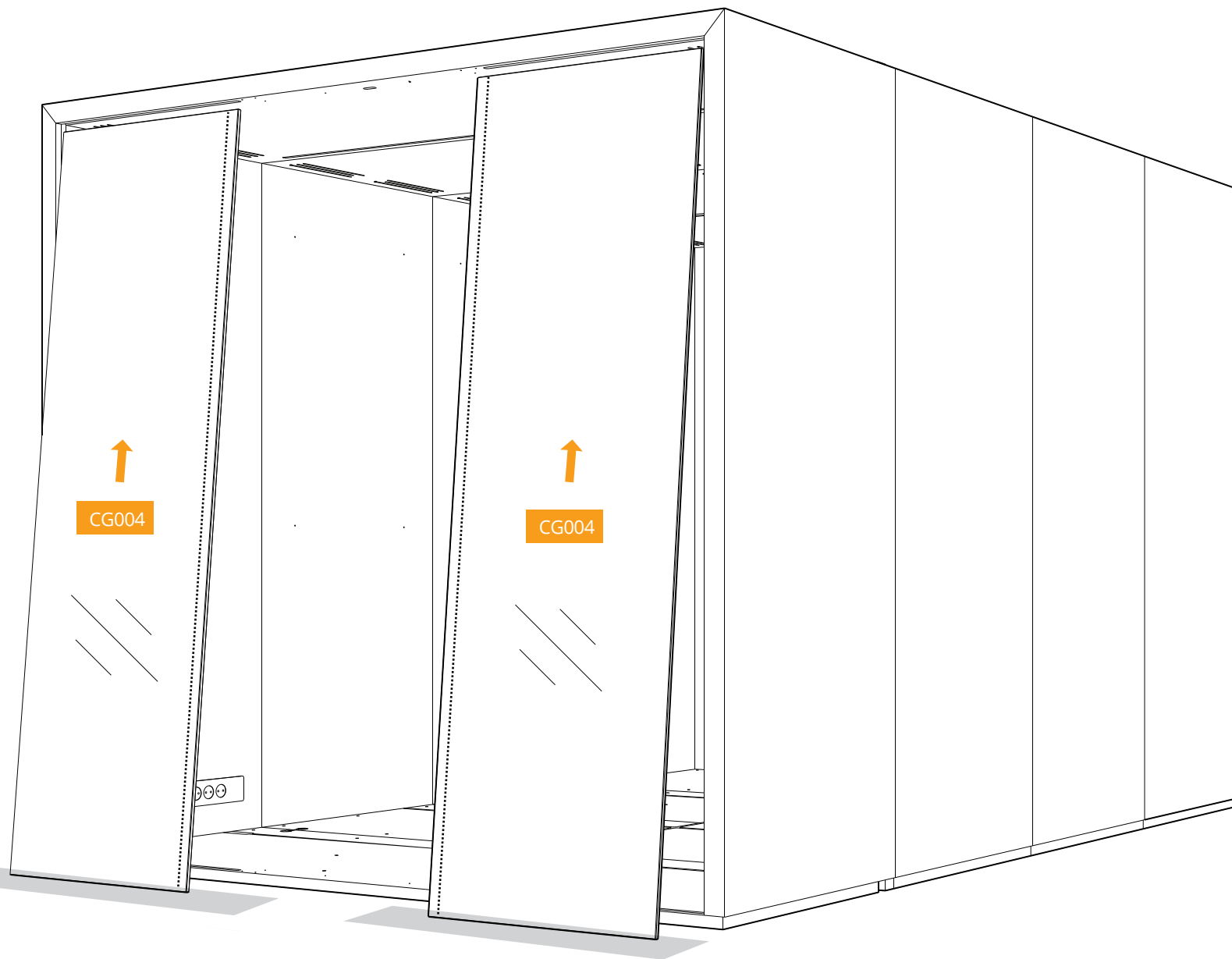
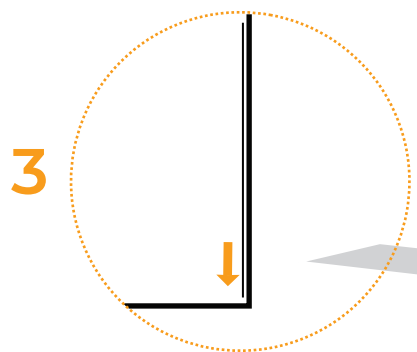
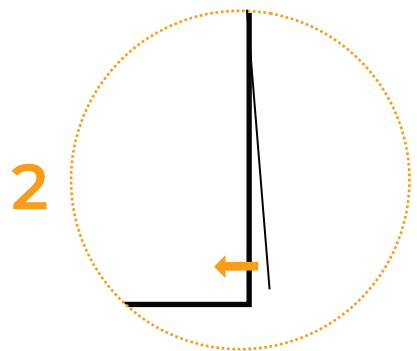
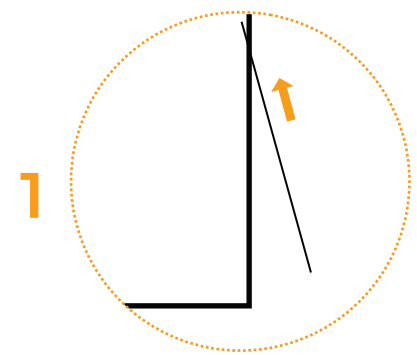
EC221

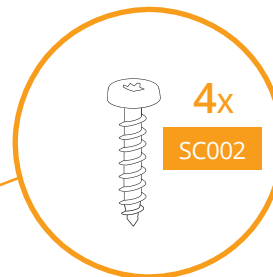
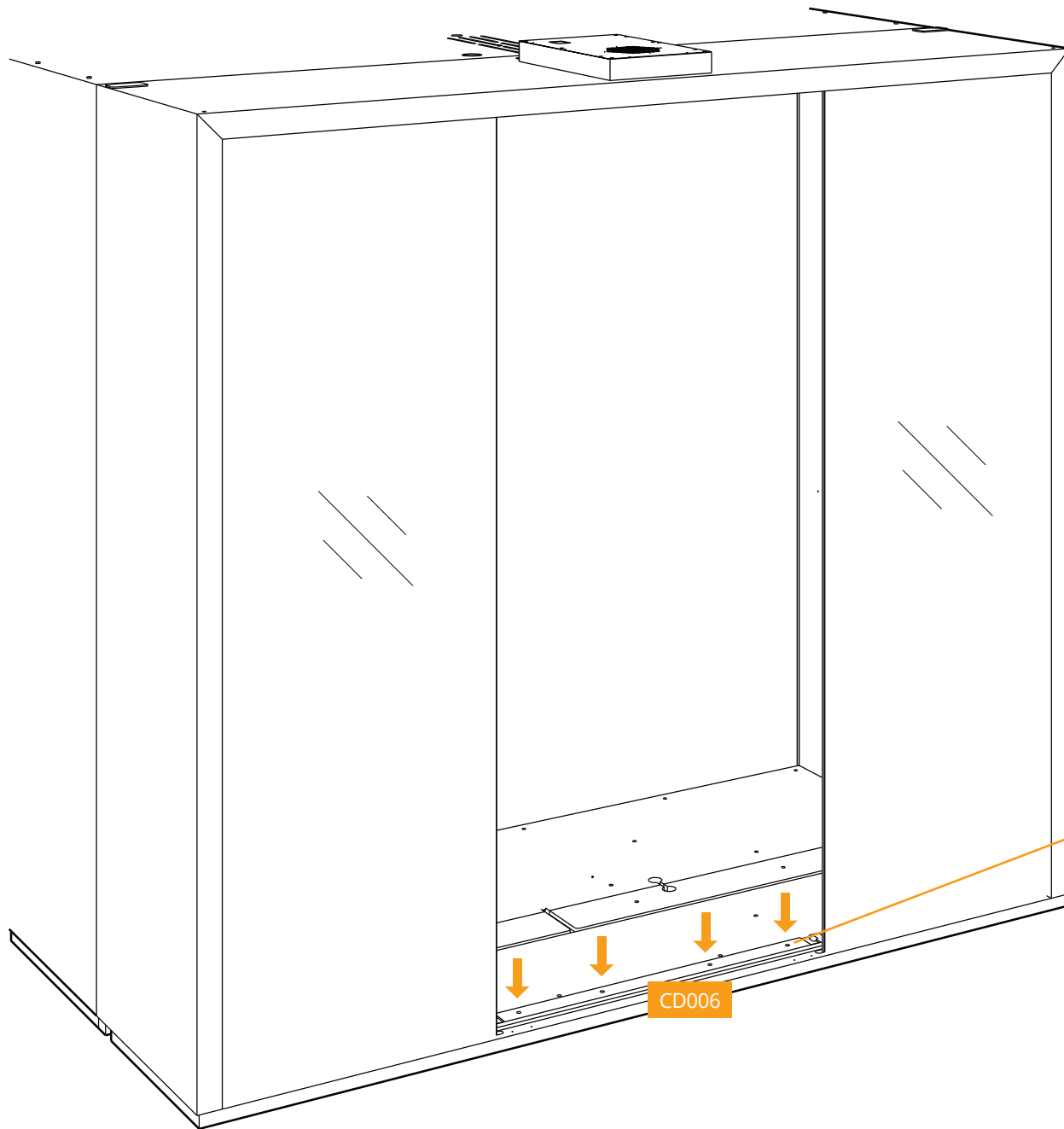
EC220

EC1xx





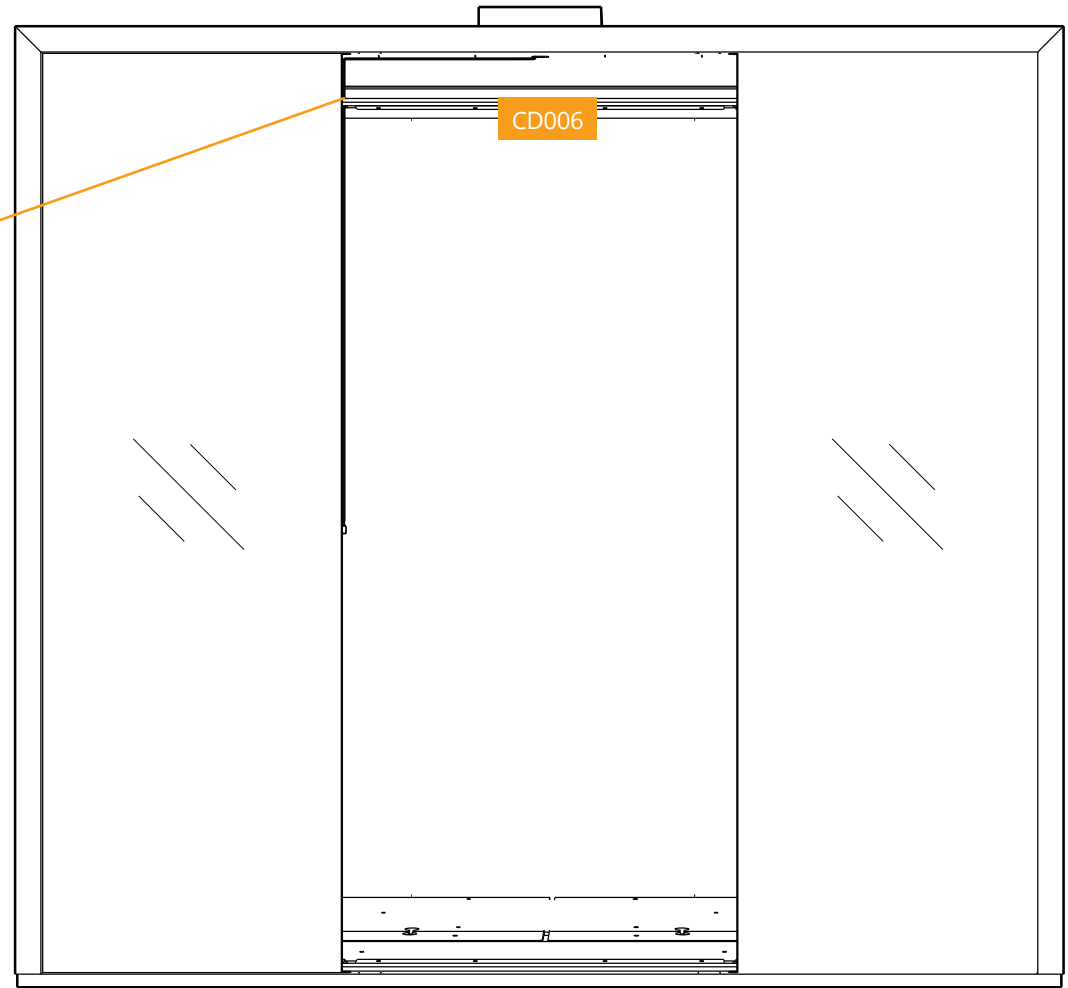
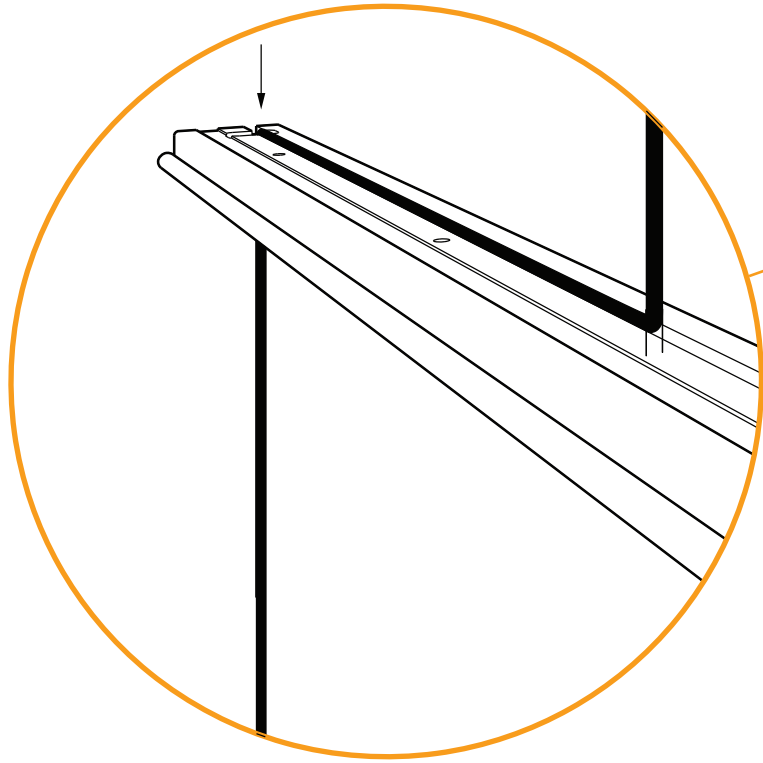


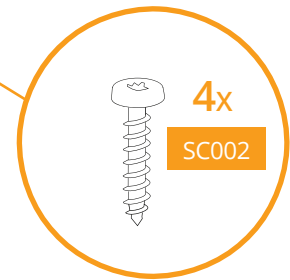
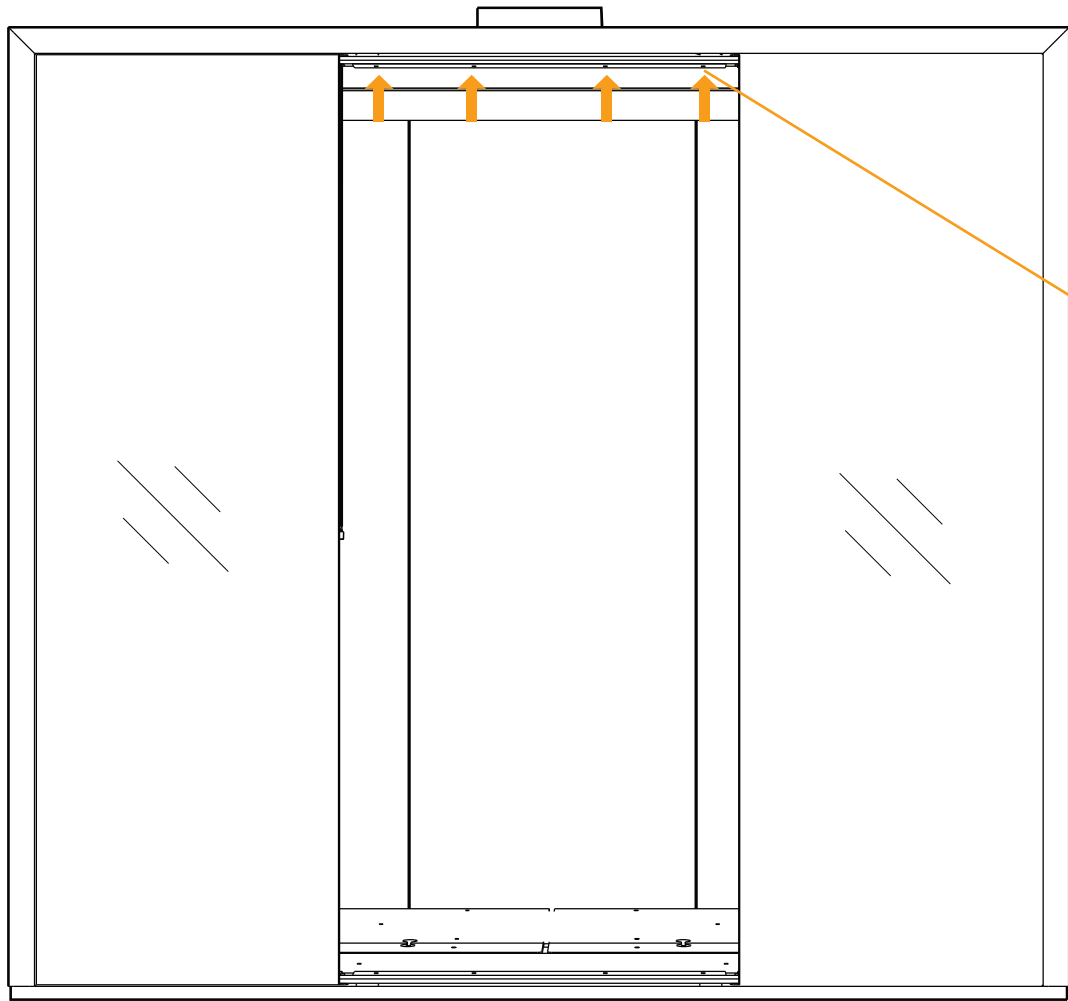


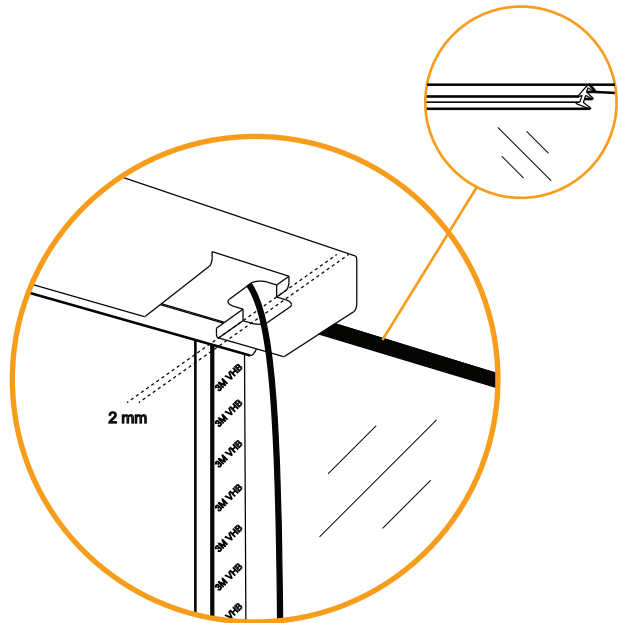
CD006

4x

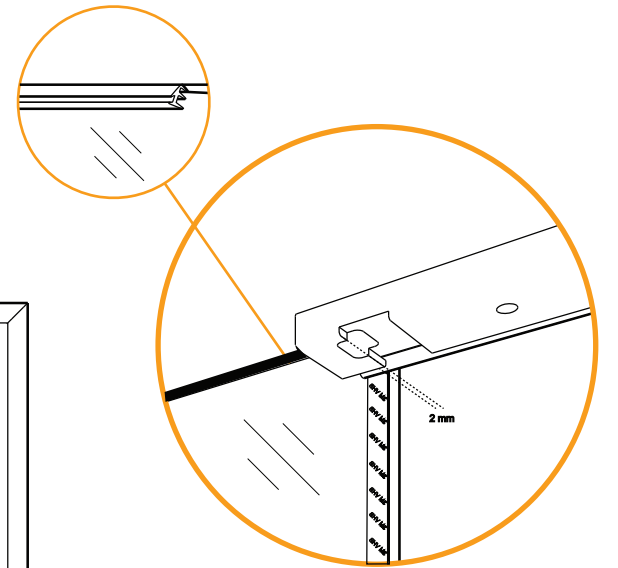
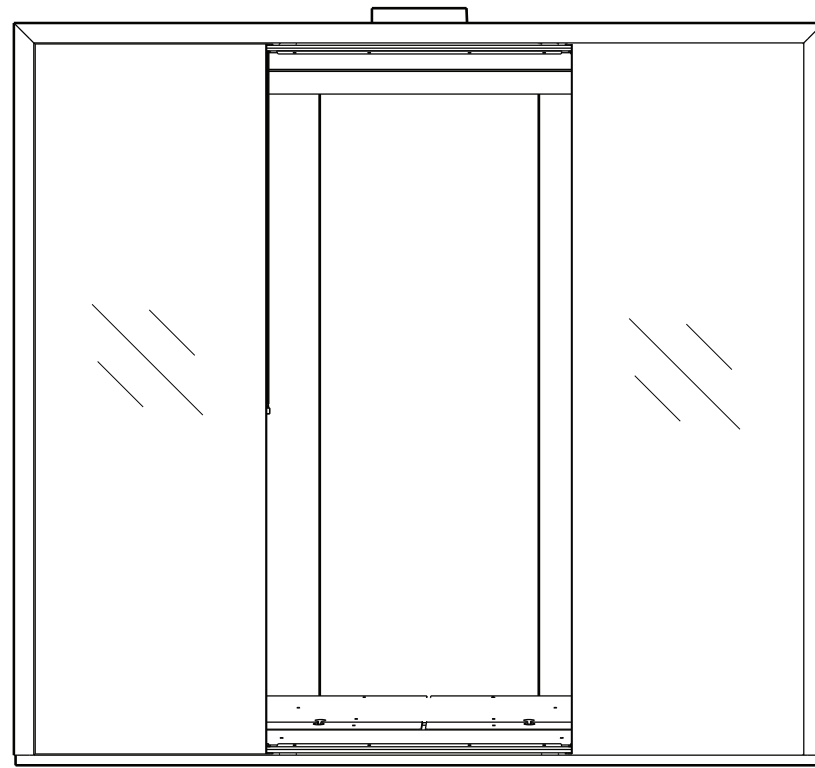
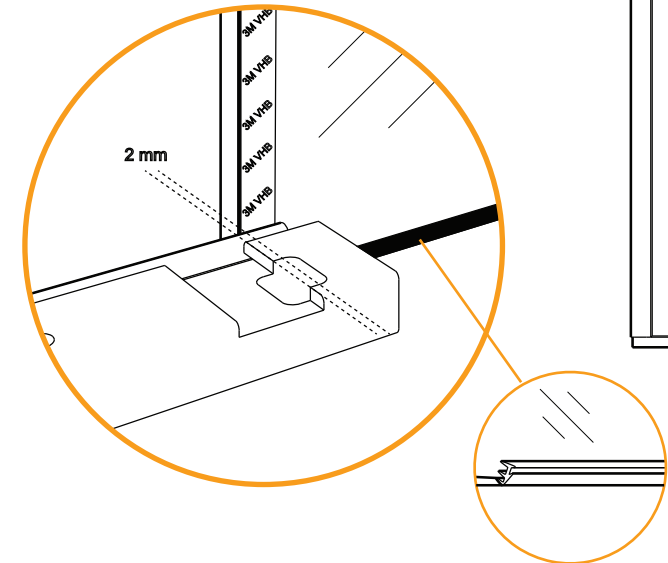
SC002



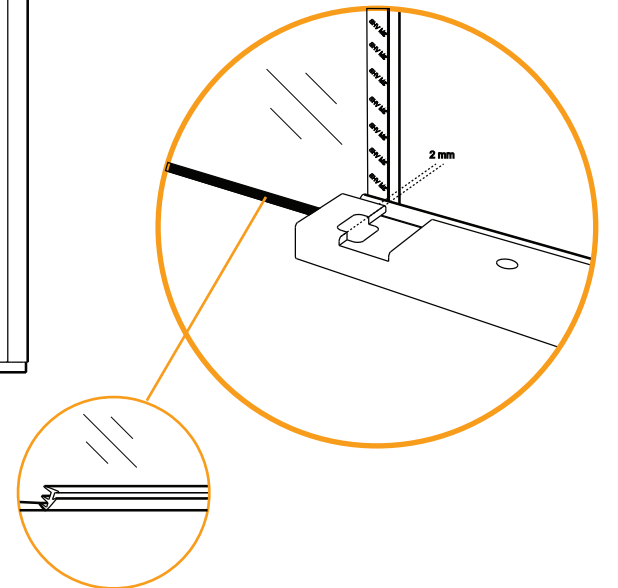


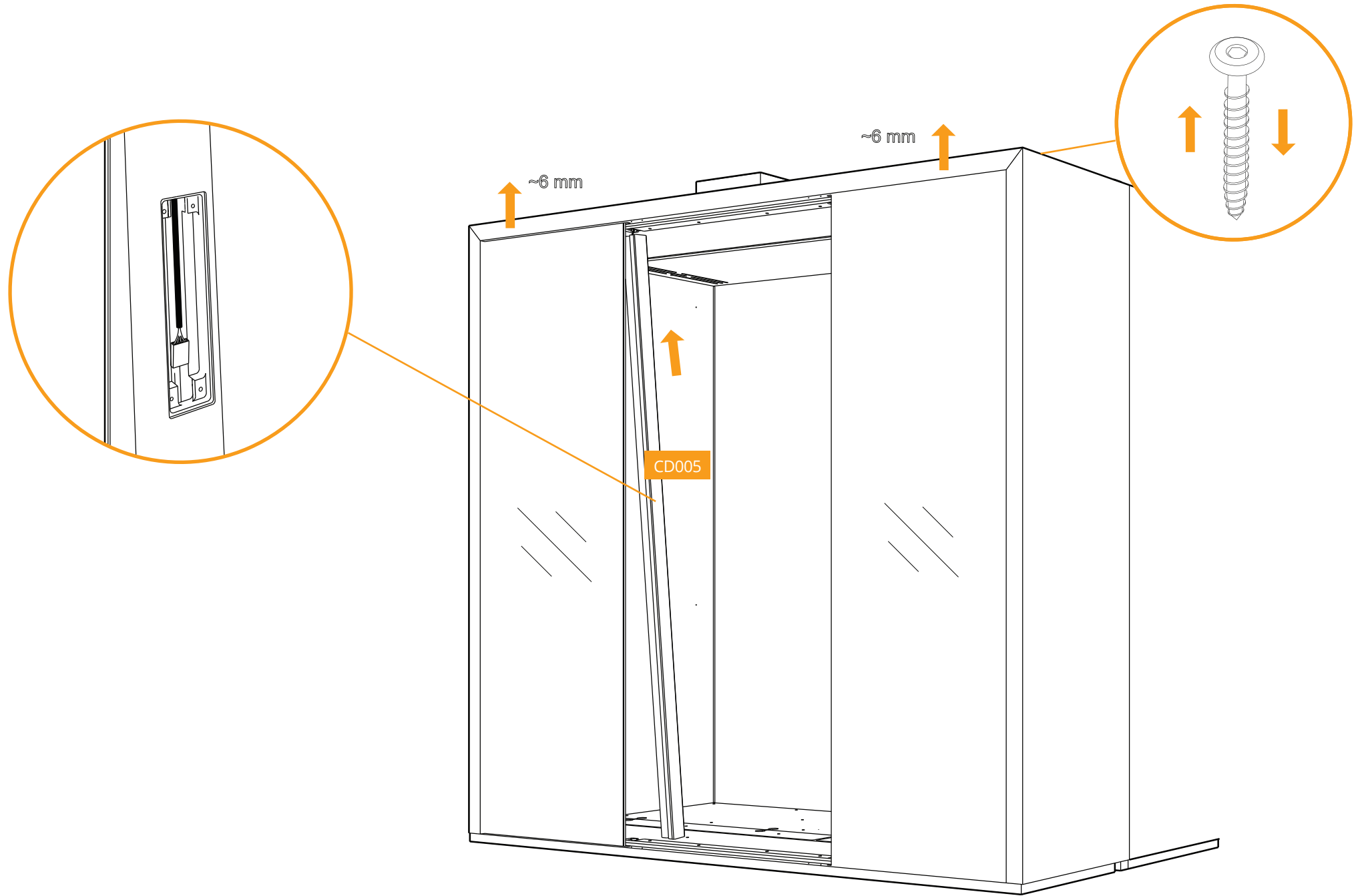


CONTROL PANEL SIDE

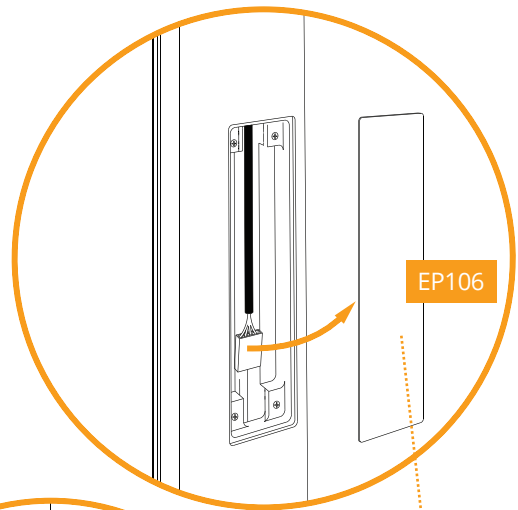
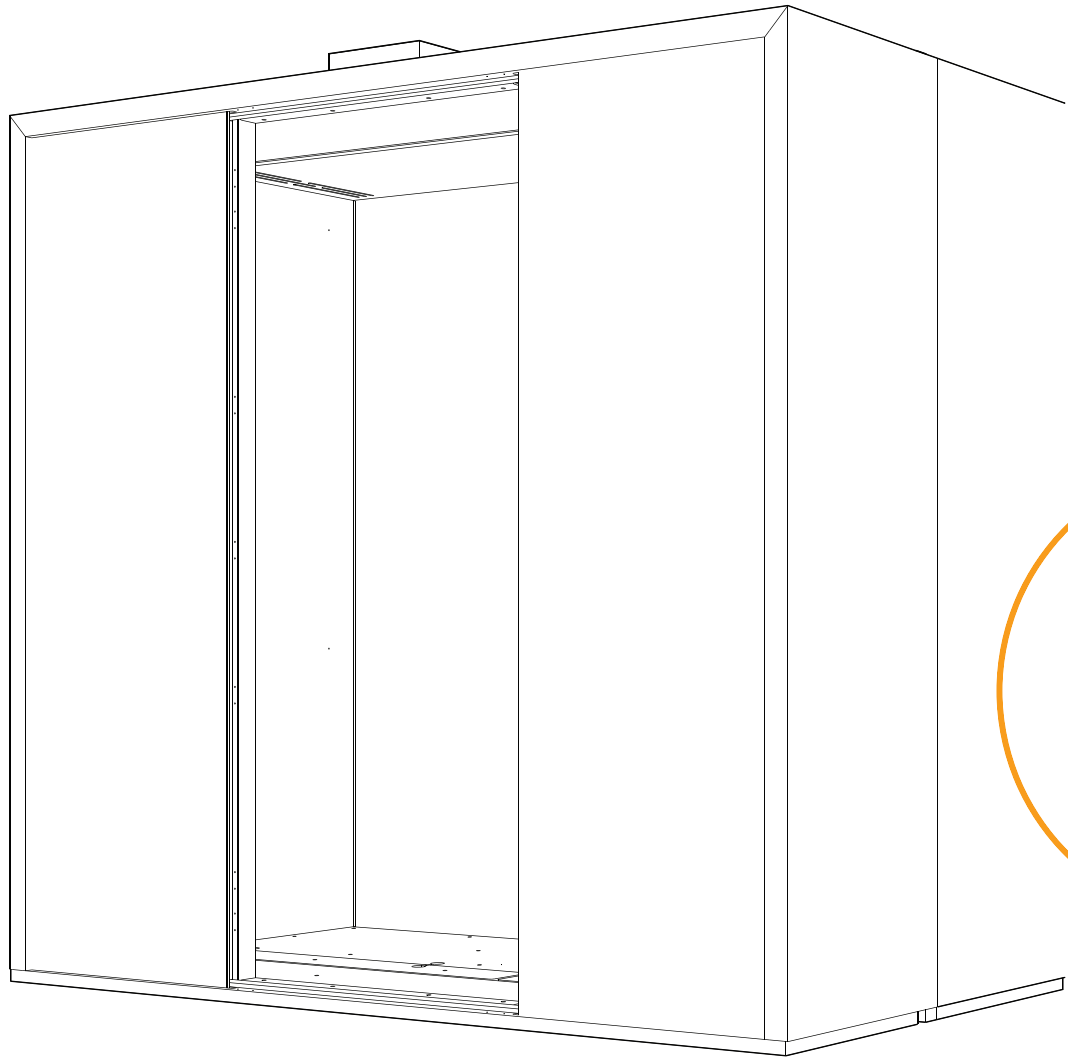


HINGE SIDE

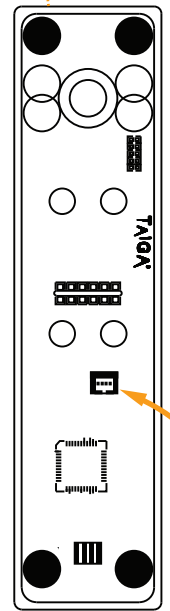
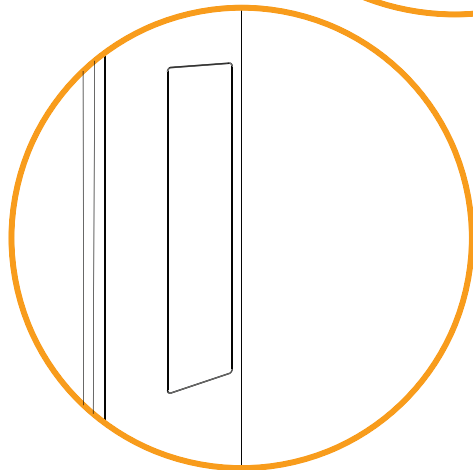


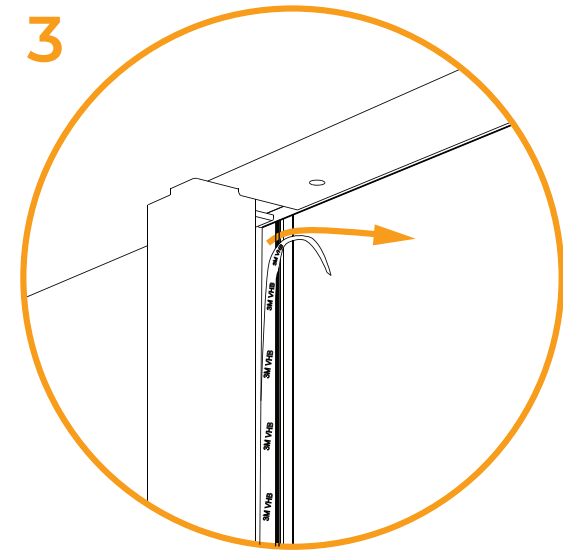
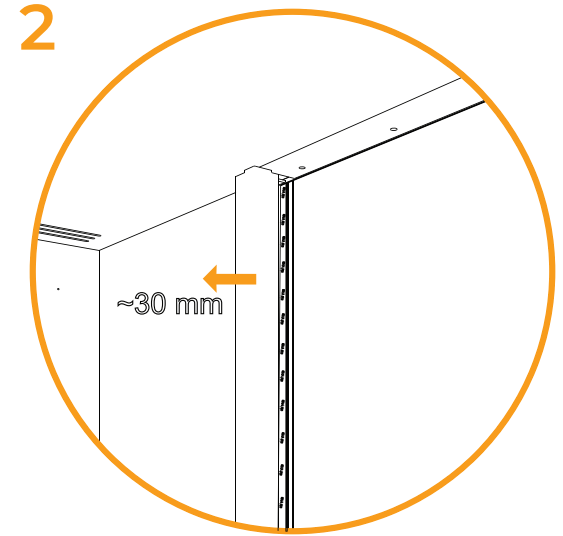
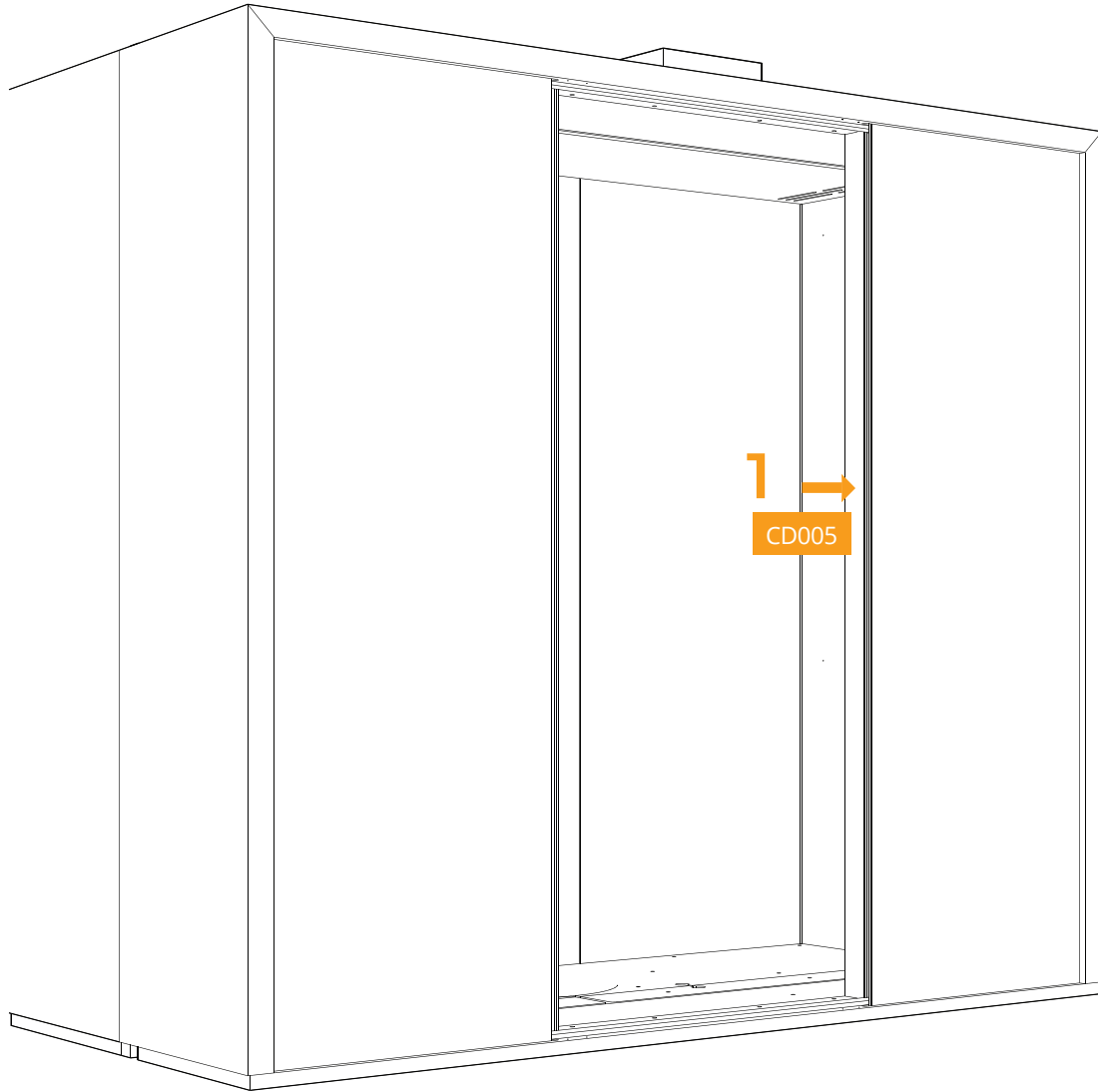


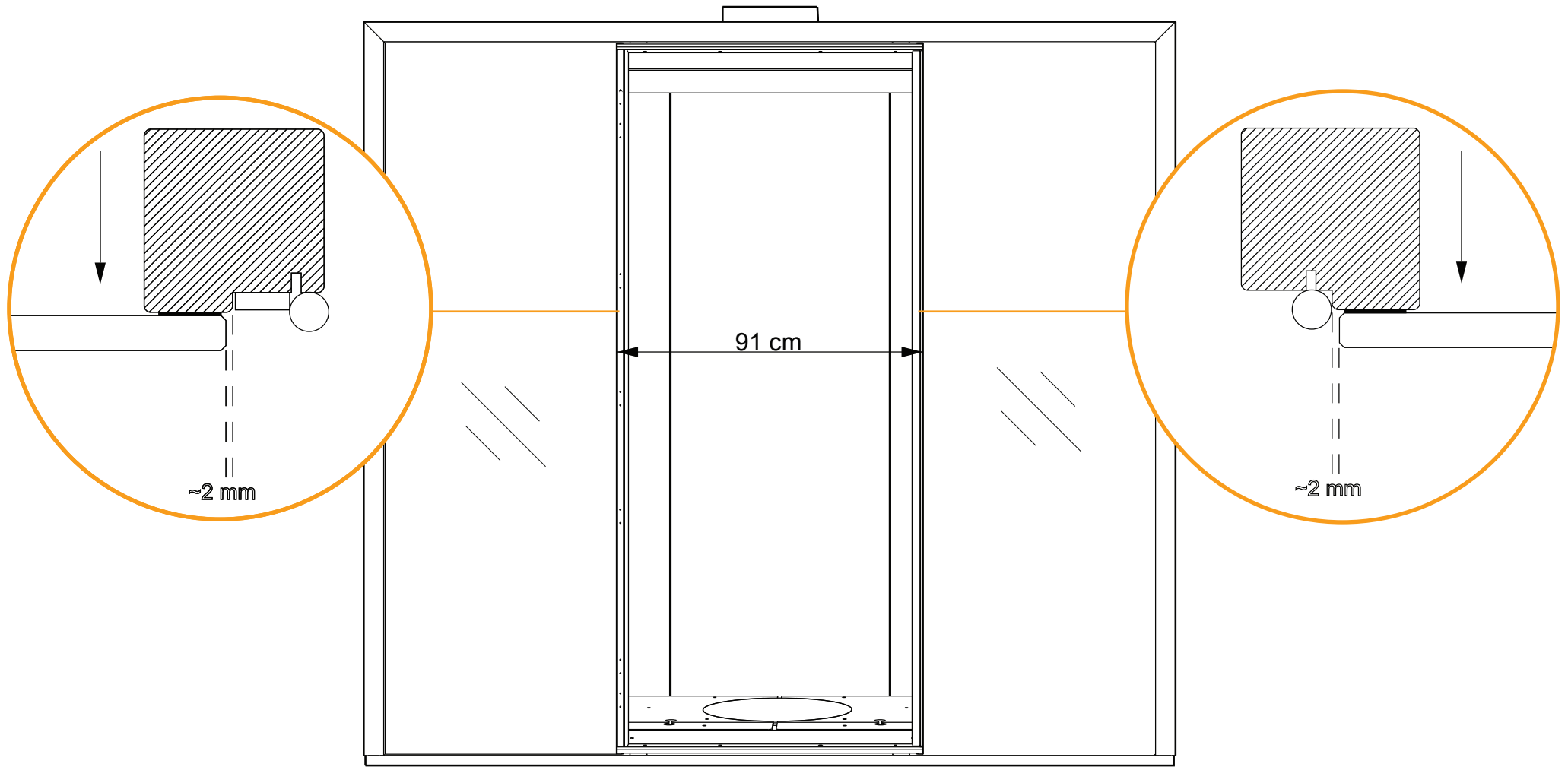


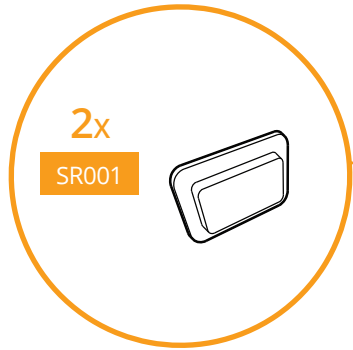


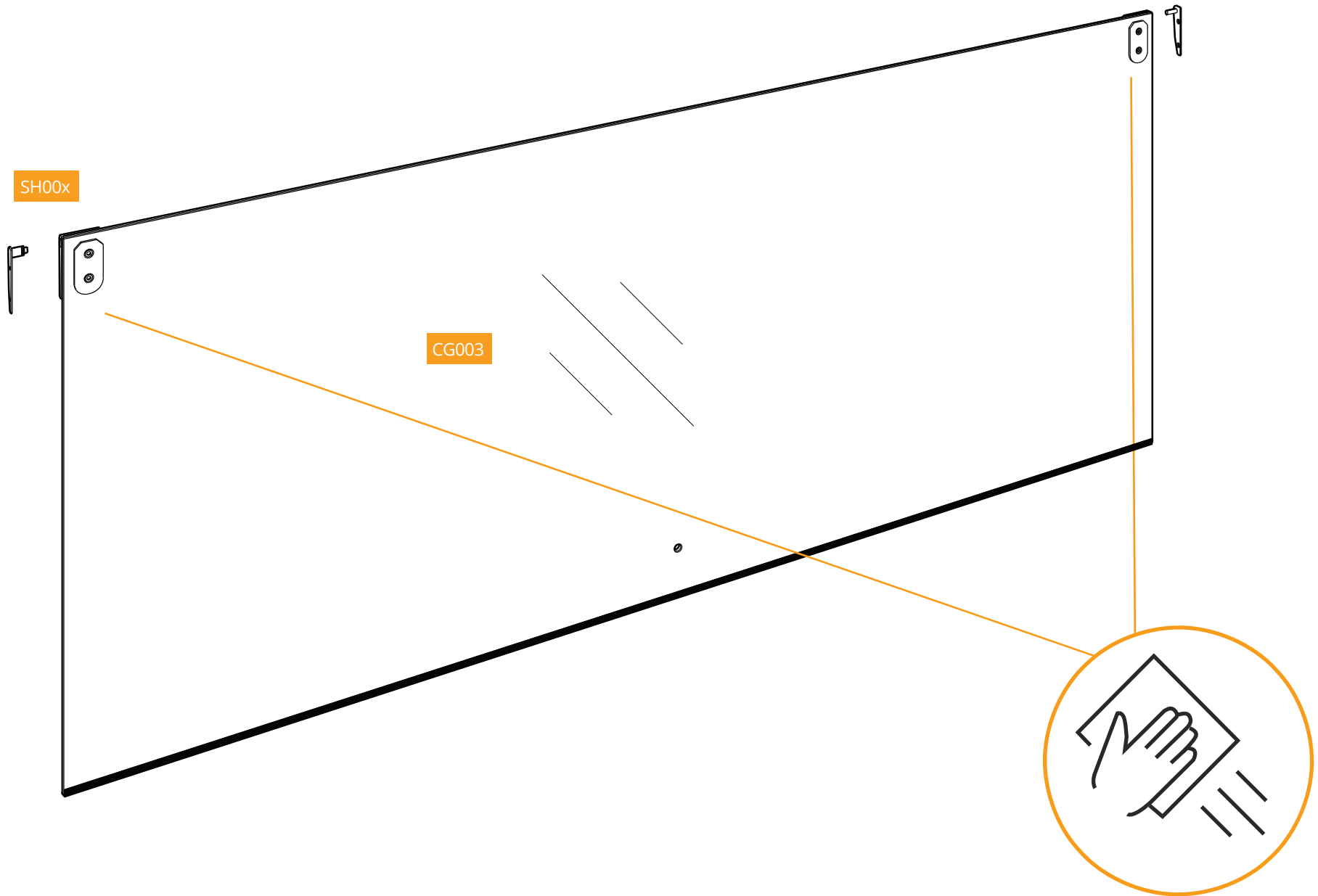
EP106







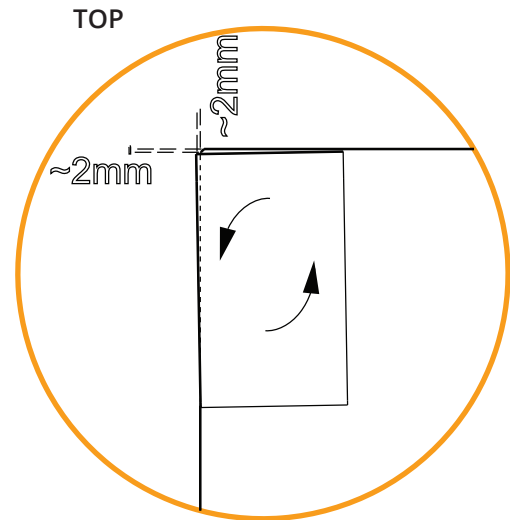
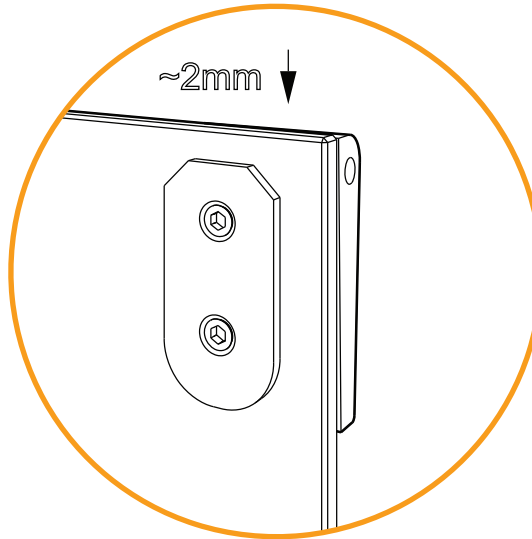
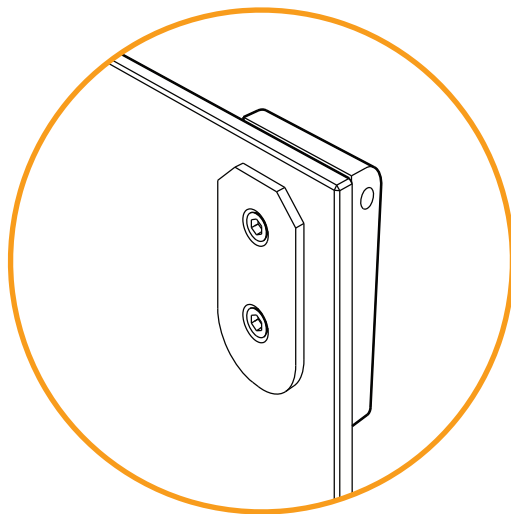
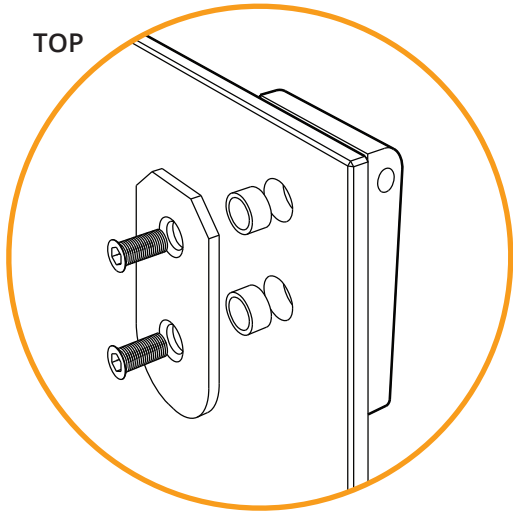




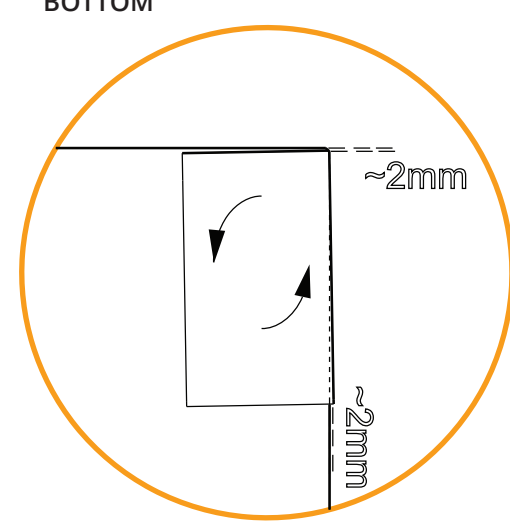
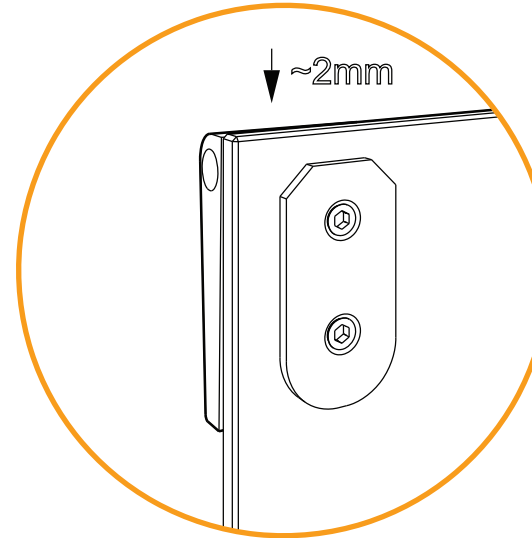
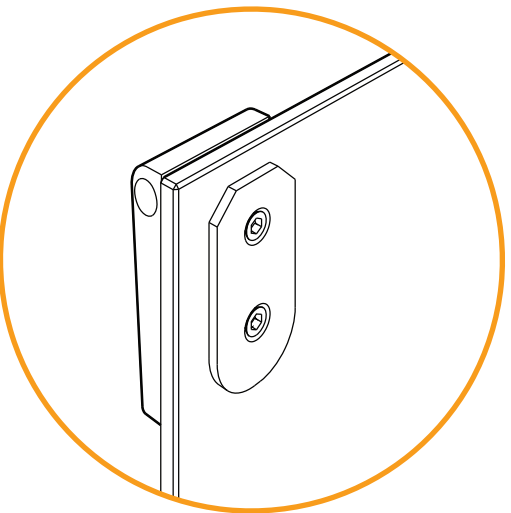
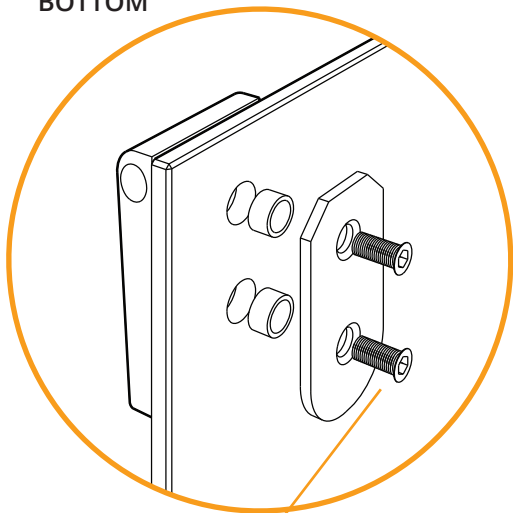
x2

Clean the glass before assembling the hinges.

TOP

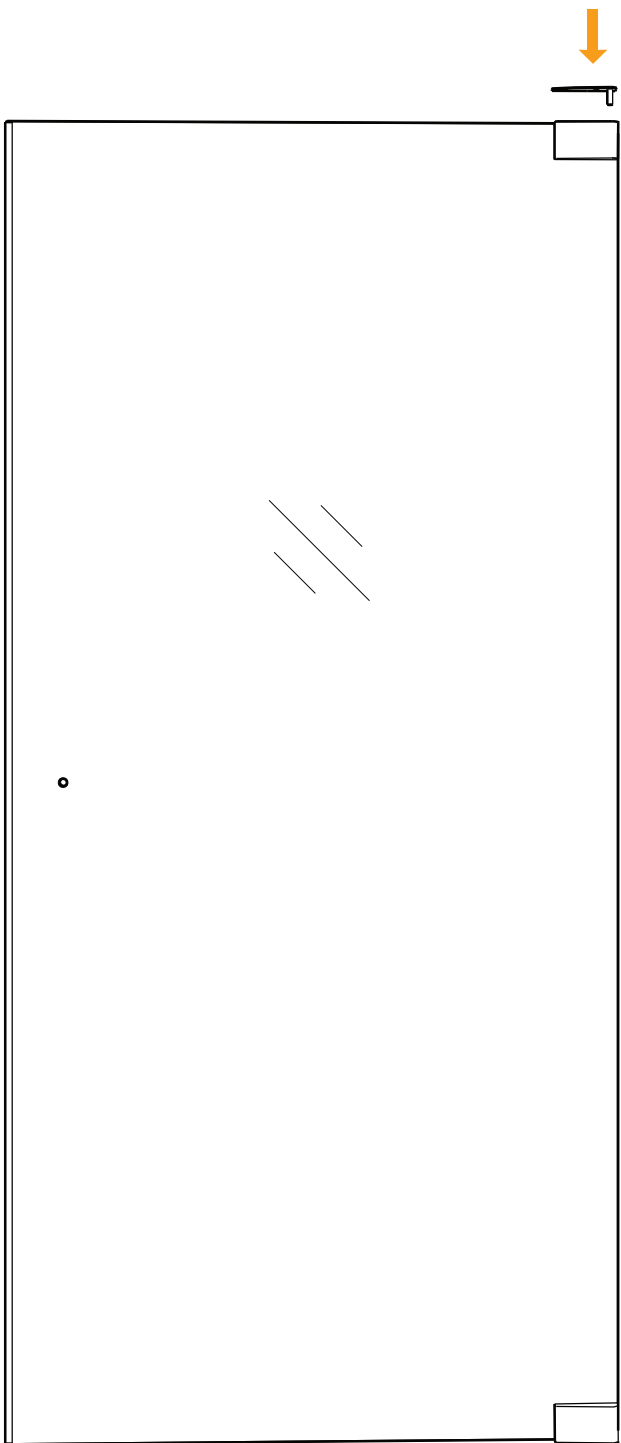


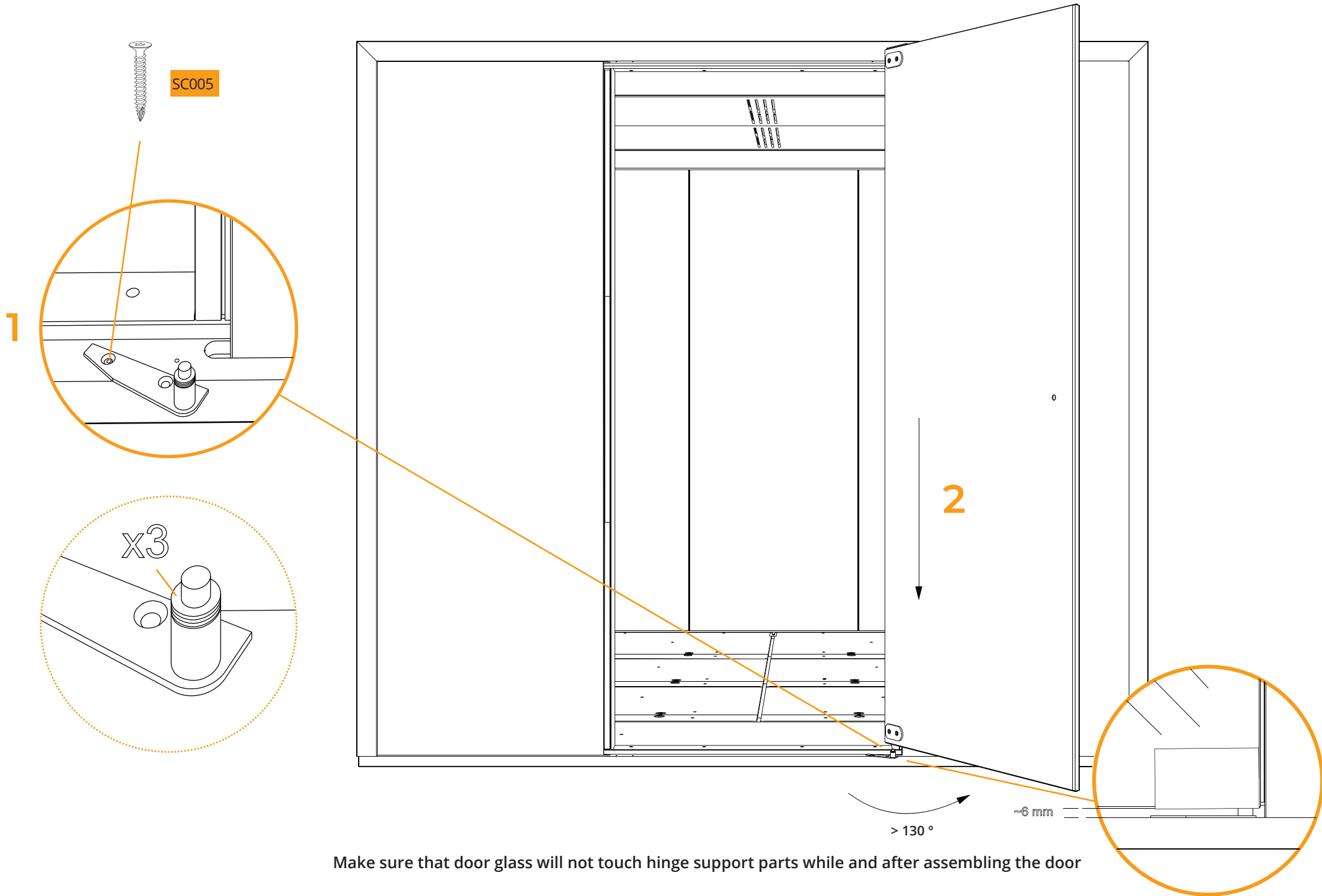
BOTTOM



Never use drilling machine to tighten hinge screws

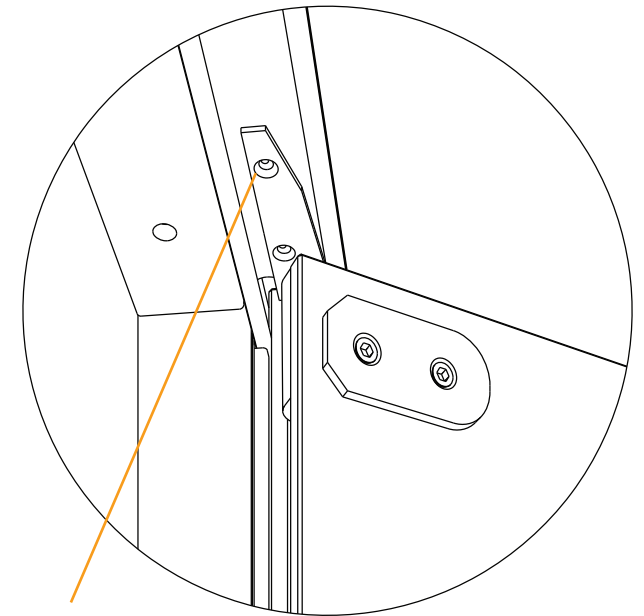
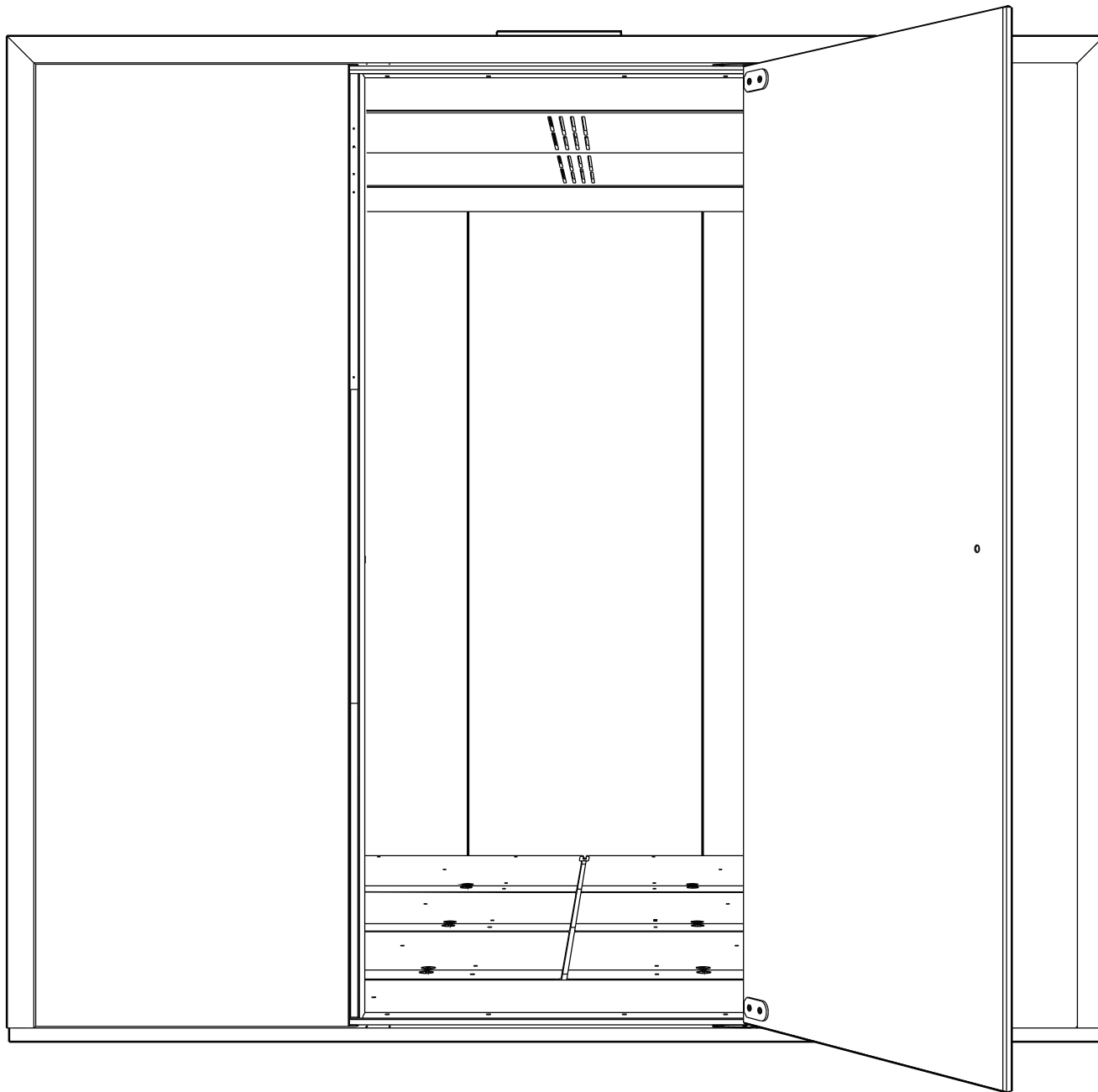
Torque = 20 Nm





Make sure that door glass will not touch hinge support parts while and after assembling the door



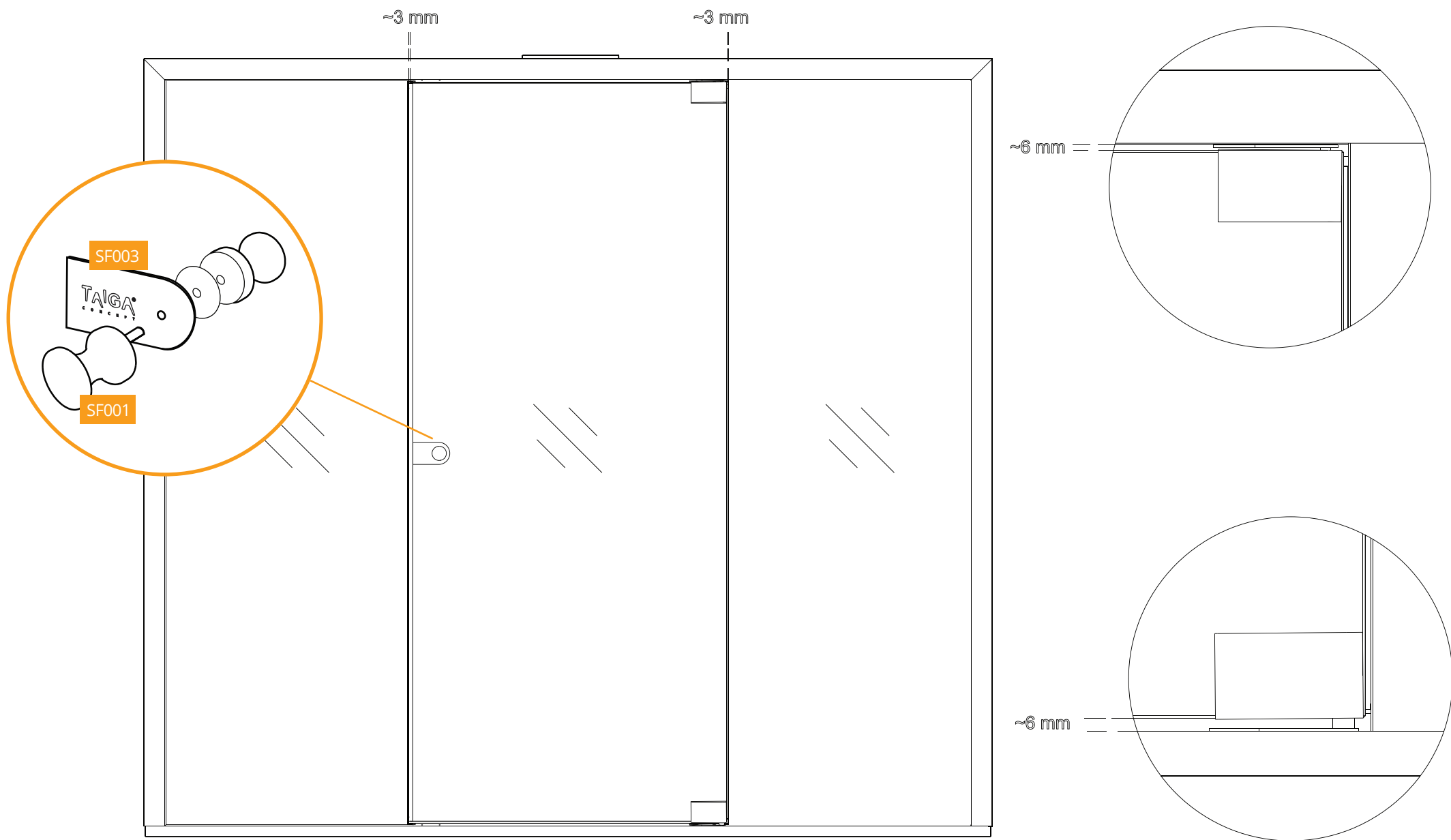


2x

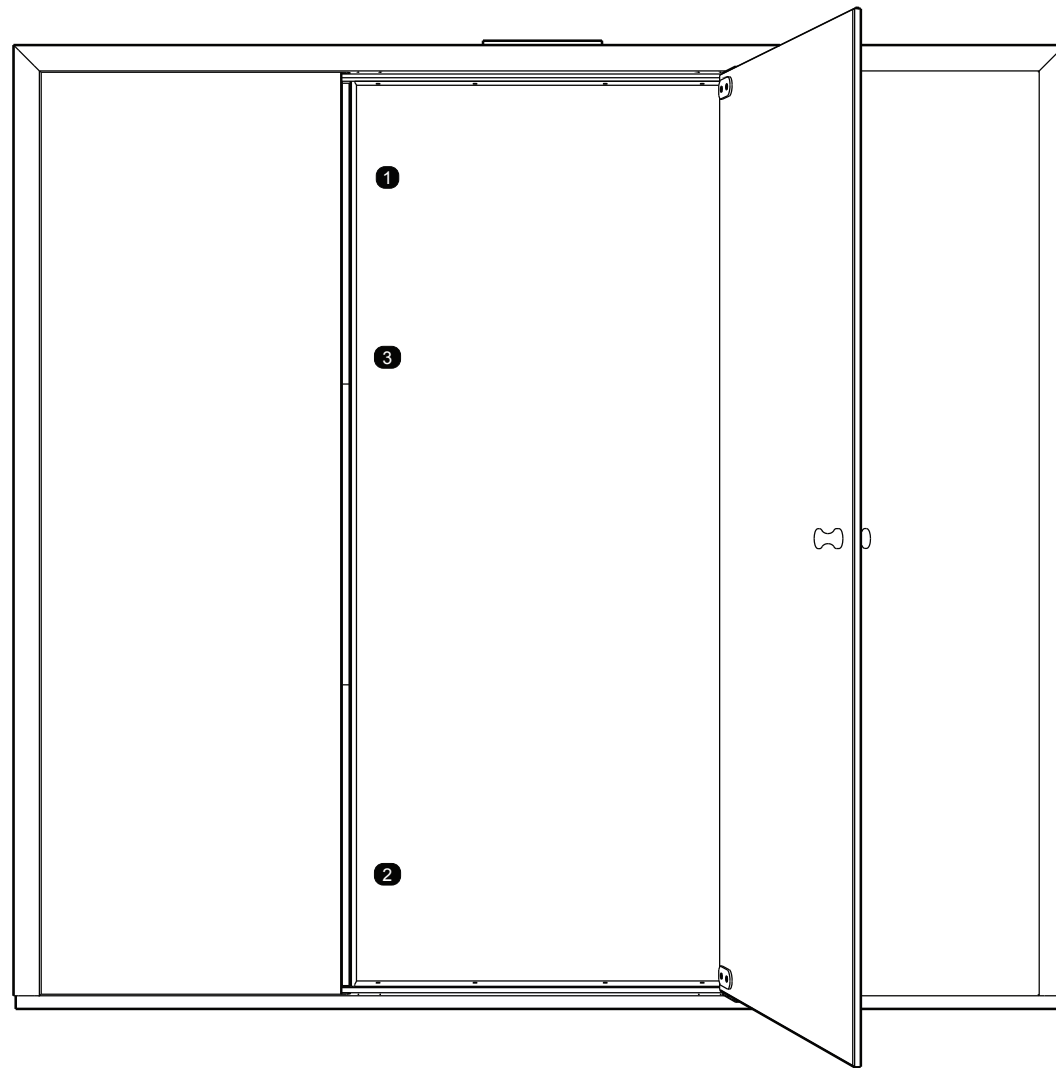
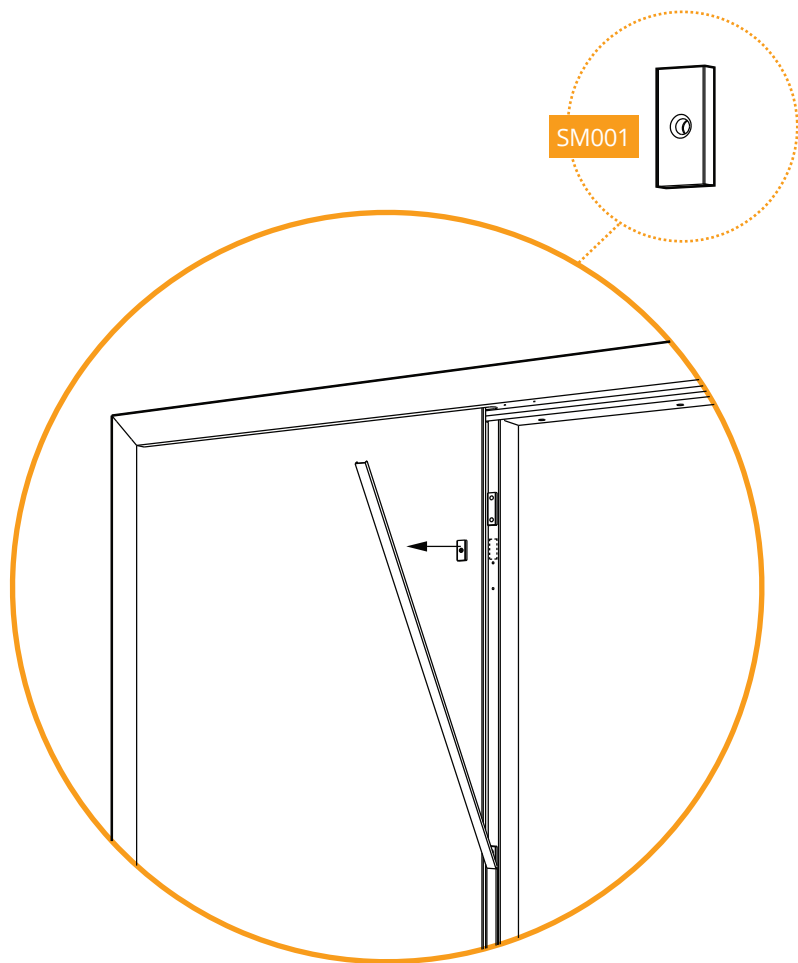
SC005



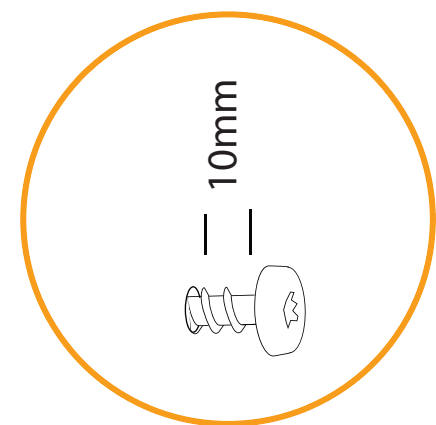
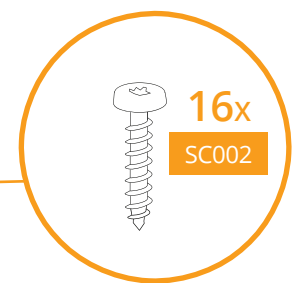
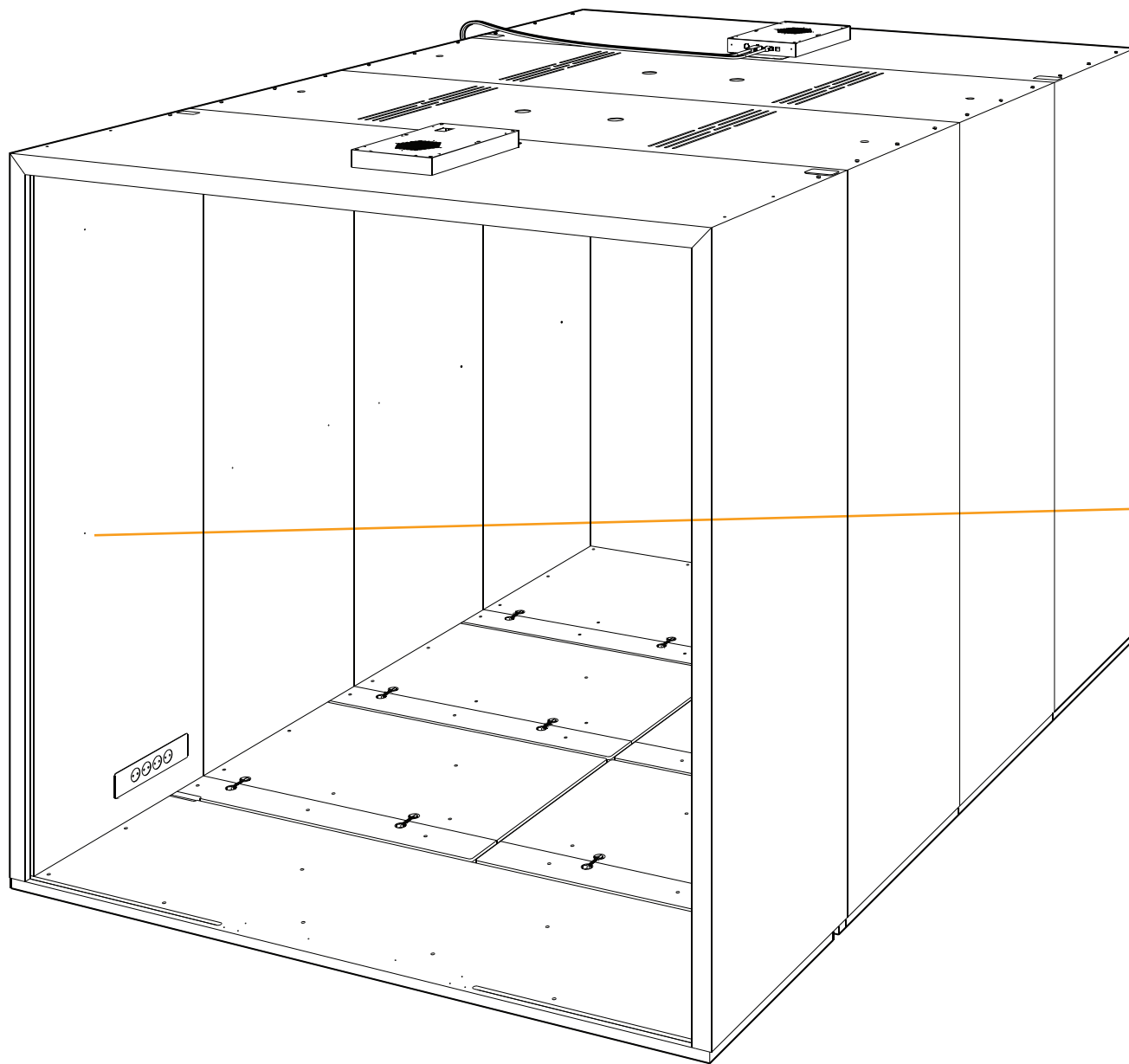
> 130 °

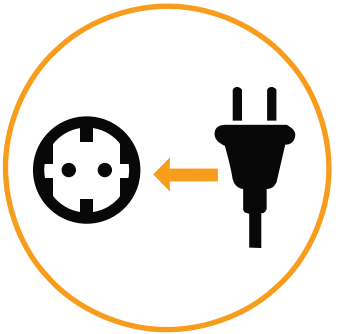
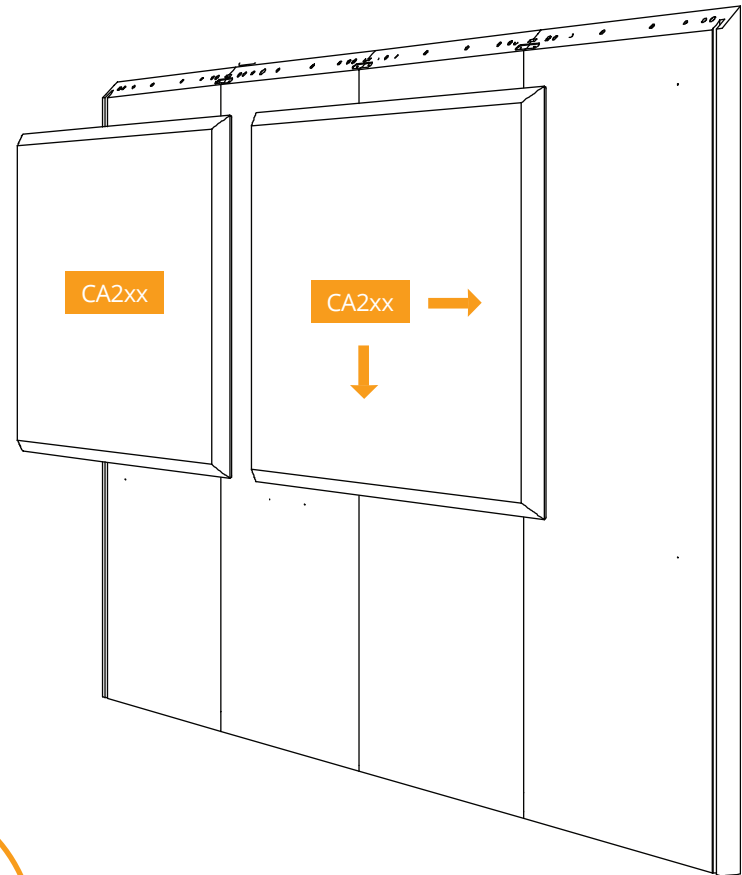
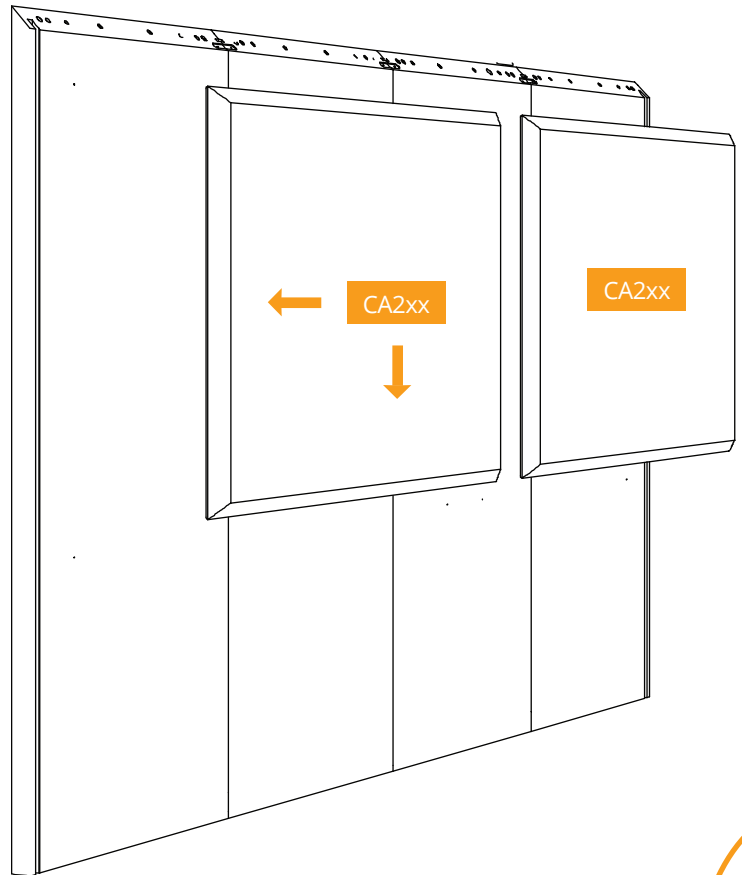


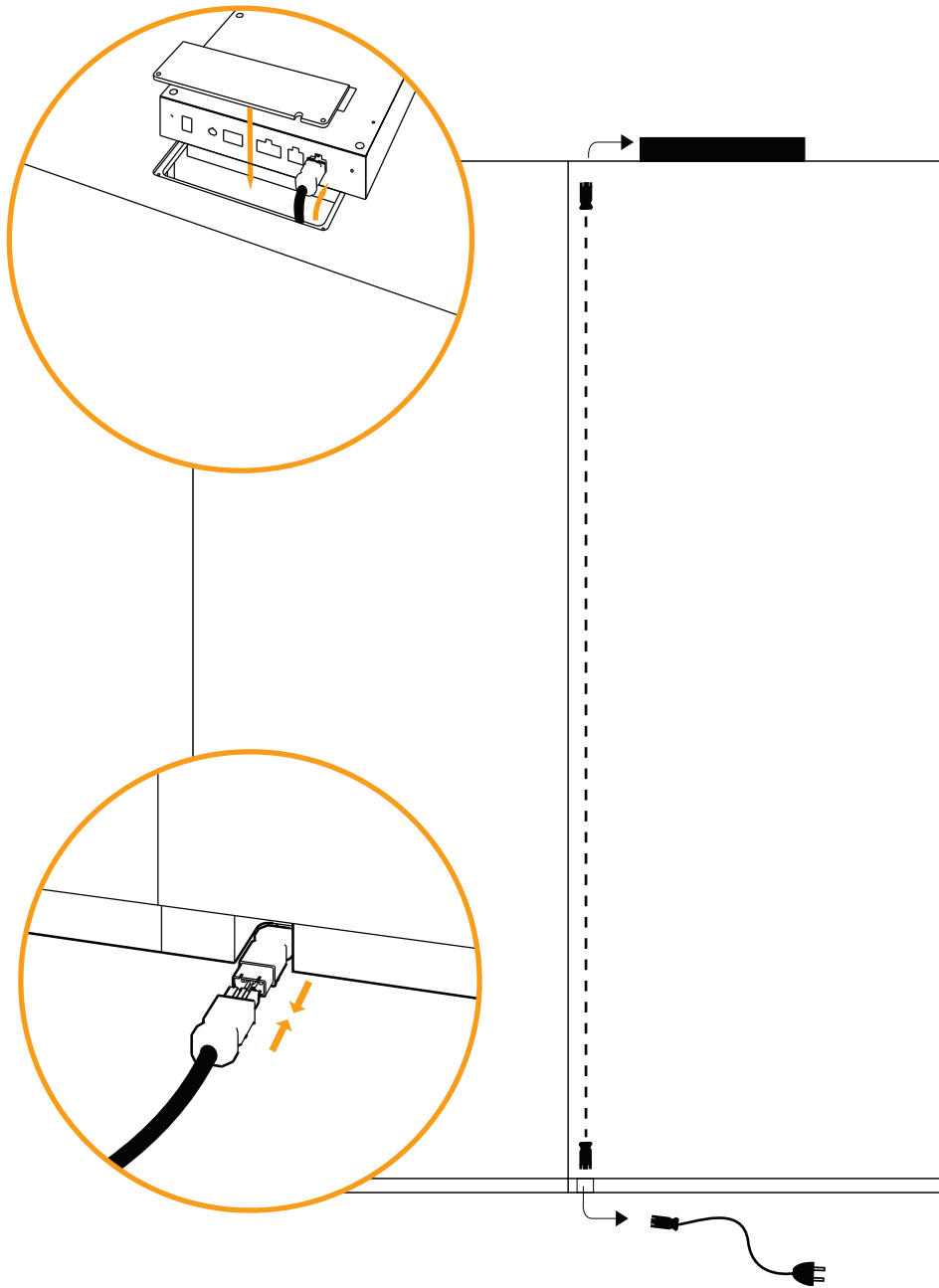
Turn on the ventilation, check each side and corner of the door by hand that there is no air leaks



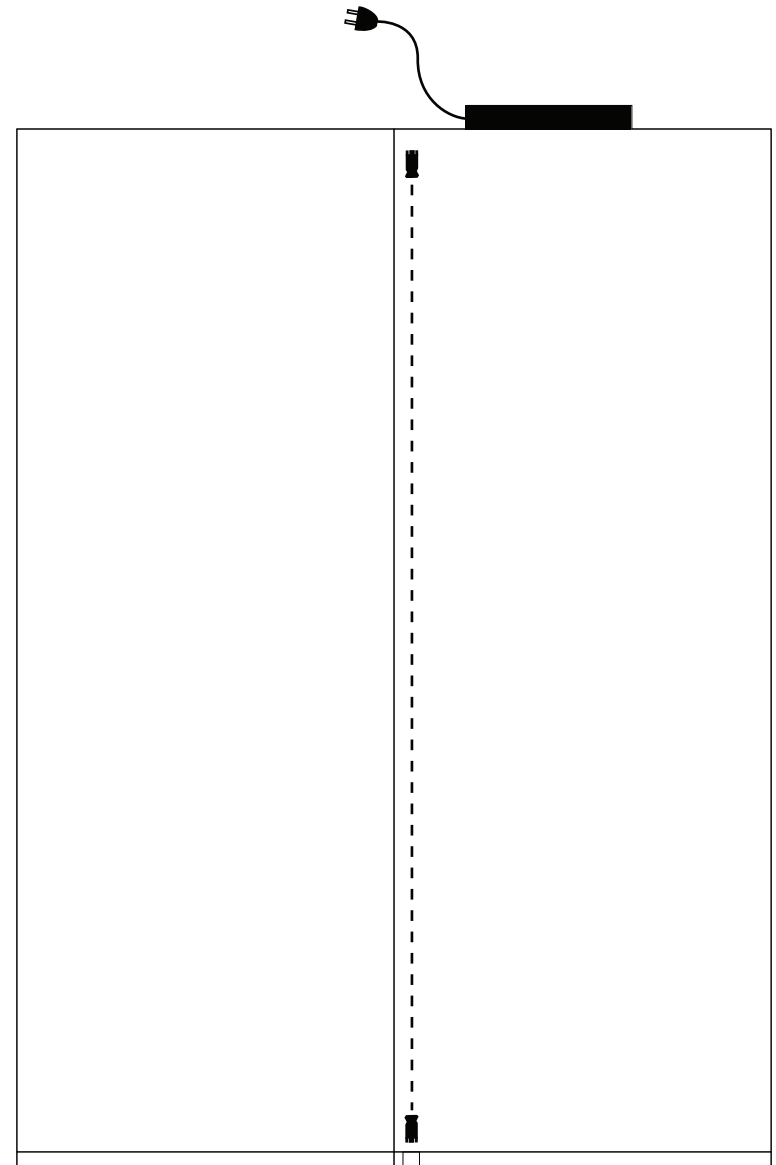
To increase magnetic strength add small magnets to metallic strip (no screws required)



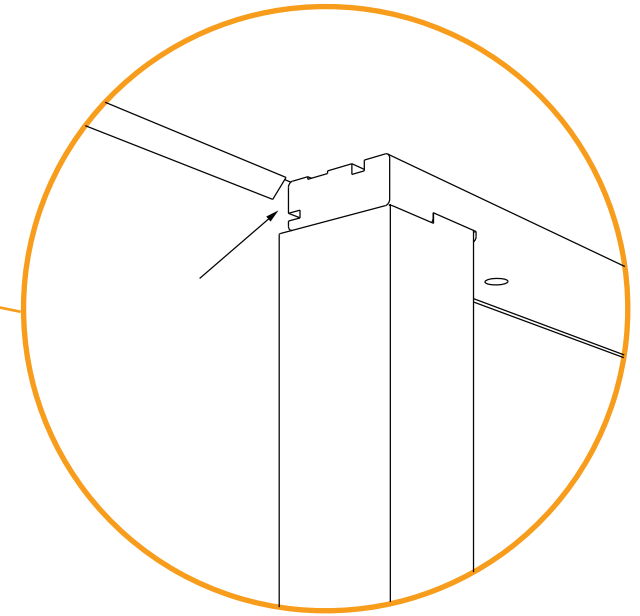
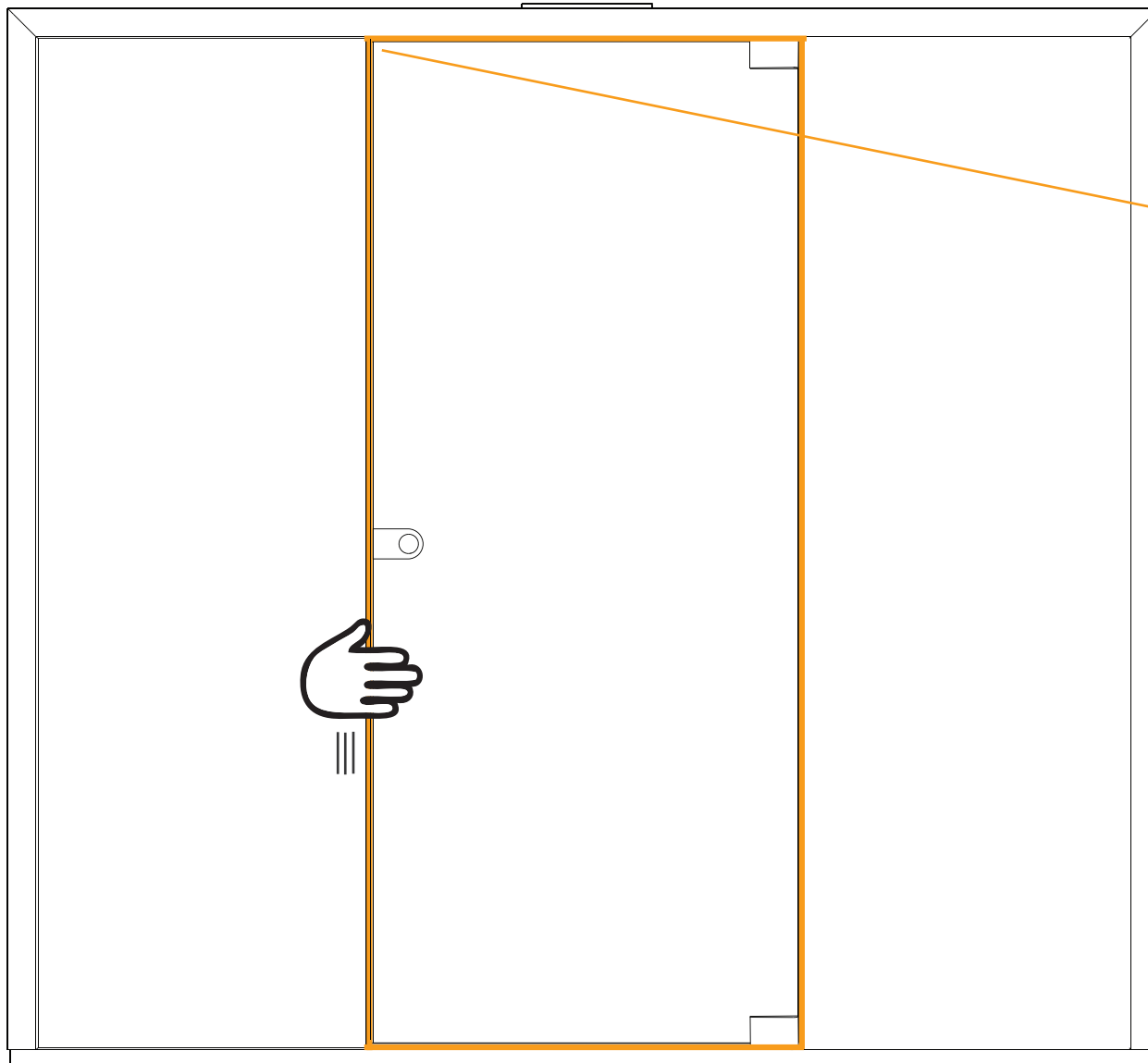




Option 1: Powercord assembled from floor level



Option 2: Powercord assembled from roof level



fill the holes with rubber seal SR006

Turn on the ventilation, check each side and corner of the door by hand that there is no air leaks  
Check if there is any air leak between frames and elements/glasses.  
Check that door glass touches the seals when door is closed

[www.taigaconcept.fi](http://www.taigaconcept.fi)

Assembly support +358 401 384 02